

HORNET® HP ROUND GLASS

3.5" SQUARE GLASS DOWNLIGHT LED INTERNATIONAL

I-HDL-HP-SG-A14
LED

APPLICATIONS:

Retail and commercial ambient lighting

CONSTRUCTION:

Die-cast optical housing
Laser cut steel trim
Extruded aluminum and die-cast heat sink
Blow molded satin opal etched glass

OPTICS:

LED:
Color Temp Options: 2200K, 2700K, 3000K, 3500K, 4000K
CRI: 83 typ. (2700K, 3000K, 3500K, 4000K)
90+ typ. (2200K, 2700K, 3000K)
Optional Amerlux CrispWhite technology (16W max)
R9 Value: 11 (83CRI), 55 (90+CRI)
Binning: 3 MacAdam (SDMC)
Lumen Maintenance: >70% of initial lumens @ 50,000 hrs

ELECTRICAL:

Electronic constant current LED driver, 240v
ELV & Triac dimming standard
This product complies with IEEE C62.41 for surge endurance up to 2.5KV. Amerlux® recommends using additional surge protection with this unit (supplied by others), surge damage is not covered by warranty.

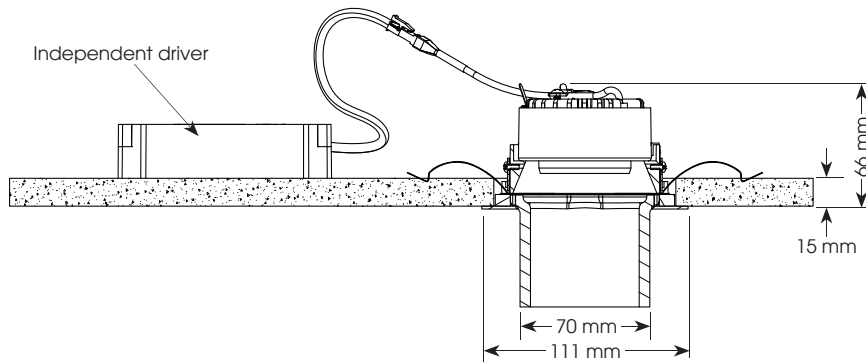
LABELING:

CE
For indoor use only



PROJECT:

TYPE:



Ceiling Cut Out Dimension: 98 mm sq.

ELECTRICAL

Electronic driver

	11W		16W		18W	
	System Watts	Amps	System Watts	Amps	System Watts	Amps
240 v	11	0.05	16	0.07	18	0.08



Electrostatic sensitive device, observe precautions for handling

98x98 mm

3 year limited warranty
AMERLUX INTERNATIONAL

(see website for details)

ORDERING INFORMATION:

Model	Wattage	Lamp Type	Voltage	Aperture Finish	Color Temp (CCT-CRI)	Listing Code	Options
I-HDL-HP-SG-A14	11 16 18	LED	240	SONA-BSS - satin opal glass with brushed stainless steel ring SONA-MW - satin opal glass with matte white ring	27 - 2700K-83 30 - 3000K-83 35 - 3500K-83 40 - 4000K-83 229 - 2200K-90+ 279 - 2700K-90+ 309 - 3000K-90+ CRISP - CrispWhite (16W max) 3CLA - 3K Class A	CE	DALI - DALI driver

Example: i-HDL-HP-SG-A14-18-LED-240-SONA-BSS-30-CE

Cat #:

Amerlux reserves the right to change details that do not affect overall function and performance.

