

HORNET® HP DOWNLIGHT

3.5" SQUARE ADJUSTABLE LED INTERNATIONAL

I-HDL-HP-
SA-A14
LED



APPLICATION:

Retail, commercial & hospitality accent/display lighting

CONSTRUCTION:

Die-cast aluminum trim ring
Die-cast aluminum seamless self-flanged trim
Spring steel retaining clips
Painted finishes include matte white and optical matte black with matte white flange

ELECTRICAL:

Electronic constant current LED driver, 240v
ELV & Triac dimming standard

This product complies with IEEE C62.41 for surge endurance up to 2.5KV. Amerlux® recommends using additional surge protection with this unit (supplied by others), surge damage is not covered by warranty.

OPTICS:

Available in a variety of beam spreads
LED:

Color Temp Options: 2200K, 2700K, 3000K, 3500K, 4000K
CRI: 83 typ. (2700K, 3000K, 3500K, 4000K)
90+ typ. (2200K, 2700K, 3000K)

Optional Amerlux CrispWhite technology (16W max)

R9 Value: 11 (83CRI), 55 (90+CRI)

Binning: 3 MacAdam (SDMC)

Lumen Maintenance: >70% of initial lumens @ 50,000 hrs

Lumen Output (at 3000K):

16W:SP 1170 typ	18W:SP 1300 typ
NF 1115 typ	NF 1239 typ
FL 1044 typ	FL 1160 typ
WF 1040 typ	WF 1156 typ

0-30° tilt, 358° rotation

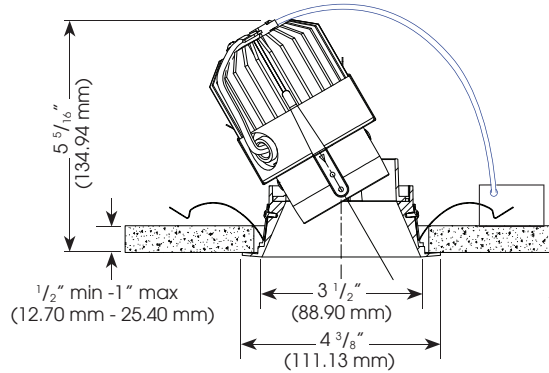
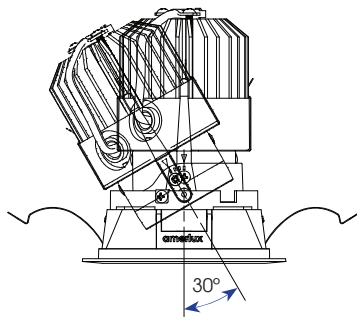
LABELING:



For indoor use only

PROJECT:

TYPE:



Ceiling Cut Out Dimension: 3 5/64" (98 mm) sq.



ELECTRICAL

Electronic driver

240 v	11W		16W		18W	
	System Watts	Amps	System Watts	Amps	System Watts	Amps
	11	0.05	16	0.07	18	0.08

ORDERING INFORMATION:

Model	Wattage	Lamp Type	Voltage	Aperture Finish	Beam Spread	Color Temp (CCT-CRI)	Listing Code	Options/Accessories
I-HDL-HP-SA-A14	11	LED	240	Reflector with White Painted Flange	SP - spot, 15°	27 - 2700K-83	CE	HEX - hexcell louver SOL - solite beam softening lens DALI - DALI driver
				MBW - matte black	NF - narrow flood, 20°	30 - 3000K-83		
	MWW - matte white	MFL - medium flood, 24°	35 - 3500K-83					
	SLVW - matte silver	FL - flood, 28°	40 - 4000K-83					
		WF - wide flood, 45°						
		VWF - very wide flood, 60°	229 - 2200K-90+					
		LS - linear spread, 60° x 10°	279 - 2700K-90+					
			309 - 3000K-90+					
			CRISP - CrispWhite (16W max)					
			3CLA - 3K Class A					

Example: I-HDL-HP-SA-A14-18-LED-240-MBW-FL-30-CE

Cat #:

Amerlux reserves the right to change details that do not affect overall function and performance.



HORNET® HP DOWNLIGHT

3.5" SQUARE ADJUSTABLE LED INTERNATIONAL

I-HDL-HP-
SA-A14
LED



TYPE:



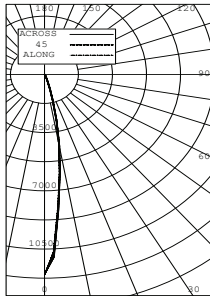
FIXTURE DATA: For 11W data, multiply by 0.62; For 16W data, multiply by 0.88

Complete photometric data (ies format) available upon request.

CCT Conversion Factor: 2700K-83 = 0.96; 3500K-83 = 1.02; 4000K-83 = 1.04; 2200K-90+ = 0.71; 2700-90+ = 0.80; 3000K-90+ = 0.83; CRISP = 0.65; 3CLA = 0.75

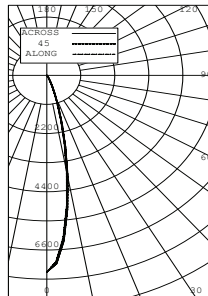
18W LED 3000K-83

SPOT
DISTRIBUTION
LTL # 818193



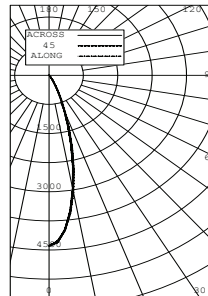
Candelas at Nadir	
Deg	Candela
0	12031
5	7996
15	1673
25	203
35	40
45	3

NARROW FLOOD
DISTRIBUTION
LTL # 818194



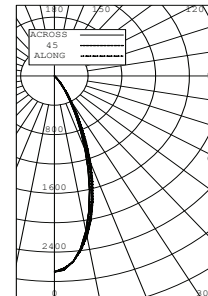
Candelas at Nadir	
Deg	Candela
0	7431
5	6154
15	1767
25	279
35	53
45	5

FLOOD
DISTRIBUTION
LTL # 818196



Candelas at Nadir	
Deg	Candela
0	4396
5	3992
15	1958
25	503
35	86
45	6

WIDE FLOOD
DISTRIBUTION
LTL # 818238

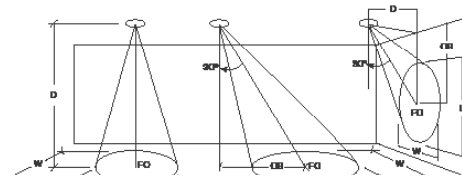


Candelas at Nadir	
Deg	Candela
0	2669
5	2537
15	1759
25	763
35	177
45	9

APPLICATION DATA:

Notes and Definitions:

Beam spread is to 50% center beam candlepower (CBCP).
 D=Distance to floor or wall.
 FC=Footcandles on floor or wall at center beam aiming location.
 L=Effective Visual Beam length in feet (50% of maximum footcandle level).
 W=Effective Visual Beam width in feet (50% of maximum footcandle level).
 CB=Distance across or down to center beam location.



0° Aiming Angle
Horizontal
Footcandles

	D	FC	L		W	
			Horizontal	Vertical	Horizontal	Vertical
SPOT	5.0'	281	1.9	1.9	1.9	1.9
	7.5'	156	2.6	2.6	2.6	2.6
	10.0'	98	3.2	3.2	3.2	3.2
	12.5'	66	3.7	3.7	3.7	3.7
NARROW FLOOD	5.0'	215	2.2	2.2	2.2	2.2
	7.5'	112	3.0	3.0	3.0	3.0
	10.0'	67	3.7	3.8	3.8	3.8
	12.5'	44	4.6	4.7	4.7	4.7
FLOOD	5.0'	151	2.6	2.6	2.6	2.6
	7.5'	73	3.6	3.5	3.5	3.5
	10.0'	43	4.8	4.7	4.7	4.7
	12.5'	28	5.9	5.8	5.8	5.8
WIDE FLOOD	5.0'	95	3.3	3.3	3.3	3.3
	7.5'	45	4.9	4.6	4.6	4.6
	10.0'	26	6.4	6.0	6.0	6.0
	12.5'	17	7.9	7.4	7.4	7.4