

HORNET® HP DOWNLIGHT

3.5" ROUND LENSED WALL WASH LED INTERNATIONAL

I-HDL-HP-RLW-A14
LED



APPLICATIONS:

Retail and commercial wall wash lighting

CONSTRUCTION:

20 ga. galvanized steel frame
18 ga. galvanized steel splice housing and hanger brackets
Die-cast trim, extruded aluminum heat sink
Optic can be rotated to any position

ELECTRICAL:

Electronic constant current LED driver, 240v input
ELV and Triac dimming standard
This product complies with IEEE C62.41 for surge endurance up to 2.5KV. Amerlux® recommends using additional surge protection with this unit (supplied by others), surge damage is not covered by warranty.

OPTICS:

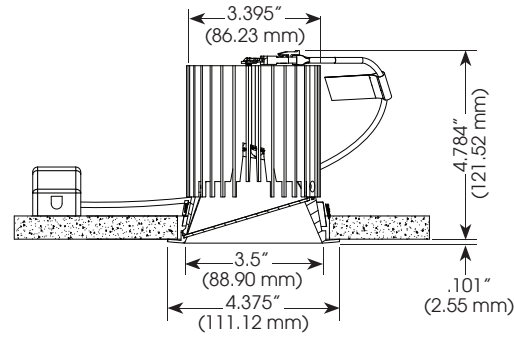
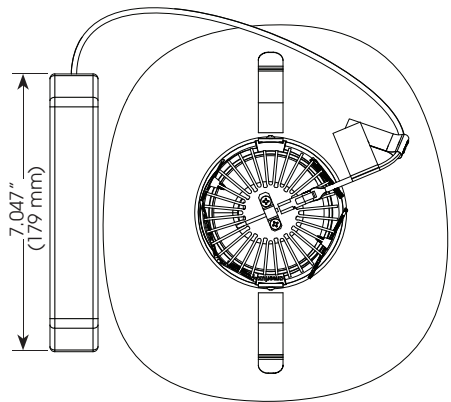
High reflectance, highly diffuse mixing chamber
Engineered nano technology lens provides transmission while concealing LED image
LED:
Color Temp Options: 2200K, 2700K, 3000K, 3500K, 4000K
CRI: 83 typ. (2700K, 3000K, 3500K, 4000K)
90+ typ. (2200K, 2700K, 3000K)
Optional Amerlux CrispWhite technology
R9 Value: 11 (83CRI), 55 (90+CRI)
Binning: 3 MacAdam (SDMC)
Life: 50,000 hrs
Lumen Maintenance: >70% of initial lumens @ 50,000 hrs
Lumen Output (at 3000K):
14W: 1084 lm 21W: 1558 lm

LABELING:

CE pending
Damp location (standard)
Wet location option

PROJECT:

TYPE:



Ceiling Cut Out Dimension: **3.858" (98 mm)**



98 mm

ELECTRICAL

Electronic driver		14W		21W	
System		System		System	
Watts		Amps		Watts	
240V		14 0.06		21 0.09	

3 year limited warranty
AMERLUX INTERNATIONAL
(see website for details)

ORDERING INFORMATION:

Model	Wattage	Lamp Type	Voltage	Aperture Finish	Color Temp (CCT-CRI)	Listing Code	Options
I-HDL-HP-RLW-A14	14 21	LED	240	<u>Reflector with White Painted Flange</u>		CE	WET - wet location DALI - DALI driver
				MBW - matte black			
	MWW - matte white			30 - 3000K-83			
	SLVW - matte silver			35 - 3500K-83			
				40 - 4000K-83			
	<u>Reflector with Black Painted Flange</u>			229 - 2200K-90+			
	MBB - matte black			279 - 2700K-90+			
				309 - 3000K-90+			
	<u>Reflector with Silver Painted Flange</u>			CRISP - CrispWhite			
	SLVS - matte silver			3CLA - 3K Class A			

Example: I-HDL-HP-RLW-A14-21-LED-240-MWW-30-CE

Cat #:

Amerlux reserves the right to change details that do not affect overall function and performance.



HORNET® HP DOWNLIGHT

3.5" ROUND LENSED WALL WASH LED INTERNATIONAL

I-HDL-HP-
RLW-A14
LED



TYPE:



FIXTURE DATA: For 14W data, multiply by 0.67

Complete photometric data (ies format) available upon request.

CCT Conversion Factor: 2700K-83 = 0.96; 3500K-83 = 1.02; 4000K-83 = 1.04; 2200K-90+ = 0.71; 2700-90+ = 0.80; 3000K-90+ = 0.83; CRISP = 0.65; 3CLA = 0.75

Hornet HP Round Lens Wall Washer 21W LED 3000K-83

Source: LED with frosted plastic optic Lumens: 1558

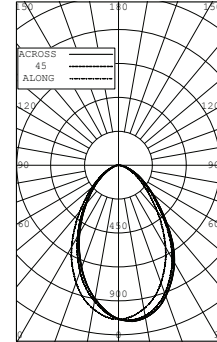
Recessed

ZONAL LUMEN SUMMARY

Zone	Lumens	%Fixt
0-30	683	43.85
0-40	1005	64.53
0-60	1411	90.60
0-90	1558	100.00
40-90	553	35.47
60-90	146	9.40
90-180	0	0.0
0-180	1558	100.00

Luminaire Efficacy: 68.9 lumens/watt

LTL# 631078



APPLICATION DATA:

Footcandles on Wall

Footcandles are average and rounded off.
Data for multiple units are based on a minimum of five units.

1.5 Feet From Wall

Distance from ceiling	1.5' Spacing				
	0.5'	1.5'	2.5'	3.5'	4.5'
0.5'	48	50	50	50	48
1.5'	94	99	100	99	91
2.5'	88	94	95	94	88
3.5'	60	66	68	66	61
4.5'	40	44	46	45	41
5.5'	28	31	32	31	29
6.5'	21	23	23	23	21
7.5'	16	17	18	17	16

1.5 Feet From Wall

Distance from ceiling	2' Spacing						
	0.5'	1.5'	2.5'	3.5'	4.5'	5.5'	6.5'
0.5'	37	40	37	40	37	40	36
1.5'	72	77	75	78	74	77	72
2.5'	69	73	74	75	74	73	69
3.5'	48	52	54	54	54	52	49
4.5'	33	36	37	38	37	36	33
5.5'	23	26	27	27	27	26	24
6.5'	17	19	20	20	20	19	18
7.5'	14	15	16	16	16	15	14

2 Feet From Wall

Distance from ceiling	2' Spacing						
	0.5'	1.5'	2.5'	3.5'	4.5'	5.5'	6.5'
0.5'	21	23	22	23	23	22	22
1.5'	48	51	51	52	51	51	48
2.5'	56	59	61	61	61	60	56
3.5'	47	51	52	53	53	51	47
4.5'	36	39	41	41	41	39	36
5.5'	27	29	31	31	31	29	27
6.5'	21	22	24	24	24	23	21
7.5'	16	18	19	19	19	18	16