

# Hornet® HP

## Round Downlights



Downlight



Downlight (Millwork version shown)



Adjustable (Trimless)

### Features

Small in size but big on performance. The Hornet® downlights deliver the output of the 20W ceramic metal halide, but with the control and crisp color of the MR16 halogen. 3.5" round trim available as a fixed downlight, adjustable, pinhole adjustable or pinhole adjustable slot aperture. Remodeler, Trimless and Millwork options available.

### Product Overview

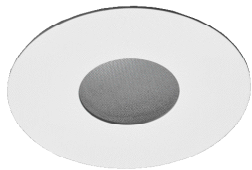
Type:	Recessed Round Downlight
Wattage:	13, 18, 20
Lumen Output:	1,323 max; 66 Lm/W (spot optic)
CBCP:	12,508 max (spot optic)
Color Temp:	2200K, 2700K, 3000K, 3500K, 4000K
CRI:	83 typ. (2700K, 3000K, 3500K, 4000K) 90+ typ. (2200K, 2700K, 3000K, 3500K, 4000K) CrispWhite (18W max) & 3K Class A available
Dimming:	TRIAC & ELV (120/277VAC) - 5% Dim Lutron Hi-lume® H Series/EcoSystem - 1% dim with soft on, fade to black, 120/277VAC 0-10V (120/277VAC) - 1% Dim DALI (120/277VAC) - 1% Dim

### PROJECT:

### TYPE:



Pinhole Adjustable



Pinhole Adjustable Shower



Pinhole Adjustable Slot

### Fixture Type

Round/Square	New Construction	Remodeler	Trim	Trimless	Millwork
Yes	Yes	Yes	Yes	Yes	Yes

See separate spec sheet for Square trims

### Performance Chart

Watts	Delivered Lumens	LPW	CBCP	Color Temp
13	860	66	8,130	3000K-83
18	1,191	66	11,257	3000K-83
20	1,323	66	12,508	3000K-83

Data is based on 3000K-83 IES files available on website  
Data is based on Spot optic. See pages 6-9 for other beam spreads  
All wattage and LPW includes 2W thermal protector

### Electrical Data

	13W		18W		20W	
	System Watts	Amps	System Watts	Amps	System Watts	Amps
120V	13	0.11	18	0.15	20	0.17
277V	13	0.05	18	0.06	20	0.07

Electronic constant current LED driver



**PROJECT:**

**TYPE:**

**Housing/Frame Ordering Information**

1	2	3	4	5	6
<p><b>1</b> <u>Model</u> For New Construction HDL-HP-R-NC-A17<sup>†</sup> (New Construction) HDL-HP-R-CP-A17<sup>†</sup> (Chicago Plenum (OCEA) housing) HDL-HP-R-IC-A17<sup>†*</sup> (Insulated Ceiling/air tight, 13W &amp; 18W only) For Existing Ceilings HDL-HP-R-REM-A17<sup>†</sup> (Remodeler)</p>	<p><b>2</b> <u>Style</u> T - trimmed TL - trimless MWK<sup>®</sup> - millwork (for 1/2" - 11/16" ceiling thickness) MWK1<sup>®</sup> - millwork (for 3/4" - 1-1/2" ceiling thickness) MWK2<sup>®</sup> - millwork (for 1-1/2" - 2" ceiling thickness) <sup>®</sup> Not available for use with Remodeler model</p>	<p><b>3</b> <u>Wattage</u> 13* 18* 20 (not available for use with IC housing)</p>	<p><b>4</b> <u>Voltage</u> 120 277 120/277 (for use with IC housing only)</p>	<p><b>5</b> <u>Driver</u> (for non-dimming, select LE/TE option) LE/TE* - TRIAC/ELV dimming HILUME-H-ECO - Lutron Hi-lume<sup>®</sup> H Series, EcoSystem, 1% dim with soft on, fade to black 0-10V* - 0-10V dimming, 1% dim DALI - DALI dimming, 1% dim</p>	<p><b>6</b> <u>Options/Accessories</u> EM - emergency battery pack with remote test switch (not available for use with REM, CP or IC options) HB49 - hanger bars from min 29" to max 49" (not available for use with REM options)</p>

**Trim Ordering Information**

1	2	3	4	5	6
<p><b>1</b> <u>Model</u> HDL-HP-RD-A17<sup>†</sup> (downlight) HDL-HP-RA-A17<sup>†</sup> (adjustable) HDL-HP-RPA-A17<sup>†</sup> (pinhole adjustable) HDL-HP-RPAS-A17<sup>†</sup> (pinhole adjustable slot) HDL-HP-RPASHW-A17<sup>†</sup> (shower, not available in trimless)</p>	<p><b>2</b> <u>Style</u> T - trimmed TL - trimless (not for use with RPASHW trim) MWK - millwork (not available for use with RPASHW trim)</p>	<p><b>3</b> <u>Finish - RD/RA Trims:</u> <u>Trimmed</u> MBW - matte black, white flange MWW - matte white, white flange SLVW - matte silver, white flange MBB - matte black, black flange SLVS - matte silver, silver flange <u>Trimless/Millwork</u> MB - matte black MW - matte white SLV - matte silver PC* - polished chrome BN* - brushed nickel</p>	<p><b>4</b> <u>Beam Spreads</u> RD/RA RPA/RPAS/RPASHW SP* SP* NF* NF* MFL* MFL* FL* FL* WF* VWF* LS SP - spot 15°, NF - narrow flood 22°, MFL - medium flood 25°, FL - flood 28°, WF - wide flood 45°, VWF - very wide flood 60°, LS - linear spread lens 60° x 10°</p>	<p><b>5</b> <u>Color Temp</u> 83 CRI 90+ CRI 27 - 2700K-83 229 - 2200K-90+ CRISP - CrispWhite (18W max) 30 - 3000K-83 279* - 2700K-90+ 35 - 3500K-83 309* - 3000K-90+ 3CLA - 3K Class A 40 - 4000K-83 359 - 3500K-90+ 409 - 4000K-90+</p>	<p><b>6</b> <u>Options/Accessories</u> HEX - hexcell louver (not available for use with RPASHW trim) SOL - solite beam softening lens (comes standard with RPASHW trim)</p>

\* Consult factory for availability with RPASHW trim, not available for use with MWK

\* Title 24 Compliant

† The "A" refers to the sequential revision in a year and "XX" refers to the year of update. Updates coincide with improved performance while not changing the overall fixture aesthetic and are reflected in the published performance data. Please contact your Amerlux representative for explanations of changes.

# Hornet® HP

Round Downlights



## PROJECT:

## TYPE:

### Specifications

#### Application

Retail and commercial ambient, accent & display lighting

#### Construction

- 20 ga. galvanized steel frame
- 18 ga. galvanized steel splice housing and hanger brackets (not for Remodeler version)
- Cast aluminum plaster frame with perforated face (for trimless version only)
- Die-cast optical housing and trim
- Die-cast heat sink

#### Optical

- Tilt: 0-30° (RA/RPAS trims), 0-20° (RPA/RPASHW trims)
- Beam spreads: Spot, 15°; Narrow Flood, 22°; Medium Flood, 25°; Flood, 28°; Wide Flood, 45°; Very Wide Flood, 60°; Linear Spread, 60° x 10°

#### LED

- Color Temp Options: 2200K, 2700K, 3000K, 3500K, 4000K
- CRI: 83 typ. (2700K, 3000K, 3500K, 4000K)  
90+ typ. (2200K, 2700K, 3000K, 3500K, 4000K)
- CrispWhite\* LED available, 18W max
- Class A\*\* 3000K (high CRI, high gamut)
- R9 Values: 11 (83 CRI), 55 (92 CRI)
- Binning: 3 MacAdam (SDCM)
- Life: 50,000+ hrs, > 70% of initial lumens at 50,000 hrs
- \*CrispWhite: CrispWhite Technology delivers the warmth of colors expected from a high 90 CRI solution but also creates the natural crisp white color that is pleasing to the eye. It creates the most impactful lighting ever available, by revealing the richest whites and vibrant colors that pop.*
- \*\*Class A LED: Class A LED's have a CRI > 80 and a GAI > 80. CRI defines color "Naturalness" and GAI defines color "Saturation." Both being high delivers rich colors and pure whites.*

#### Electrical

- Wattage: 13, 18, 20
- Electronic constant current LED driver, 120/277VAC input
- This product complies with IEEE C62.41 for surge endurance up to 2.5KV. Amerlux® recommends using additional surge protection with this unit (supplied by others), surge and over voltage damage is not covered under warranty.**
- Note: Drivers are universal but thermal protector is voltage specific**

#### Drivers

- LE/TE - Leading Edge, TRIAC, forward phase/Trailing Edge, ELV, reverse phase
- 0-10V, Lutron and DALI systems also available
- See pages 12-14 for more dimming information

#### Finish

- Powder coat paint/wet paint
- Consult factory for custom finishes

#### Mounting

- 26" Hanger bars included (except for Remodeler versions)
- Optional **HB49** - hanger bars from min 29" to max 49" available

#### Trimmed Fixture:

For use in grid or sheetrock ceilings, 5/8" - 2" standard

#### Trimless Fixture (not available with Shower trim):

For use in sheetrock ceilings, max ceiling thickness 5/8"

#### Millwork Fixture:

Millwork extension collars are based on ceiling material specifications and thickness. Provides flush trim appearance level with ceiling material. Max thickness 2"

#### Not available for use with Remodeler model

#### Certifications

- CSA damp as tested to UL 1598 standards
- IC/AT rated (optional, 13W & 18W only)
- Title 24 Compliant (see ordering page for options that apply)
- Damp location
- Wet location (RPASHW trim only)

#### Warranty

- 5 year limited warranty

#### Emergency Battery Pack (EM)

- Powers fixture at 5.1 watts (approx. 400 Lm) for 90 minutes (not for use with REM, CP or IC/AT versions)

### Accessories (diagrams show installation order)



Hexcell, optical film, solite lens

# Hornet® HP

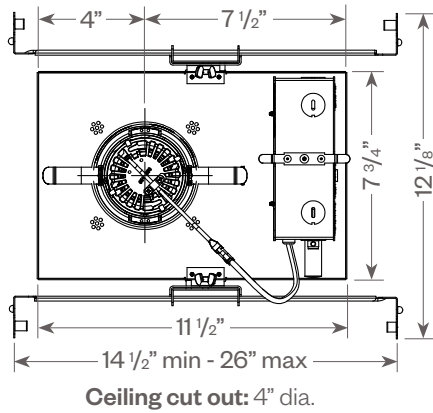
Round Downlights



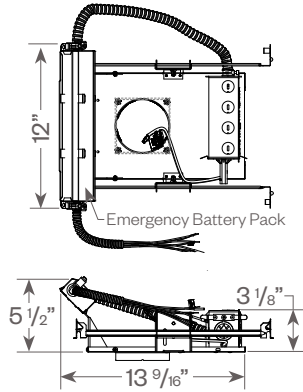
## PROJECT:

## TYPE:

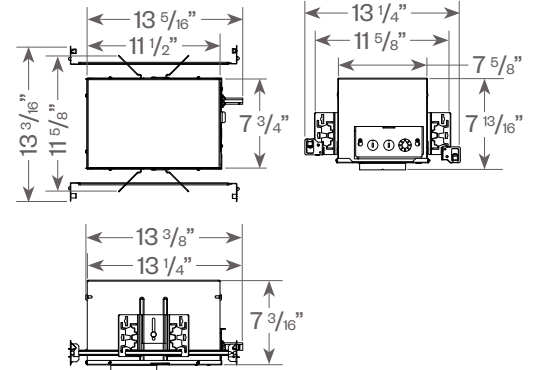
### Hornet HP Downlight: Round



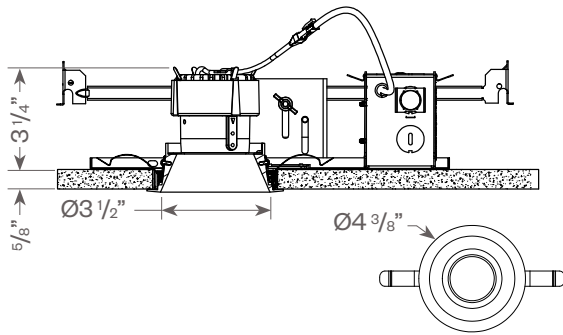
### Frame with Emergency Battery Pack



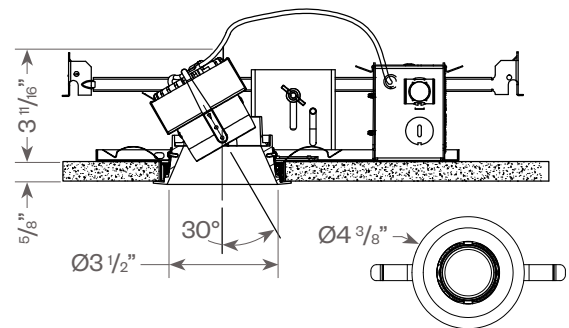
### Optional CP or IC/AT housing



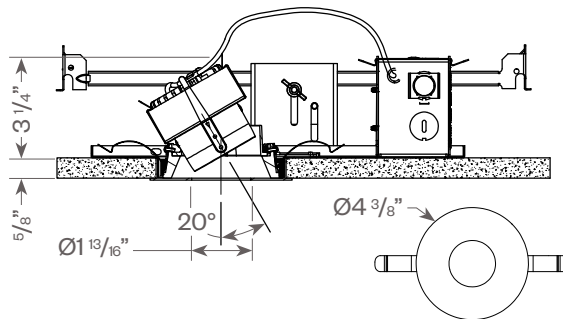
### Downlight



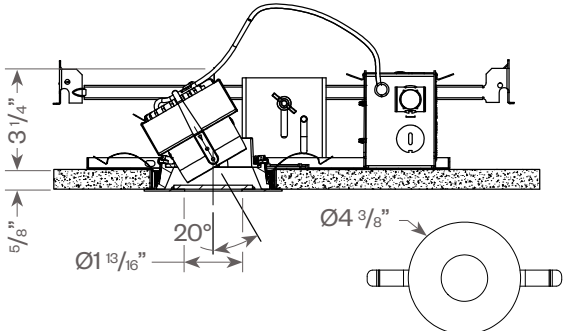
### Adjustable



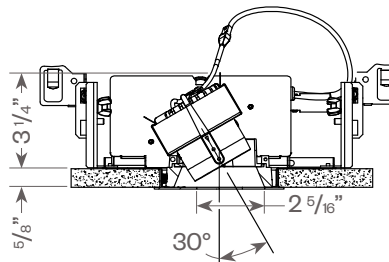
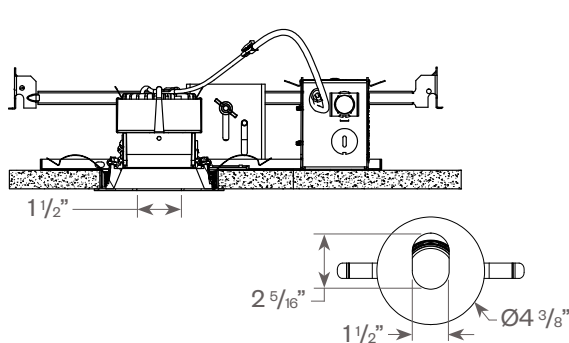
### Pinhole Adjustable



### Pinhole Adjustable Shower



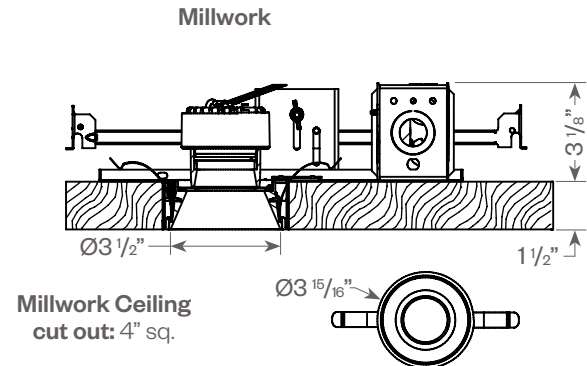
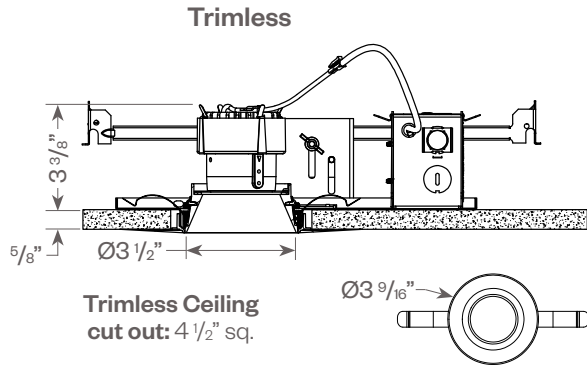
### Pinhole Adjustable Slot



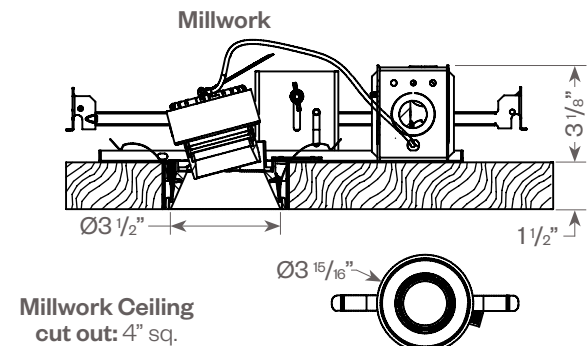
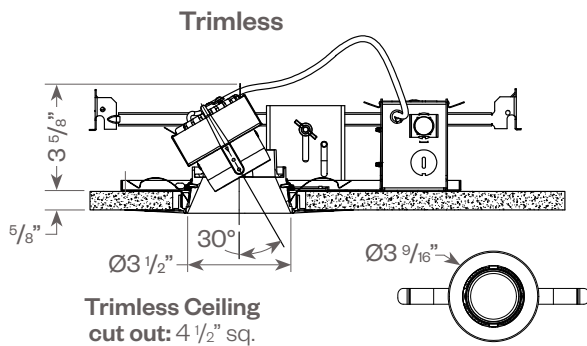
**PROJECT:**

**TYPE:**

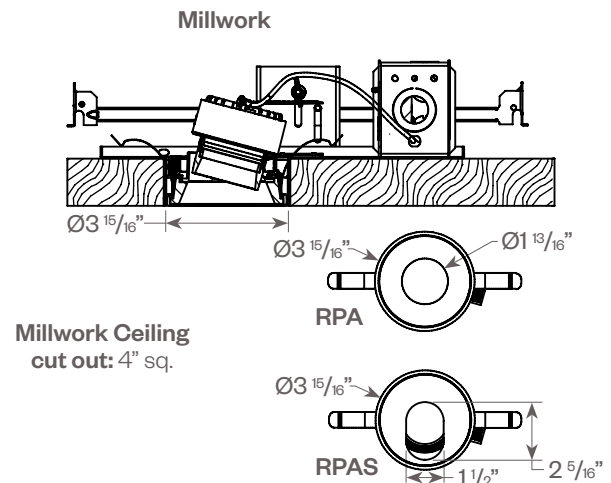
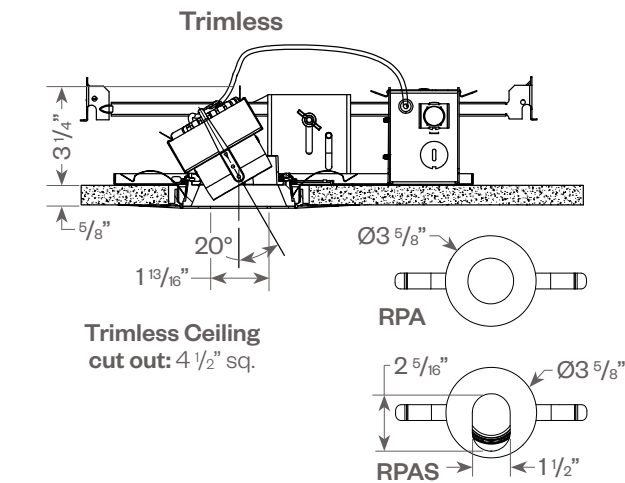
**Hornet HP Round Downlight:**



**Hornet HP Round Adjustable:**

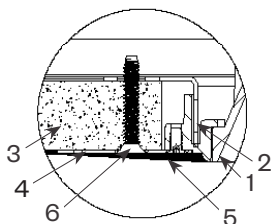


**Hornet HP Round Pinhole Adjustable/Pinhole Adjustable Slot:**



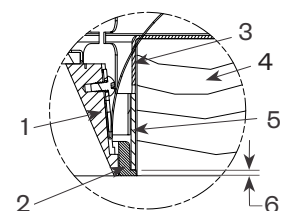
**Plaster Frame Installation Detail (for trimless fixture only)**

1. Reflector Trim
2. Aperture plate
3. Ceiling 5/8"
4. Cast Aluminum Plaster Frame
5. Plaster Skim Coat (by others)
6. 6-32 Type F Thread Cutting Screw



**Millwork Detail**

1. Reflector Trim
2. Millwork Ring
3. Aperture Plate
4. Wood Ceiling 2" Max
5. Extension collar (see ordering information for ceiling thicknesses)
6. 1/16" required for trim to be flush with ceiling



# Hornet<sup>®</sup> HP

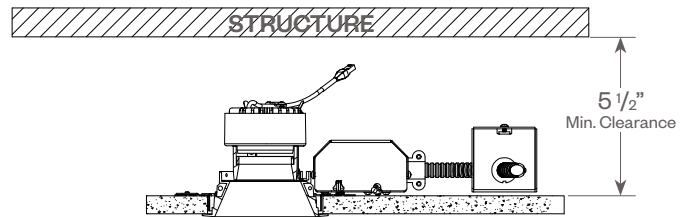
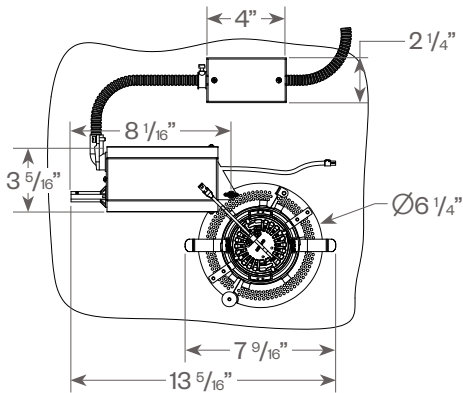
Round Downlights



## PROJECT:

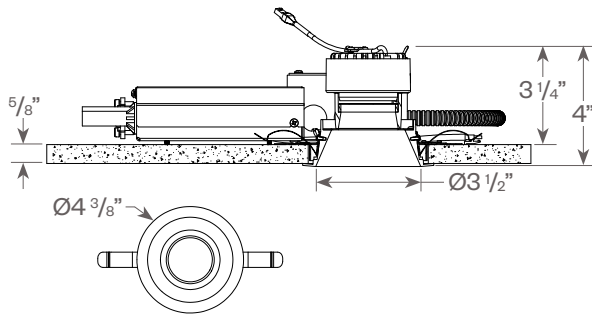
## TYPE:

### Hornet HP Downlight: Remodeler

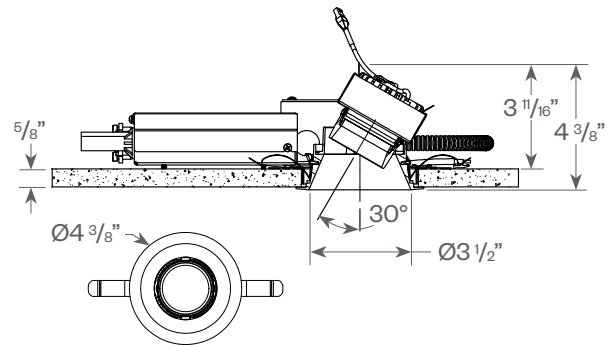


Ceiling cut out: 4" dia.

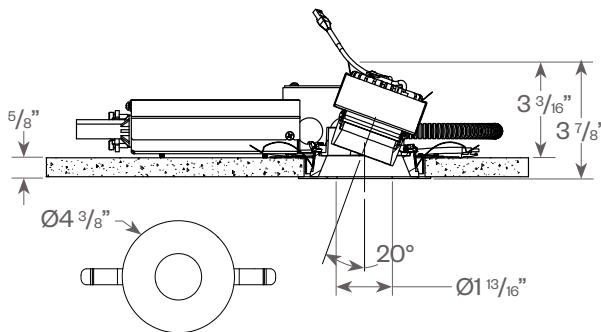
### Downlight



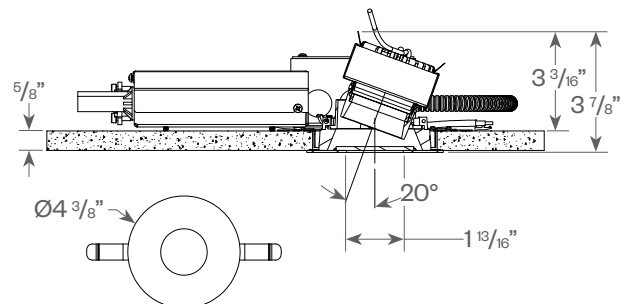
### Adjustable



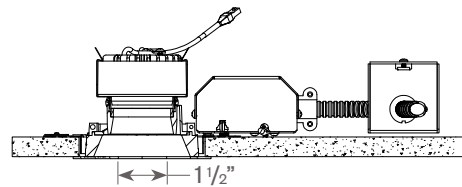
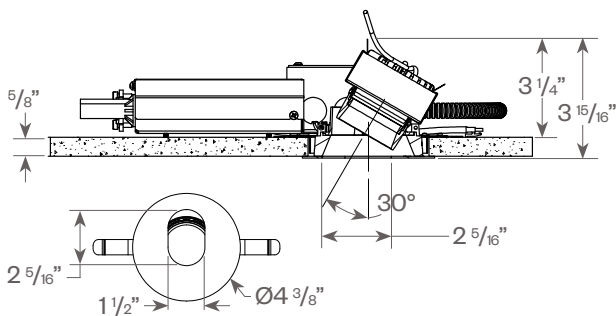
### Pinhole Adjustable



### Pinhole Adjustable Shower



### Pinhole Adjustable Slot



# Hornet<sup>®</sup> HP

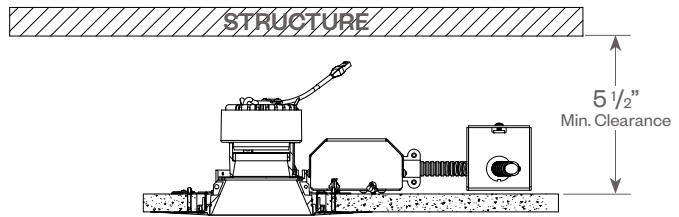
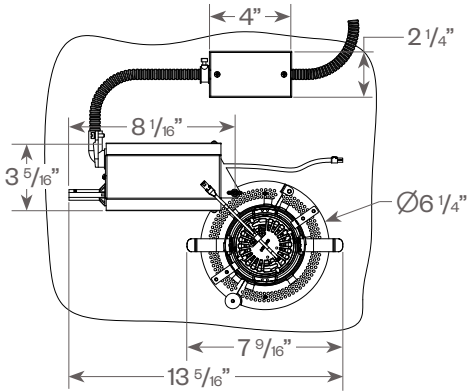
Round Downlights



**PROJECT:**

**TYPE:**

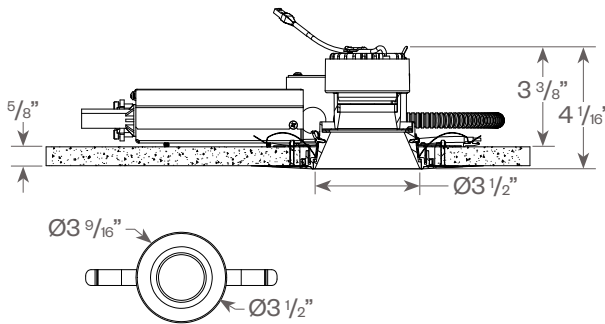
**Hornet HP Downlight: Remodeler Trimless**



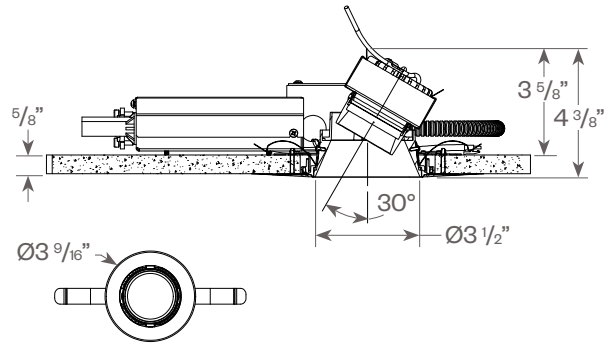
Trimless Ceiling cut out: 4 1/2" dia.

Millwork Ceiling cut out: 4" dia.

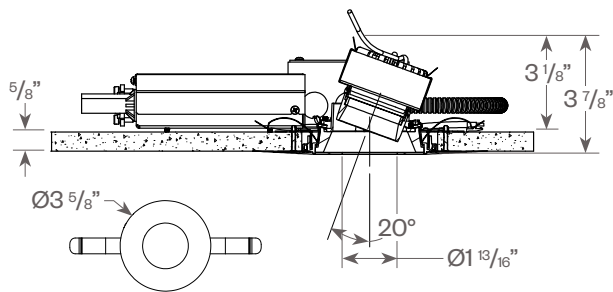
**Downlight**



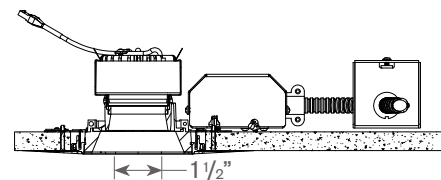
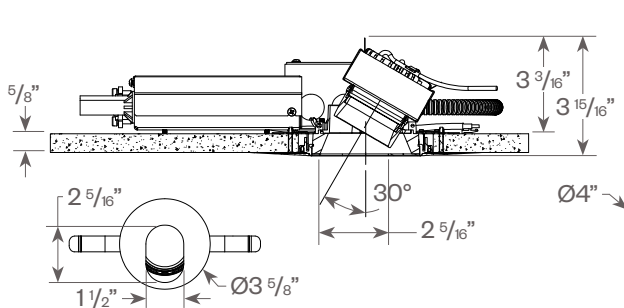
**Adjustable**



**Pinhole Adjustable**



**Pinhole Adjustable Slot**



**PROJECT:**

**TYPE:**

**Hornet HP Round Downlight:**

**FIXTURE DATA:** (Complete photometric data (.ies format) available upon request)

**MULTIPLYING FACTORS:** (Multiplying Factor is based on 3000K-83 120V IES file on website)

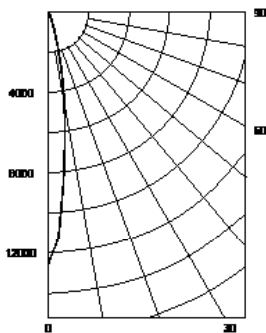
Wattage:	13W	18W	20W
Factor:	0.65	0.90	1.0

CCT:	2700K-83	3000K-83	3500K-83	4000K-83
Factor:	0.96	1.0	1.02	1.04

CCT:	2200K-90+	2700K-90+	3000K-90+	3500K-90+	4000K-90+	CRISP	3CLA
Factor:	0.71	0.80	0.83	0.87	0.90	0.65	0.75

**20W LED, 3000K**

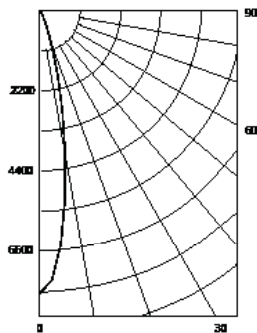
**Spot (SP) Distribution, 15°**  
LTL #818231  
Lumens: 1,323



**Candelas at Nadir**

Deg	Candela
0	12508
5	8495
15	1754
25	190
35	32
45	3

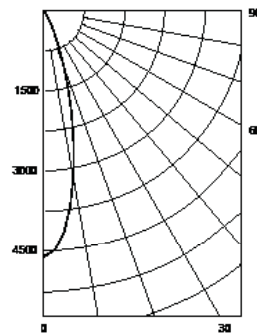
**Narrow Flood (NF) Distribution, 22°**  
LTL #818232  
Lumens: 1,236



**Candelas at Nadir**

Deg	Candela
0	7734
5	6428
15	1866
25	277
35	45
45	4

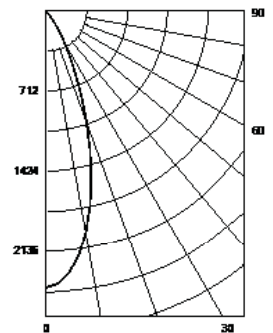
**Flood (FL) Distribution, 28°**  
LTL # 818234  
Lumens: 1,185



**Candelas at Nadir**

Deg	Candela
0	4591
5	4168
15	1966
25	470
35	72
45	4

**Wide Flood (WF) Distribution, 45°**  
LTL # 818235  
Lumens: 1,123

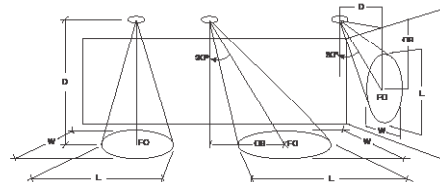


**Candelas at Nadir**

Deg	Candela
0	2751
5	2614
15	1719
25	676
35	141
45	7

**Application Data:**

	0° Aiming Angle Horizontal Footcandles			
<b>Spot</b>	D	FC	L	W
	5.0'	292	1.9	1.9
	7.5'	163	2.6	2.6
	10.0'	102	3.2	3.2
12.5'	69	3.7	3.7	
<b>Narrow Flood</b>	D	FC	L	W
	5.0'	231	2.1	2.1
	7.5'	120	2.9	2.9
	10.0'	71	3.7	3.7
12.5'	47	4.6	4.6	
<b>Flood</b>	D	FC	L	W
	5.0'	150	2.7	2.7
	7.5'	74	3.6	3.6
	10.0'	43	4.8	4.8
12.5'	28	5.8	5.8	
<b>Wide Flood</b>	D	FC	L	W
	5.0'	97	3.2	3.2
	7.5'	46	4.6	4.6
	10.0'	27	6.1	6.1
12.5'	17	7.5	7.5	



**Notes and Definitions:**

Beam spread is to 50% center beam candlepower (CBCP).

**D**=Distance to floor or wall.

**FC**=Footcandles on floor or wall at center beam aiming location.

**L**=Effective Visual Beam length in feet (50% of maximum footcandle level).

**W**=Effective Visual Beam width in feet (50% of maximum footcandle level).

**CB**=Distance across or down to center beam location.



# Hornet<sup>®</sup> HP

Round Downlights



**PROJECT:**

**TYPE:**

**Hornet HP Round Adjustable:**

**FIXTURE DATA:** (Complete photometric data (.ies format) available upon request)

**MULTIPLYING FACTORS:** (Multiplying Factor is based on 3000K-83 120V IES file on website)

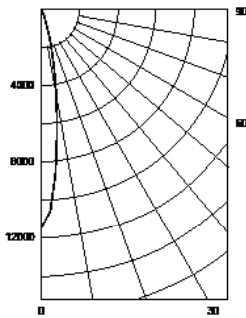
Wattage:	13W	18W	20W
Factor:	0.65	0.90	1.0

CCT:	2700K-83	3000K-83	3500K-83	4000K-83
Factor:	0.96	1.0	1.02	1.04

CCT:	2200K-90+	2700K-90+	3000K-90+	3500K-90+	4000K-90+	CRISP	3CLA
Factor:	0.71	0.80	0.83	0.87	0.90	0.65	0.75

**20W LED, 3000K**

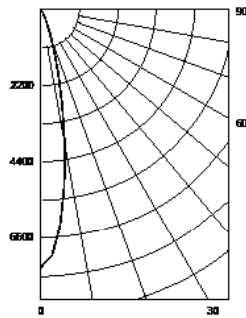
**Spot (SP) Distribution, 15°**  
LTL #818224  
Lumens: 1,332



**Candelas at Nadir**

Deg	Candela
0	11367
5	8488
15	1846
25	199
35	38
45	3

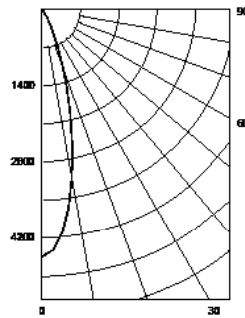
**Narrow Flood (NF) Distribution, 22°**  
LTL #818225  
Lumens: 1,238



**Candelas at Nadir**

Deg	Candela
0	7412
5	6254
15	1895
25	288
35	49
45	4

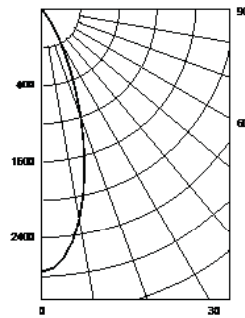
**Flood (FL) Distribution, 28°**  
LTL # 818227  
Lumens: 1,193



**Candelas at Nadir**

Deg	Candela
0	4527
5	4117
15	1963
25	488
35	77
45	5

**Wide Flood (WF) Distribution, 45°**  
LTL # 818228  
Lumens: 1,138



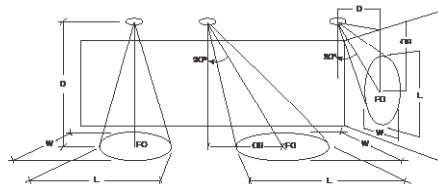
**Candelas at Nadir**

Deg	Candela
0	2747
5	2609
15	1715
25	693
35	149
45	8

**Application Data:**

**0° Aiming Angle Horizontal Footcandles**

	D	FC	L	W
<b>Spot</b>	5.0'	286	1.9	1.9
	7.5'	157	2.7	2.7
	10.0'	97	3.3	3.3
	12.5'	65	3.9	3.9
<b>Narrow Flood</b>	5.0'	215	2.2	2.2
	7.5'	112	3.0	3.0
	10.0'	67	3.8	3.8
	12.5'	44	4.7	4.7
<b>Flood</b>	5.0'	148	2.7	2.7
	7.5'	73	3.7	3.7
	10.0'	43	4.8	4.8
	12.5'	28	5.9	5.9
<b>Wide Flood</b>	5.0'	97	3.2	3.2
	7.5'	46	4.6	4.6
	10.0'	26	6.1	6.1
	12.5'	17	7.6	7.6



**Notes and Definitions:**

Beam spread is to 50% center beam candlepower (OBCP).

**D**=Distance to floor or wall.

**FC**=Footcandles on floor or wall at center beam aiming location.

**L**=Effective Visual Beam length in feet (50% of maximum footcandle level).

**W**=Effective Visual Beam width in feet (50% of maximum footcandle level).

**CB**=Distance across or down to center beam location.

**PROJECT:**

**TYPE:**

**Hornet HP Round Pinhole Adjustable:**

**FIXTURE DATA:** (Complete photometric data (.ies format) available upon request)

**MULTIPLYING FACTORS:** (Multiplying Factor is based on 3000K-83 120V IES file on website)

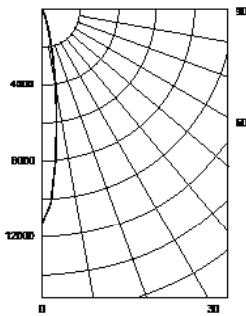
Wattage:	13W	18W	20W
Factor:	0.65	0.90	1.0

CCT:	2700K-83	3000K-83	3500K-83	4000K-83
Factor:	0.96	1.0	1.02	1.04

CCT:	2200K-90+	2700K-90+	3000K-90+	3500K-90+	4000K-90+	CRISP	3CLA
Factor:	0.71	0.80	0.83	0.87	0.90	0.65	0.75

**20W LED, 3000K**

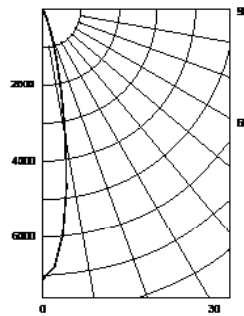
**Spot (SP) Distribution, 15°**  
LTL #818216  
Lumens: 1,099



**Candelas at Nadir**

Deg	Candela
0	11209
5	7888
15	1423
25	64
35	6
45	1

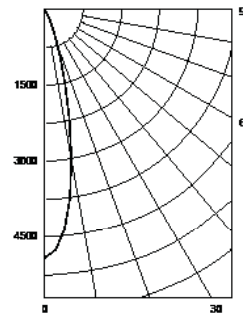
**Narrow Flood (NF) Distribution, 22°**  
LTL #818217  
Lumens: 959



**Candelas at Nadir**

Deg	Candela
0	7083
5	5941
15	1387
25	99
35	8
45	0

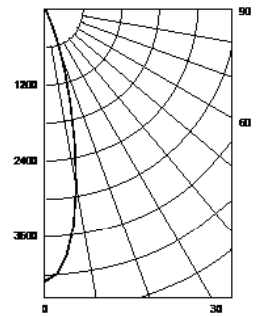
**Medium Flood (MFL) Distribution, 28°**  
LTL # 818218  
Lumens: 899



**Candelas at Nadir**

Deg	Candela
0	4898
5	4358
15	1508
25	176
35	10
45	0

**Flood (FL) Distribution, 45°**  
LTL # 818219  
Lumens: 876



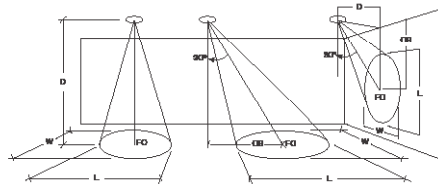
**Candelas at Nadir**

Deg	Candela
0	4293
5	3897
15	1526
25	198
35	11
45	0

**Application Data:**

**0° Aiming Angle Horizontal Footcandles**

	D	FC	L	W
<b>Spot</b>	5.0'	265	1.8	1.8
	7.5'	148	2.5	2.5
	10.0'	92	3.1	3.1
	12.5'	63	3.7	3.7
<b>Narrow Flood</b>	5.0'	201	2.0	2.0
	7.5'	106	2.8	2.8
	10.0'	64	3.5	3.5
	12.5'	42	4.4	4.4
<b>Flood</b>	5.0'	153	2.3	2.3
	7.5'	77	3.2	3.2
	10.0'	45	4.2	4.2
	12.5'	30	5.1	5.1
<b>Wide Flood</b>	5.0'	138	2.4	2.4
	7.5'	69	3.4	3.4
	10.0'	40	4.4	4.4
	12.5'	26	5.4	5.4



**Notes and Definitions:**

Beam spread is to 50% center beam candlepower (CBCP).

**D**=Distance to floor or wall.

**FC**=Footcandles on floor or wall at center beam aiming location.

**L**=Effective Visual Beam length in feet (50% of maximum footcandle level).

**W**=Effective Visual Beam width in feet (50% of maximum footcandle level).

**CB**=Distance across or down to center beam location.

# Hornet<sup>®</sup> HP

Round Downlights



**PROJECT:**

**TYPE:**

**Hornet HP Round Pinhole Adjustable Slot:**

**FIXTURE DATA:** (Complete photometric data (.ies format) available upon request)

**MULTIPLYING FACTORS:** (Multiplying Factor is based on 3000K-83 120V IES file on website)

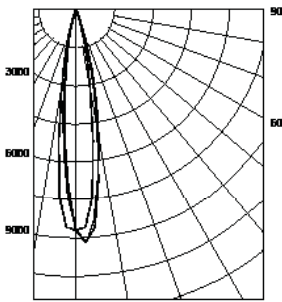
Wattage:	13W	18W	20W
Factor:	0.65	0.90	1.0

CCT:	2700K-83	3000K-83	3500K-83	4000K-83
Factor:	0.96	1.0	1.02	1.04

CCT:	2200K-90+	2700K-90+	3000K-90+	3500K-90+	4000K-90+	CRISP	3CLA
Factor:	0.71	0.80	0.83	0.87	0.90	0.65	0.75

**20W LED, 3000K**

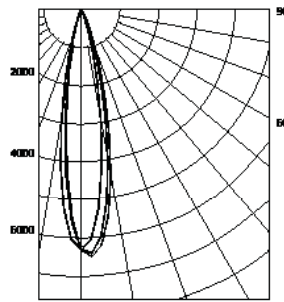
**Spot (SP) Distribution, 15°**  
LTL #818220  
Lumens: 1,016



**Candelas at Nadir**

Deg	Candela
0	8708
5	7439
15	1282
25	33
35	5
45	0

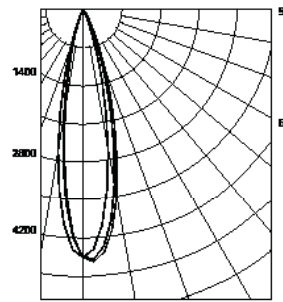
**Narrow Flood (NF) Distribution, 22°**  
LTL #818221  
Lumens: 909



**Candelas at Nadir**

Deg	Candela
0	6311
5	5258
15	1202
25	62
35	7
45	0

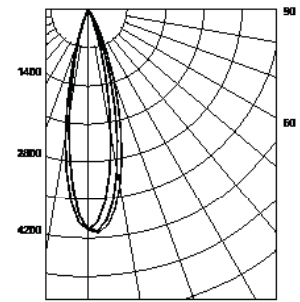
**Medium Flood (MFL) Distribution, 28°**  
LTL # 818222  
Lumens: 851



**Candelas at Nadir**

Deg	Candela
0	4560
5	3994
15	1320
25	116
35	8
45	0

**Flood (FL) Distribution, 45°**  
LTL # 818223  
Lumens: 833

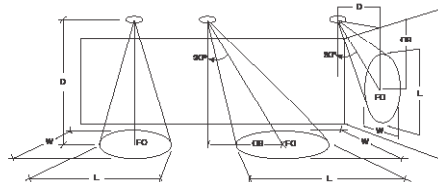


**Candelas at Nadir**

Deg	Candela
0	4055
5	3556
15	1218
25	113
35	8
45	0

**Application Data:**

		0° Aiming Angle Horizontal Footcandles			
		D	FC	L	W
Spot	5.0'	233	2.0	1.9	
	7.5'	127	2.6	2.6	
	10.0'	77	3.3	3.3	
	12.5'	52	4.0	4.0	
Narrow Flood	5.0'	180	2.2	2.0	
	7.5'	94	2.9	2.8	
	10.0'	57	3.8	3.6	
	12.5'	38	4.6	4.5	
Flood	5.0'	140	2.3	2.3	
	7.5'	71	3.3	3.1	
	10.0'	42	4.3	4.1	
	12.5'	28	5.2	5.2	
Wide Flood	5.0'	127	2.5	2.3	
	7.5'	64	3.6	3.2	
	10.0'	38	4.6	4.2	
	12.5'	25	5.8	5.4	



**Notes and Definitions:**

Beam spread is to 50% center beam candlepower (CBCP).

**D**=Distance to floor or wall.

**FC**=Footcandles on floor or wall at center beam aiming location.

**L**=Effective Visual Beam length in feet (50% of maximum footcandle level).

**W**=Effective Visual Beam width in feet (50% of maximum footcandle level).

**CB**=Distance across or down to center beam location.

**PROJECT:**

**TYPE:**

**DIMMING COMPATIBILITY:**

Amerlux® Hornet fixtures are compatible with all major dimming protocols prevalent in the United States. Please see below for general compatibilities and wiring diagrams. Amerlux recommends testing your unique dimming configuration as the exact full configuration (Dimmer, Fixture Quantity, Voltage, etc) may affect dimming performance.

**--- NOTE: INFORMATION BELOW IS FOR WIRED DIMMERS ONLY. FOR WIRELESS DIMMERS, CONSULT FACTORY ---**

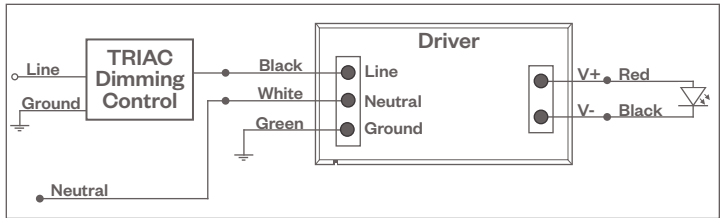
**TRIAC (Forward Phase) DIMMING (Standard)**

Utilizes standard TRIAC dimmers that are in wide use in installations across the US. Best for retrofit applications where TRIAC dimmers are installed.

**Notes:**

- 120VAC or 277VAC\*
- Dims down to 5% light output (most cases)
- Consult Dimming manufacturer for installation instructions - DO NOT SHARE NEUTRALS!
- Must meet dimmer Minimum Load Requirements per dimming manufacturer

**TRIAC Wiring Diagram**



**Compatible Dimmers†:**

Wall Box (TRIAC 120VAC)	Central System
Lutron "Diva"	Lutron "GP" Panel
Lutron "Nova-T"	Lutron Grafik Eye QS
Lutron "Maestro"	
Lutron "Vareo"	
Lutron "Skylark"	

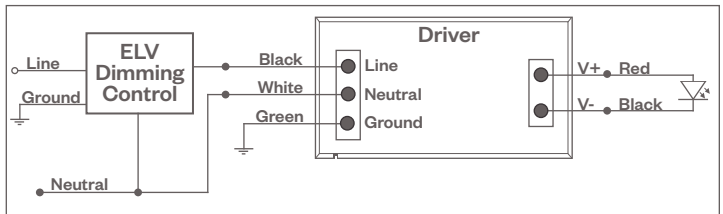
**ELV - Electronic Low Voltage (Reverse Phase) DIMMING (Standard)**

Utilizes specialized "ELV" dimmers.

**Notes:**

- 120VAC or 277VAC\*
- Dims down to 5% light output (most cases)
- Consult Dimming manufacturer for installation instructions - DO NOT SHARE NEUTRALS!
- Must meet dimmer Minimum Load Requirements

**ELV Wiring Diagram**



**Compatible Dimmers†:**

Wall Box (ELV 120VAC)	Wall Box (ELV 277VAC)	Central System
Lutron "Diva"	Leviton Revoir II AWSMT-E	Lutron "GP" Panel with PHPM-PA 120/277VAC
Lutron "Nova-T"		Lutron Grafik Eye QS with PHPM-PA 120/277VAC
Lutron "Maestro"		
Lutron "Vareo"		
Lutron "Skylark"		
Leviton "Surslide"		
Leviton "Vizio"		

**Notes:**

- \* Driver is 277VAC dimmable with appropriate dimmer (by others). All provided wiring diagrams show 120VAC wiring colors and method. Please refer to 277VAC dimmer manufacturer installation instructions for 277VAC wiring diagrams.
- † The absence of a dimmer from the lists above does not imply incompatibility. Please consult factory for compatibility inquiries.

**PROJECT:**

**TYPE:**

**DIMMING COMPATIBILITY:**

Amerlux<sup>®</sup> Hornet fixtures are compatible with all major dimming protocols prevalent in the United States. Please see below for general compatibilities and wiring diagrams. Amerlux recommends testing your unique dimming configuration as the exact full configuration (Dimmer, Fixture Quantity, Voltage, etc) may affect dimming performance.

**--- NOTE: INFORMATION BELOW IS FOR WIRED DIMMERS ONLY. FOR WIRELESS DIMMERS, CONSULT FACTORY ---**

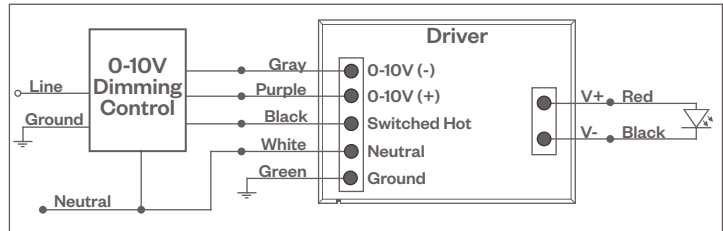
**0-10V DIMMING**

Integrates into a variety of building management and daylighting controls

**Notes:**

- 120VAC or 277VAC\*
- Dims down to 1% light output
- Requires interface to turn off power to driver
- Consult Dimming manufacturer for installation instructions - DO NOT SHARE NEUTRALS!

**0-10V Wiring Diagram**



**Compatible Dimmers\*:**

**Wall Box**

Lutron "Diva" - DTVV with PP-120H Interface

Leviton Renoir II 0-10V

**Central System**

Lutron Grafik Eye with GRX-TV1 Interface

**LUTRON H-SERIES / ECOSYSTEM DIMMING**

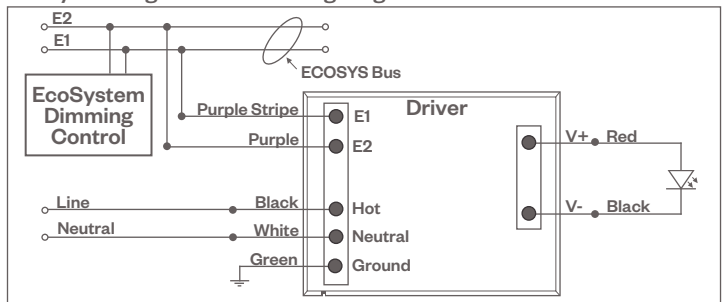
Integrates into Lutron EcoSystem building management

**Notes:**

- 120VAC or 277VAC\*
- Dims down to 1% light output
- EcoSystem Control
- Consult Dimming manufacturer for installation instructions - DO NOT SHARE NEUTRALS!

**HILUME-H-ECO, HILUME-5-ECO**

**EcoSystem Digital Control Wiring Diagram**



**Compatible Dimmers\*:**

**Lutron ECO System**

Pow Pak Dimming Modules  
Energj Savr Node  
Grafik Eye QS/Homeworks  
QS Control Unit  
Quantum Hub  
Homeworks QS/My Room

**Central System**

Lutron EcoSystem compatible controls

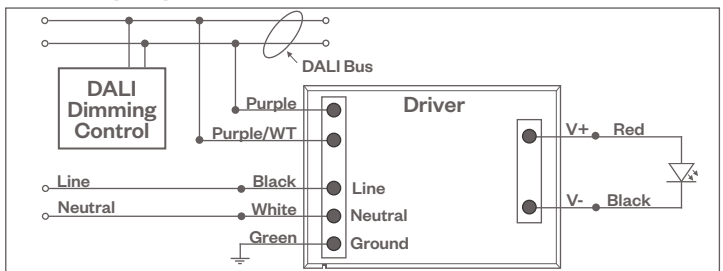
**DALI DIMMING**

Digital control protocol allows individual fixture control

**Notes:**

- 120VAC - 277VAC\*
- Dims down to 1% light output in most cases

**DALI Wiring Diagram**



**Compatible Dimmers\*:**

**Wall Box (3-Wire Fluorescent)**

Leviton CD250 Controller

**Central System**

Dynalite  
Fifth Light

**Notes:**

- \* Driver is 277VAC dimmable with appropriate dimmer (by others). All provided wiring diagrams show 120VAC wiring colors and method. Please refer to 277VAC dimmer manufacturer installation instructions for 277VAC wiring diagrams.
- † The absence of a dimmer from the lists above does not imply incompatibility. Please consult factory for compatibility inquiries.

PROJECT:

TYPE:

## EMERGENCY DIMMING (-EM OPTION)

### Wiring Diagram

