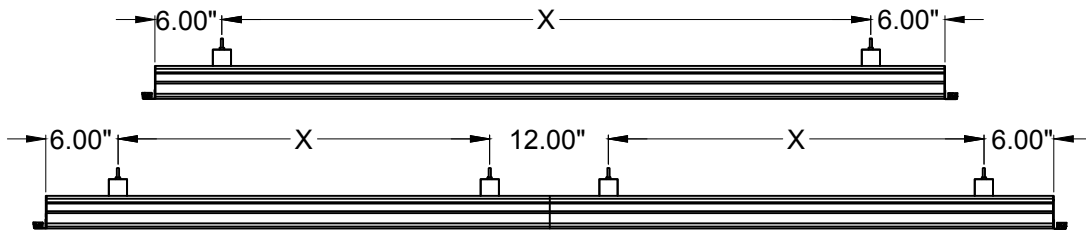


WARNING - RISK OF FIRE AND ELECTRICAL SHOCK. FIXTURE MUST BE INSTALLED BY A QUALIFIED ELECTRICIAN ONLY. FIXTURE IS INTENDED FOR INSTALLATION IN ACCORDANCE WITH THE NATIONAL ELECTRICAL CODE, LOCAL AND FEDERAL SPECIFICATIONS. DISCONNECT POWER AT ELECTRICAL PANEL BEFORE SERVICING.
RETAIN THESE INSTRUCTIONS FOR MAINTENANCE REFERENCE.

Suspension Points



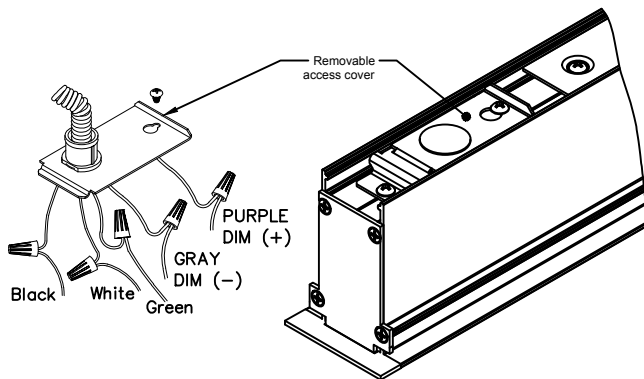
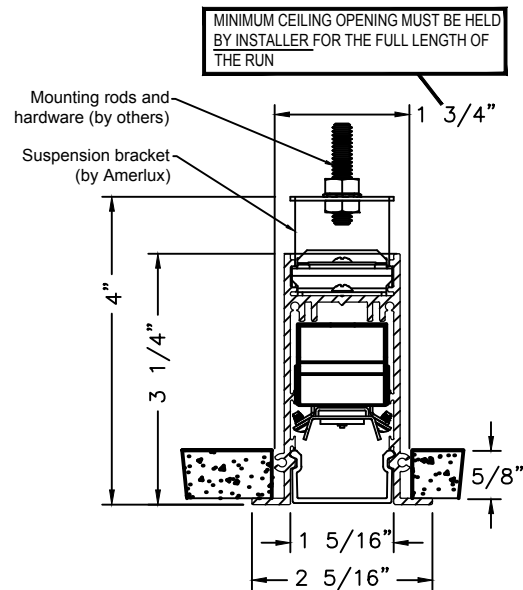
Example of a continuous row

1. Individual Installation - (Individual fixture shipped as shown.)

Support Method: hanging via threaded rods (fixture must be installed before ceiling)

NOTE: Fixture does not have to be opened for installation when hanging via threaded rods.

1. Make sure power is off at electrical panel. Reference layout for feed locations. If whip not supplied by factory, a feed pigtail will extend approx. 12" from 7/8" hole in removable access cover on top of fixture. Make electrical connections to whip.
2. Push wires & wire nuts into housing. Remove access cover from fixture (1 screw), secure whip to access cover & resecure cover to housing.
3. Guide fixture into ceiling and mount via threaded rod (rods and hardware by others).

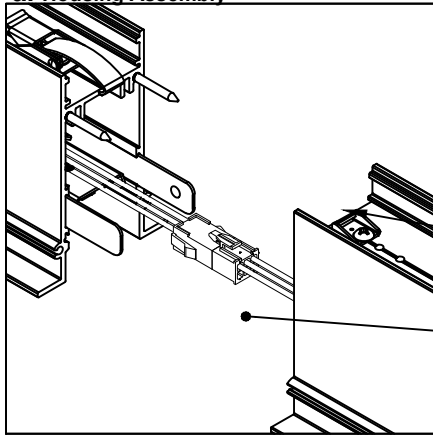


Note: Additional connections (not shown) to be supplied as required for EM circuit or other wiring requirements. Cap all unused leads (wire nuts supplied by others).



2. Assembling Continuous Rows-

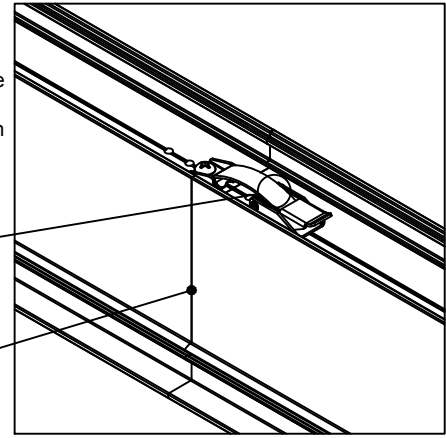
a. Housing Assembly



Joining the Housings
Line up the two housings by using the alignment splines. Secure them together by using the Snap and Latch System on the top of the extrusion.

Catch and Latch

Alignment Spline and-or Pins



b. Reflector Assembly Installation (Only require for "blocking" support method or to access ballast)

WARNING: Electrostatic and polarity sensitive device.
Use caution while handling and wiring.

1.) LED Fixture:

Consult Amerlux for LED maintenance.

2.) LED Replacement:

For LED board replacement reference 689-0500 Instruction Sheet

3.) Driver maintenance:

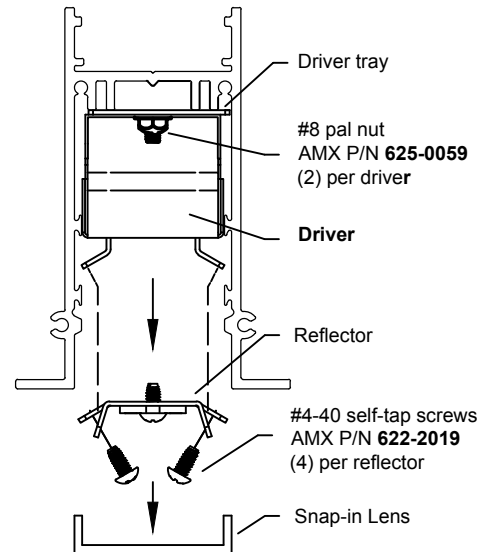
Drivers are located on tray beneath bottom reflectors, secured by (2) #8 pal nuts per driver.

Remove the reflector mounting screws to access.

For driver replacement, please specify:

Manufacturer, Model No, and Current Setting (mA).

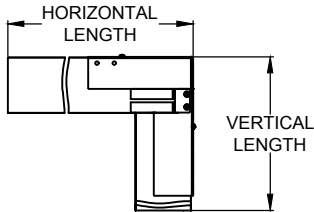
See 710-0134 Wiring Schematic for more details.



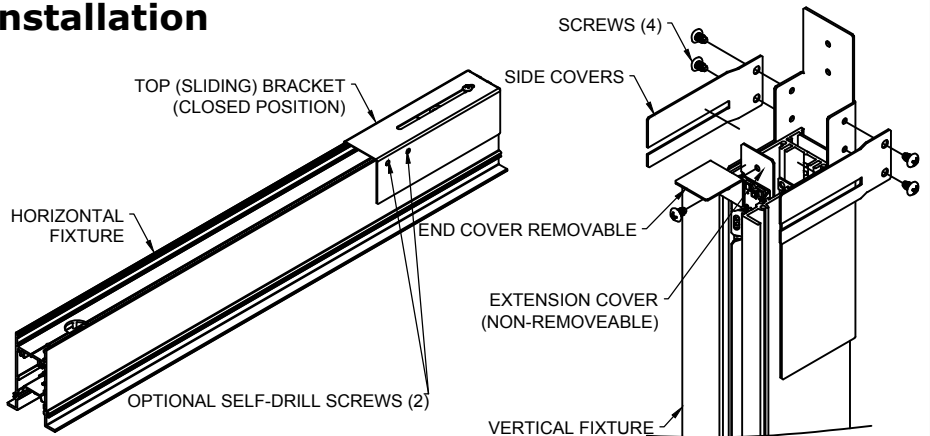
MAKE SURE TO DISCONNECT ALL ELECTRICAL CONNECTIONS BEFORE RELAMPING.

Amerlux, LLC. - 178 Bauer Drive, Oakland NJ 07436 - T: 973-882-5010 - F: 973-882-2605
www.amerlux.com

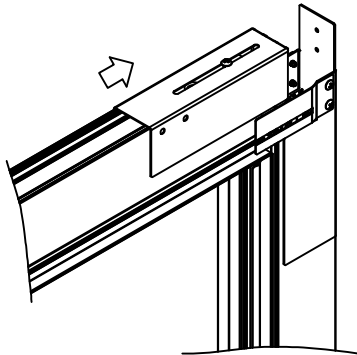
Wall/Ceiling Corner Installation



1. Install Vertical fixture(s) from the ground up. Secure fixtures following instructions from pages 1-3.
2. Once the fixture is secure, feed power source through the knock-out. Splice to harness according to code.

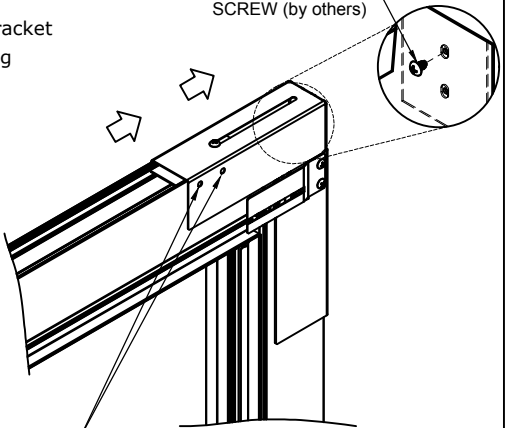


3. Install Horizontal fixture(s) closest to corner.
 - A. Lift fixture to ceiling. Shift housing over vertical housing. (Overlap min. of $\frac{1}{4}$ " , max. $2\frac{1}{4}$ ") Reference layout drawing for location.

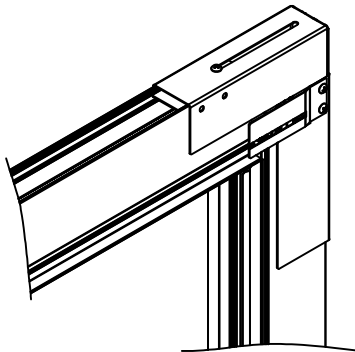


- B. Loosen the top screw to the Top Bracket. Slide Top Bracket to wall and tighten top screw.
- C. (Option 1) Secure Top Bracket to vertical Bracket with self drilling screw (By others)
- D. (Option 2) Secure top screw on top Bracket
- E. (Option 3) Install #8 X 3/8" self drilling screw in the side holes of top bracket.
- F. Remove End Cover and connect wire harnesses from the two fixtures. Install End Covers.
- G. Secure fixtures following instructions from pages 1-3.
- H. Snip/Remove Endcover as needed to cover wire way and not block lighting.

OPTIONAL #8 X 3/8" SELF-DRILLING SCREW (by others)



OPTIONAL SELF-DRILL SCREWS (2)



4. * Install wall (By Others)
5. Spackle in fixture.
6. Remove SHIPPING BRACE.
7. Snap-in LENS.

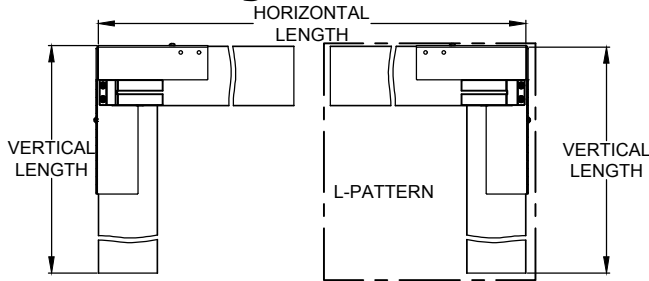
*: Fixture **MUST** be mounted before wall/ceiling is installed.

MAKE SURE TO DISCONNECT ALL ELECTRICAL CONNECTIONS BEFORE RELAMPING.

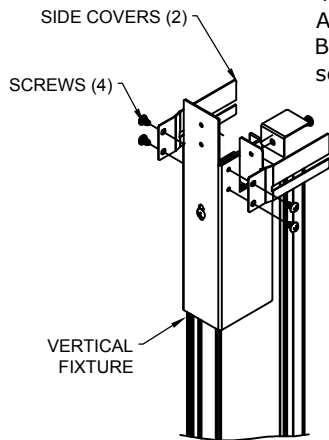
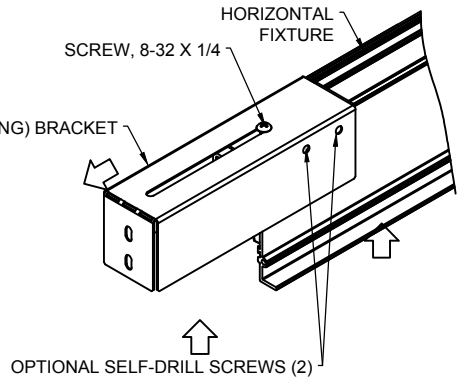
Amerlux, LLC. - 178 Bauer Drive, Oakland NJ 07436 - T: 973-882-5010 - F: 973-882-2605
www.amerlux.com



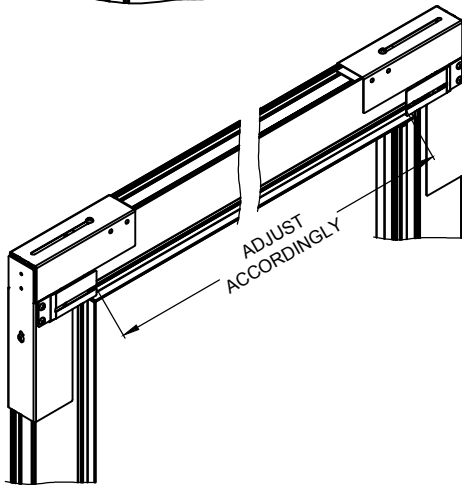
Wall/Ceiling Corner Installation - "U" Pattern



1. Repeat steps 1-3 from L-Pattern Installation sheet on page 4.
2. Once the fixture is secure, feed power source through the knock-out.
Splice to harness according to code
3. Continue installing rest of Horizontal fixtures.
4. Install Horizontal fixture closest to corner.
A. Tighten screw to the Top Bracket. Slide Top Bracket to wall and tighten optional self-drill screws if necessary.



5. Install Vertical fixture closest to corner.
A. Remove Side Covers.
B. Mount fixture so top edge of extrusion on the vertical fixture is flush with horizontal fixture. (Overlap min. of $\frac{1}{4}$ " , max. $2\frac{1}{4}$ ")
Reference layout drawing for location.
C. Re-Install Side Covers
D. Remove Side Covers if max overlap is exceeded.
E. Secure fixtures following instructions from pages 1-3.



6. * Install wall (By Others)
7. Spackle in fixture.
8. Remove SHIPPING BRACE.
9. Snap-in LENS.

*: Fixture **MUST** be mounted before wall/ceiling is installed.

MAKE SURE TO DISCONNECT ALL ELECTRICAL CONNECTIONS BEFORE RELAMPING.

**Amerlux, LLC. - 178 Bauer Drive, Oakland NJ 07436 - T: 973-882-5010 - F: 973-882-2605
www.amerlux.com**