



AMERLUX[®]
LIGHTING SOLUTIONS

ADAPT. ABILITY.™

INSTALLATION INSTRUCTIONS
SHEET #: 689-0512 (1 of 5)

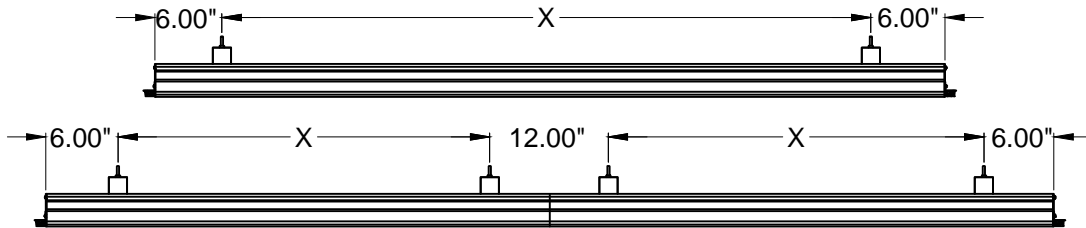
SPEC. SHEET
REFERENCE:
GRUV - 1.5 - GB - LED

GRUV - 1.5 - GB-LED

Gyp Board Ceiling

WARNING - RISK OF FIRE AND ELECTRICAL SHOCK. FIXTURE MUST BE INSTALLED BY A QUALIFIED ELECTRICIAN ONLY. FIXTURE IS INTENDED FOR INSTALLATION IN ACCORDANCE WITH THE NATIONAL ELECTRICAL CODE, LOCAL AND FEDERAL SPECIFICATIONS. DISCONNECT POWER AT ELECTRICAL PANEL BEFORE SERVICING .
RETAIN THESE INSTRUCTIONS FOR MAINTENANCE REFERENCE.

Suspension Points



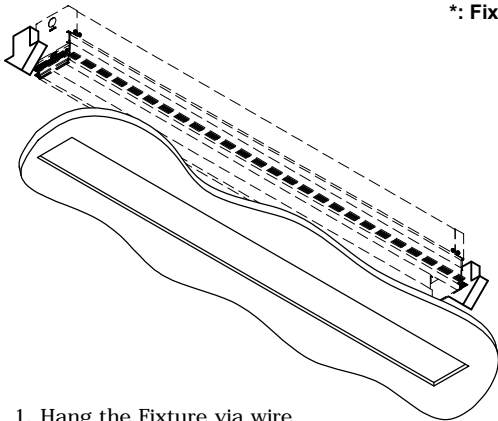
Example of a continuous row

Individual Installation - (Individual fixture shipped as shown.)

Hanging the Fixture Via Threaded Rods. (Using Yoke)

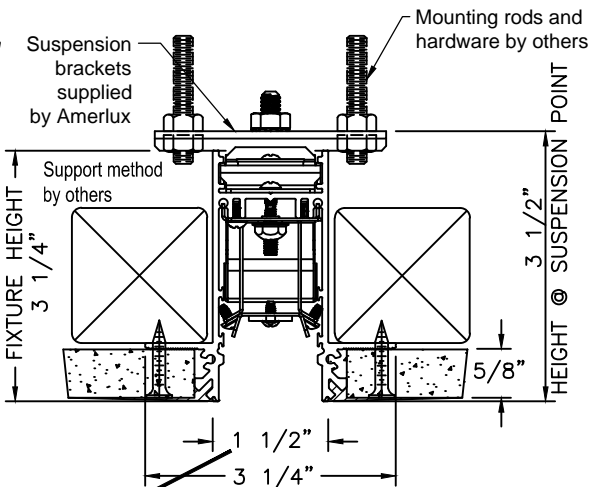
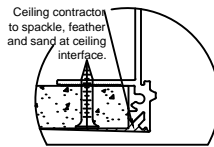
*: Fixture **MUST** be mounted before ceiling is installed.

1. Insert 1/4"-20 Bolt and secure with nut. (supplied by others)
2. Secure to structure via coupling (supplied by others)
3. Remove 7/8" KO in access cover at power feed location.

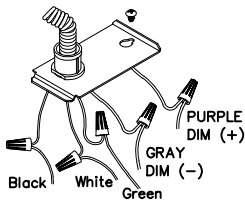


1. Hang the Fixture via wire and/or threaded rods. (Optional) BLOCKING as shown by others.
2. Once the fixture is secure, feed power source through the knock-out. Splice to harness according to code.
3. * Install ceiling (By Others)
4. Spackle in fixture.
5. Snap-in LENS.

BLOCKING SUPPORT METHOD (SUPPLIED BY OTHERS)



MINIMUM CEILING OPENING MUST BE HELD BY INSTALLER FOR THE FULL LENGTH OF THE RUN.

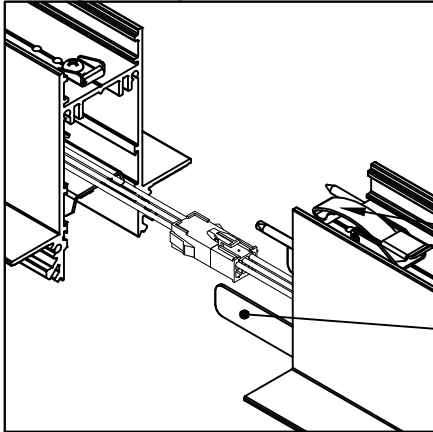


ACCESS PLATE DETAIL WIRING CONNECTION
0-10V DIM shown. For non-DIM applications cap Purple (+) and Gray (-). Wire nuts supplied by others.



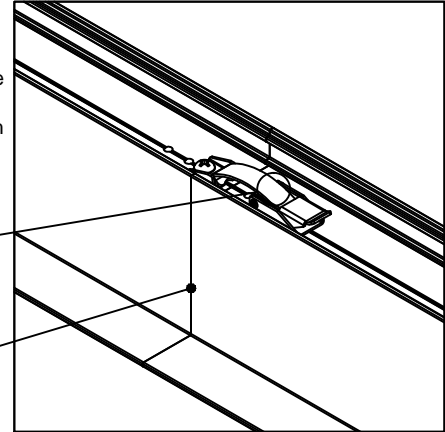
Assembling Continuous Rows-

Housing Assembly



Joining the Housings
Line up the two housings by using the alignment splines. Secure them together by using the Snap and Latch System on the top of the extrusion.

Catch and Latch
Alignment Spline and/or Pins



Reflector removal (only required to access driver)

WARNING: Electrostatic and polarity sensitive device.
Use caution while handling and wiring.

1.) LED Fixture:

Consult Amerlux for LED maintenance.

2.) LED Replacement:

For LED board replacement reference 689-0500 Instruction Sheet

3.) Driver maintenance:

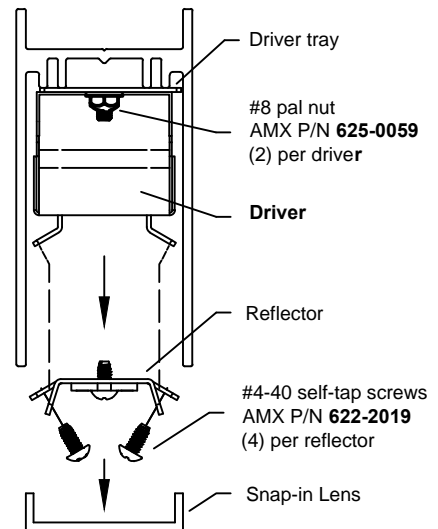
Drivers are located on tray beneath bottom reflectors, secured by (2) #8 pal nuts per driver.

Remove the reflector mounting screws to access.

For driver replacement, please specify:

Manufacturer, Model No, and Current Setting (mA).

See 710-0134 Wiring Schematic for more details.



MAKE SURE TO DISCONNECT ALL ELECTRICAL CONNECTIONS BEFORE ACCESSING LED .



AMERLUX®
LIGHTING SOLUTIONS

ADAPT. ABILITY.™

INSTALLATION INSTRUCTIONS
SHEET #: 689-0512 (3 of 5)

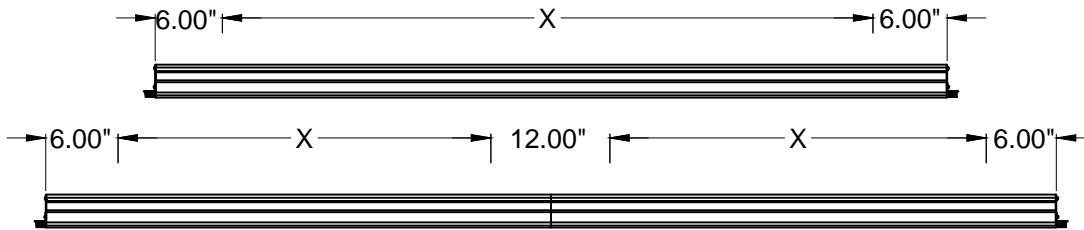
SPEC. SHEET
REFERENCE:
GRUV - 1.5 - GB - LED

GRUV - 1.5 - GB-LED WALL MOUNTED INSTALLATION (HORIZONTAL/VERTICAL)

Gyp Board

WARNING - RISK OF FIRE AND ELECTRICAL SHOCK. FIXTURE MUST BE INSTALLED BY A QUALIFIED ELECTRICIAN ONLY. FIXTURE IS INTENDED FOR INSTALLATION IN ACCORDANCE WITH THE NATIONAL ELECTRICAL CODE, LOCAL AND FEDERAL SPECIFICATIONS. DISCONNECT POWER AT ELECTRICAL PANEL BEFORE SERVICING .
RETAIN THESE INSTRUCTIONS FOR MAINTENANCE REFERENCE.

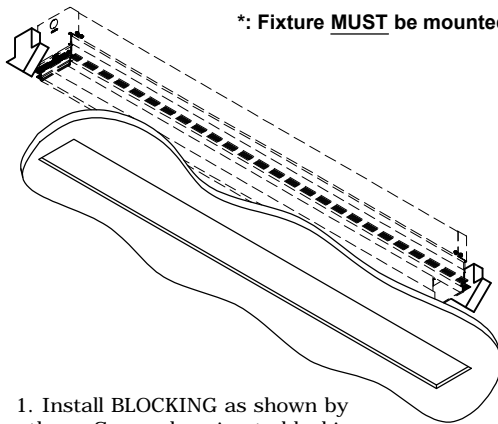
Mounting Points



Example of a continuous row

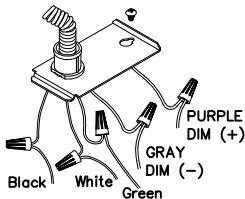
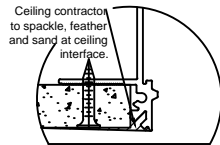
Individual Installation - (Individual fixture shipped as shown.)

*: Fixture **MUST** be mounted before wall is installed.

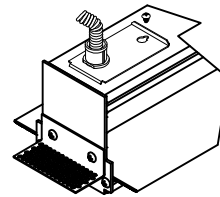


1. Install **BLOCKING** as shown by others. Secure housing to blocking using Self-drilling screws (supplied by others) thru Fixture Flange.
2. Once the fixture is secure, feed power source through the knock-out. Splice to harness according to code.
3. * Install wall (By Others)
4. Spackle in fixture.
5. Snap-in **LENS**.

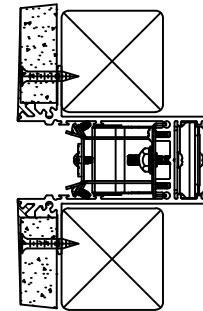
BLOCKING
SUPPORT METHOD
(SUPPLIED BY OTHERS)



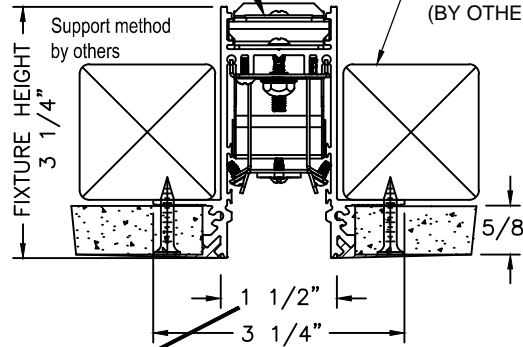
**ACCESS PLATE DETAIL
WIRING CONNECTION**
0-10V DIM shown. For non-DIM applications cap Purple (+) and Gray (-). Wire nuts supplied by others.



Remove 7/8" KO in access cover at power feed location.



BLOCKING
REQUIRED
(BY OTHERS)



MINIMUM WALL OPENING MUST BE HELD BY INSTALLER FOR THE FULL LENGTH OF THE RUN.



SNAP IN LENS



AMERLUX[®]
LIGHTING SOLUTIONS

ADAPT. ABILITY.™

INSTALLATION INSTRUCTIONS
SHEET #: 689-0512 (4 of 5)

SPEC. SHEET
REFERENCE:
GRUV1.5 - GB -LED

GRUV1.5-GB- LED - WALL/CEILING CORNER INSTALLATION (L-PATTERN)

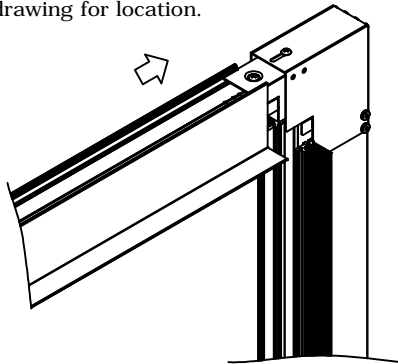
Gyp Board

WARNING - RISK OF FIRE AND ELECTRICAL SHOCK. FIXTURE MUST BE INSTALLED BY A QUALIFIED ELECTRICIAN ONLY. FIXTURE IS INTENDED FOR INSTALLATION IN ACCORDANCE WITH THE NATIONAL ELECTRICAL CODE, LOCAL AND FEDERAL SPECIFICATIONS. DISCONNECT POWER AT ELECTRICAL PANEL BEFORE SERVICING .
RETAIN THESE INSTRUCTIONS FOR MAINTENANCE REFERENCE.

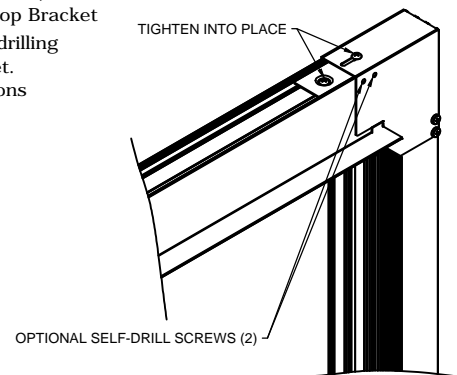
Wall/Ceiling Corner Installation

1. Install Vertical fixture(s) from the ground up. Secure fixtures following instructions from pages 1-3. Corner fixture will already have corner cover attached.
2. Once the fixture is secure, feed power source through the knock-out. Splice to harness according to code.

3. Install Horizontal fixture(s) closest to corner.
 - A. Lift fixture to ceiling. Connect wire harnesses of the two fixtures.
 - B. Slide housing into corner cover, to contact (Housing overlap min. of $\frac{1}{4}$ " , max. $\frac{3}{4}$ " at contact) Reference layout drawing for location.



- B. Loosen the top screw to the Top Bracket. Slide Top Bracket to wall and tighten top screw.
- C. (Option 1) Secure Top Bracket to vertical Bracket with self drilling screw(By others)
- D. (Option 2) Secure top screw on top Bracket
- E. (Option 3) Install #8 X 3/8" self drilling screw in the side holes of top bracket.
- F. Secure fixtures following instructions from pages 1-3.



4. * Install wall (By Others)
5. Spackle in fixture.
6. Remove SHIPPING BRACE.
7. Snap-in LENS.

*: Fixture **MUST** be mounted before wall/ceiling is installed.

Amerlux, LLC. - 178 Bauer Drive, Oakland NJ 07436 - T: 973-882-5010 - F: 973-882-2605
www.amerlux.com



AMERLUX[®]
LIGHTING SOLUTIONS

ADAPT. ABILITY.™

INSTALLATION INSTRUCTIONS
SHEET #: 689-0512 (5 of 5)

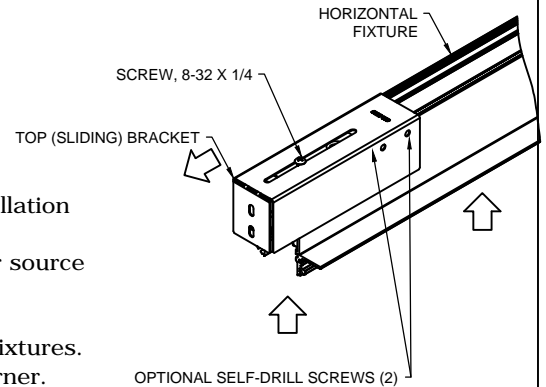
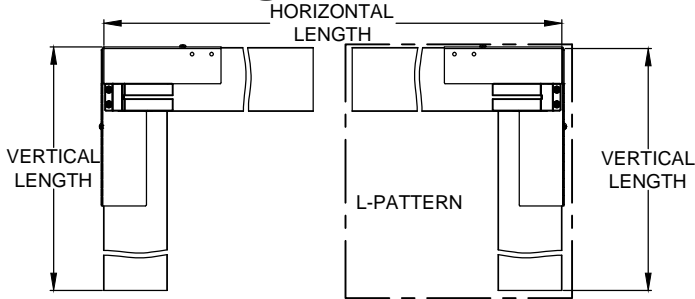
SPEC. SHEET
REFERENCE:
GRUV1.5 - GB-LED

GRUV1.5-GB -LED - WALL/CEILING CORNER INSTALLATION (U-PATTERN)

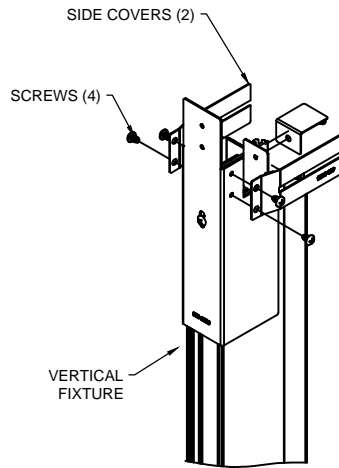
Gyp Board

WARNING - RISK OF FIRE AND ELECTRICAL SHOCK. FIXTURE MUST BE INSTALLED BY A QUALIFIED ELECTRICIAN ONLY. FIXTURE IS INTENDED FOR INSTALLATION IN ACCORDANCE WITH THE NATIONAL ELECTRICAL CODE, LOCAL AND FEDERAL SPECIFICATIONS. DISCONNECT POWER AT ELECTRICAL PANEL BEFORE SERVICING .
RETAIN THESE INSTRUCTIONS FOR MAINTENANCE REFERENCE.

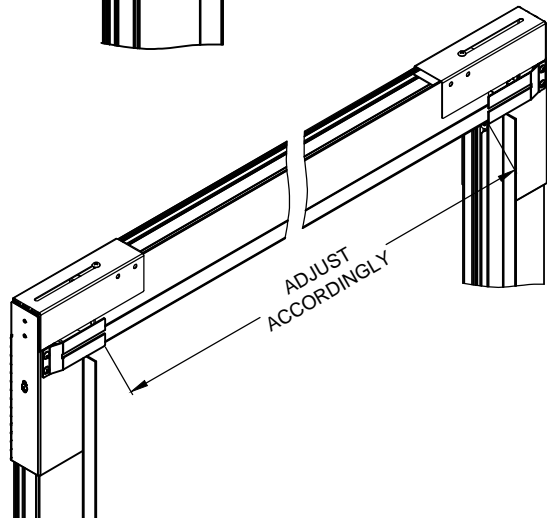
Wall/Ceiling Corner Installation - "U" Pattern



1. Repeat steps 1-3 from L-Pattern Installation sheet on page 4.
2. Once the fixture is secure, feed power source through the knock-out.
Splice to harness according to code
3. Continue installing rest of Horizontal fixtures.
4. Install Horizontal fixture closest to corner.
 - A. Tighten screw to the Top Bracket. Slide Top Bracket to wall and tighten optional self-drill screws if necessary.



5. Install Vertical fixture closest to corner.
 - A. Remove Side Covers.
 - B. Mount fixture so top edge of extrusion on the vertical fixture is flush with horizontal fixture. (Overlap min. of $\frac{1}{4}$ ", max. $2\frac{1}{4}$ ")
Reference layout drawing for location.
 - C. Re-Install Side Covers
 - D. Remove Side Covers if max overlap is exceeded.
 - E. Secure fixtures following instructions from pages 1-3.



6. * Install wall (By Others)
7. Spackle in fixture.
8. Remove SHIPPING BRACE.
9. Snap-in LENS.



AMERLUX[®]
LIGHTING SOLUTIONS

ADAPT. ABILITY.™

INSTALLATION INSTRUCTIONS
SHEET #: 689-0424 (6 of 6)

SPEC. SHEET
REFERENCE:
GRUV - EX - GB - LED

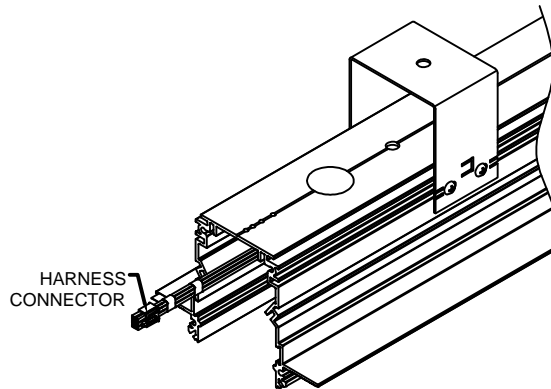
GRUVM - EX - GB - LED

Gyp Board

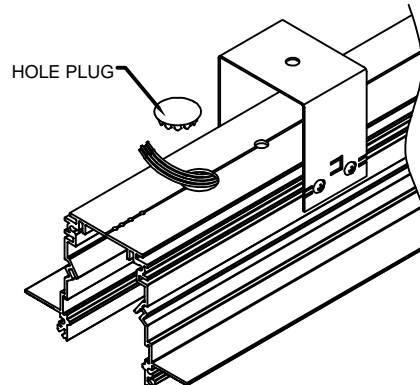
WARNING - RISK OF FIRE AND ELECTRICAL SHOCK. FIXTURE MUST BE INSTALLED BY A QUALIFIED ELECTRICIAN ONLY. FIXTURE IS INTENDED FOR INSTALLATION IN ACCORDANCE WITH THE NATIONAL ELECTRICAL CODE, LOCAL AND FEDERAL SPECIFICATIONS. DISCONNECT POWER AT ELECTRICAL PANEL BEFORE SERVICING .
RETAIN THESE INSTRUCTIONS FOR MAINTENANCE REFERENCE.

Additional feed (if required)

1. Cut off harness connector



2. Remove hole plug or knock-out.
3. Pass harness wires through feed hole.



4. Splice harness wires to feed connector wires using wirenuts (by others).
5. Install feed connector.

