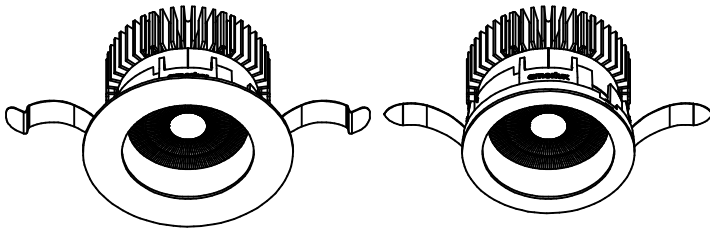


**WARNING - RISK OF FIRE AND ELECTRICAL SHOCK. FIXTURE MUST BE INSTALLED BY A QUALIFIED ELECTRICIAN ONLY. FIXTURE IS INTENDED FOR INSTALLATION IN ACCORDANCE WITH THE NATIONAL ELECTRICAL CODE, LOCAL AND FEDERAL SPECIFICATIONS. DISCONNECT POWER AT ELECTRICAL PANEL BEFORE SERVICING.**

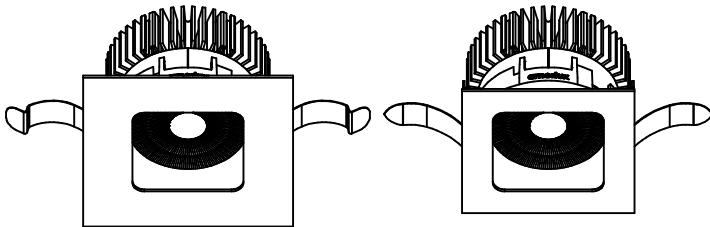
**RETAIN THESE INSTRUCTIONS FOR MAINTENANCE REFERENCE.**

**TRIM OPTIONS**

**ROUND DOWNLIGHT**

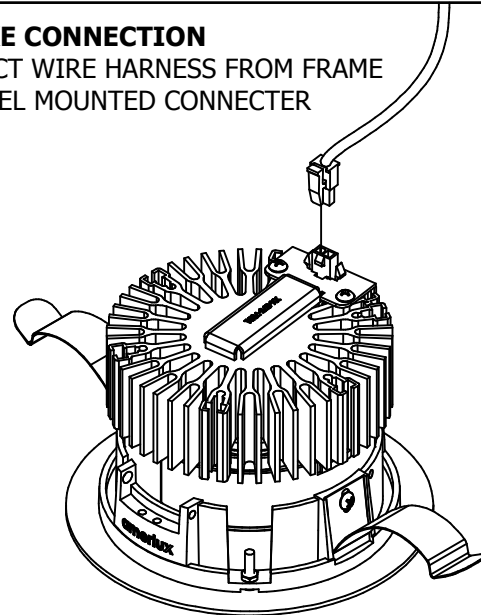


**SQUARE DOWNLIGHT**



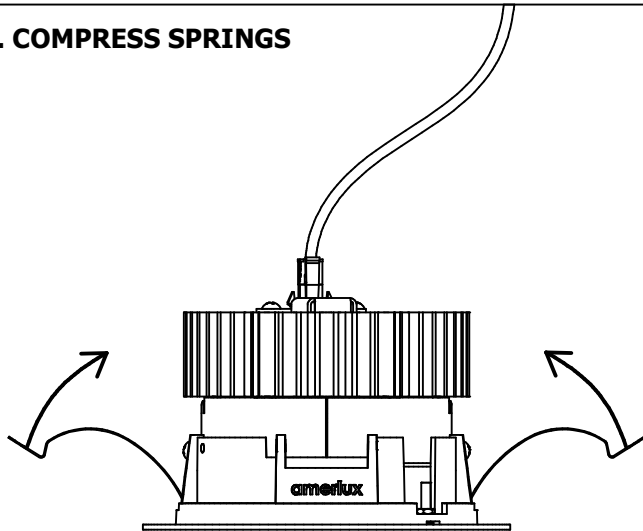
**1. MAKE CONNECTION**

CONNECT WIRE HARNESS FROM FRAME TO PANEL MOUNTED CONNECTOR



**WARNING: DO NOT LET TRIM HANG FREELY BY THE CONNECTORS. DAMAGE TO OPTICAL HEAD MIGHT OCCUR!**

**2. COMPRESS SPRINGS**



**3. INSERT OPTICAL HEAD**

