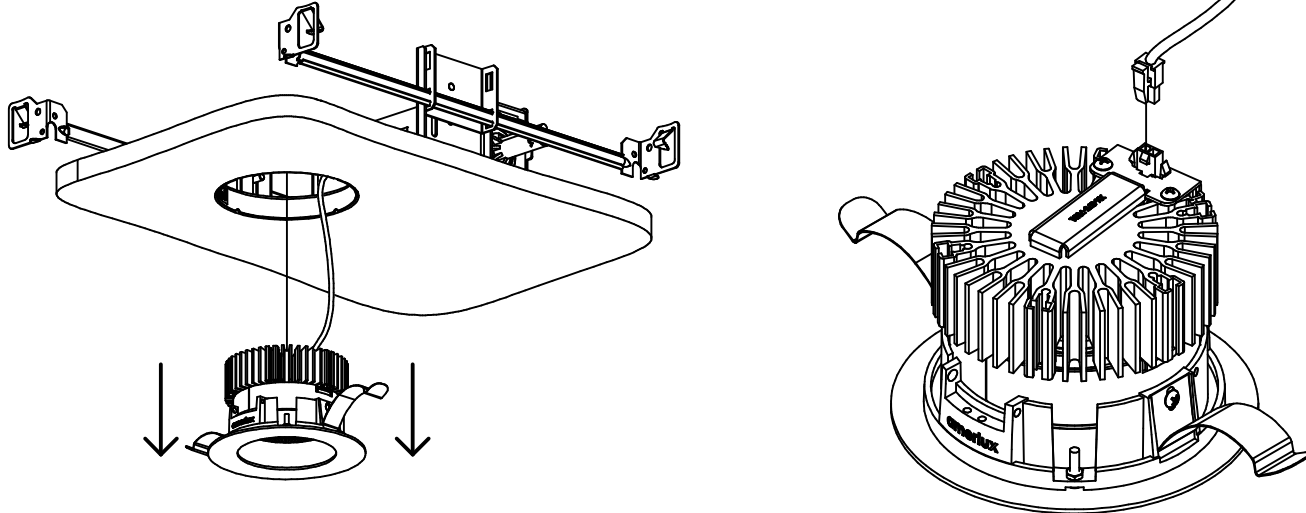


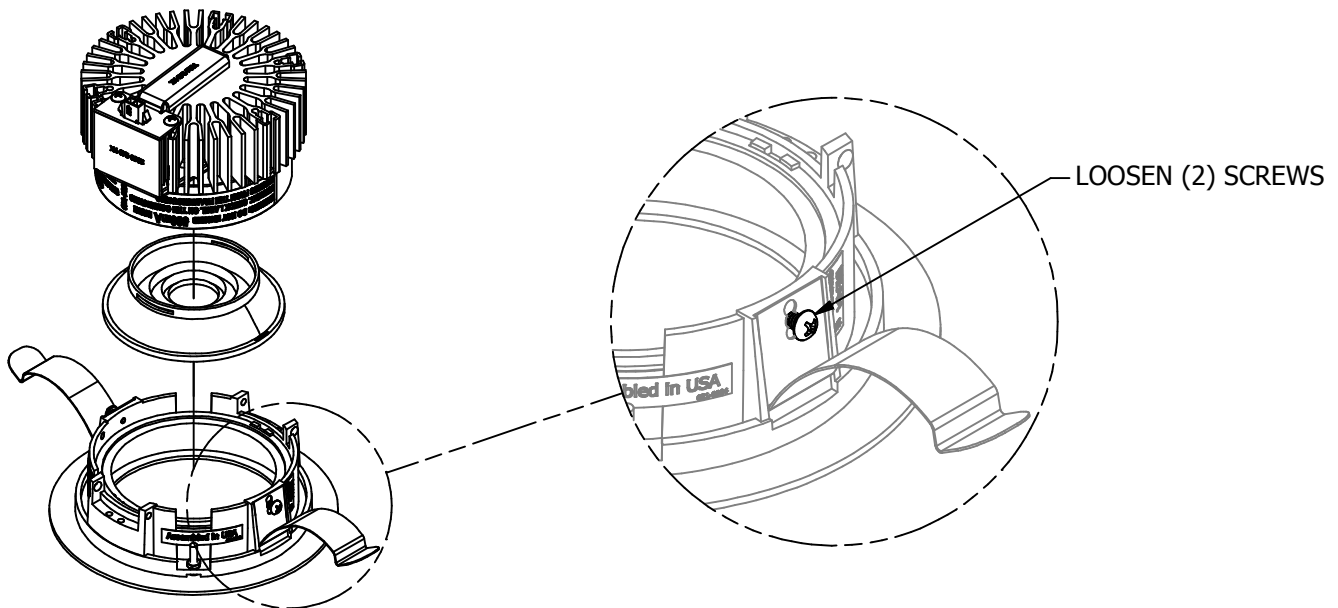
WARNING - RISK OF FIRE AND ELECTRICAL SHOCK. FIXTURE MUST BE INSTALLED BY A QUALIFIED ELECTRICIAN ONLY. FIXTURE IS INTENDED FOR INSTALLATION IN ACCORDANCE WITH THE NATIONAL ELECTRICAL CODE, LOCAL AND FEDERAL SPECIFICATIONS. DISCONNECT POWER AT ELECTRICAL PANEL BEFORE SERVICING. RETAIN THESE INSTRUCTIONS FOR MAINTENANCE REFERENCE.

1. REMOVE TRIM FROM FIXTURE AND DISCONNECT OPTICAL HEAD (IF APPLICABLE)



WARNING: DO NOT LET TRIM HANG FREELY BY THE CONNECTORS. DAMAGE TO OPTICAL HEAD MIGHT OCCUR!

2. LOOSEN (2) SCREWS TO REMOVE OPTICAL HEAD AND REPLACE LENS



3. REINSTALL LENS, HEATSINK (POSITION AS SHOWN ABOVE), AND TIGHTEN SCREWS. RECONNECT TRIM, COMPRESS SPRING CLIPS, AND REINSTALL IN FRAME (IF APPLICABLE)

Amerlux, 178 Bauer Drive, Oakland, N.J. 07436, T: 973-882-5010, F: 973-882-2604 www.amerlux.com