

Essenza®

Round Downlights



Features

Essenza LED Downlights are designed to deliver the features required for your Hotel and Residential High Rise or Commercial projects. Available with 12W or 18W LED modules, and centered around the outputs of traditional MR-16's, the Essenza is perfect for your lighting needs in these areas. The shallow frame (only 3-1/8" plenum depth) is universal to accept either round or square (standard) trims. Trims available include Downlight, Adjustable Accent, Wall Wash and Lensed Shower trims, giving designers the ability to complete any design scheme.

Product Overview

Type: Recessed Round Downlight, Accent, Wall Wash
Wattage: 12W, 18W
Lumen Output: 1,548 max; 87.3 Lm/W (EZRD Spot optic, 3000K-83)
Color Temp: 2200K, 2700K, 3000K, 3500K, 4000K
CRI: 83 typ. (2700K, 3000K, 3500K, 4000K)
 90+ typ. (2200K, 2700K, 3000K, 3500K, 4000K)
 CrispWhite & 3K Class A available
Dimming: TRIAC & ELV (120/277VAC) - 5% Dim
 Lutron Hi-lume® H Series/EcoSystem - 1% dim with soft on, fade to black, 120/277VAC
 0-10V (120/277VAC) - 1% Dim
 DALI dimming - 1% Dim



Downlight



Adjustable

PROJECT:

TYPE:



Lens Wall Wash



Shower



Pinhole Downlight

Fixture Type

New Construction	Remodeler	Trim	Trimless
Yes	Yes	Yes	Yes

Performance Chart

Wattage	83 CRI			90+ CRI		
	Delivered Lumens	LPW	Color Temp	Delivered Lumens	LPW	Color Temp
12	1284	102.4	3000K-83	1074	85.7	3000K-90+
18	1548	87.3	3000K-83	1295	71.94	3000K-90+

Data is EZRD Spot optic. See pages 6-9 for other beam spreads
 18W includes 2W thermal protector

Electrical Data

	12W		18W	
	System Watts	Amps	System Watts	Amps
120V	12	0.10	18	0.15
277V	12	0.04	18	0.06

Electronic constant current LED driver
 18W includes 2W thermal protector



PROJECT:

TYPE:

Housing/Frame Ordering Information

1	2	3	4	5	6
<p>1 <u>Model</u> For New Construction EZ-NC-A17† (New Construction) EZ-CP-A17† (Chicago Plenum (COEA) housing, 12W only) EZ-IC-A17** (Insulated Ceiling/air tight housing, 12W only)</p> <p>For Existing Ceilings EZ-REM-A17† (Remodeler, for existing ceilings)</p>	<p>2 <u>Style</u> T - trimmed RTL - round trimless</p>	<p>3 <u>Wattage</u> 12* 18 (not available for use with CP or IC housing)</p>	<p>4 <u>Voltage</u> 120 277 120/277 (for use with IC housing only)</p>	<p>5 <u>Driver</u> (for non-dimming, select LE/TE option) LE/TE* - TRIAC/ELV dimming HILUME-H-ECO - Lutron Hi-lume® H Series, EcoSystem, 1% dim with soft on, fade to black O-10V* - 0-10V dimming, 1% dim DALI - DALI dimming, 1% dim</p>	<p>6 <u>Options/Accessories</u> EM - integral emergency battery pack with remote test switch, requires 7" ceiling clearance (not available for use with REM, CP or IC option)</p>

Trim Ordering Information

1	2	3	4	5
<p>1 <u>Model</u> EZRD-A17** (downlight) EZRA-A17** (adjustable) EZRLW-A17† (wall wash) EZRSHW-A17** (shower, not available for use in trimless) EZRPD-A17** (pinhole downlight)</p>	<p>2 <u>Style</u> T - trimmed TL - trimless (not available for Shower (EZRSHW) trim)</p>	<p>3 <u>Finish</u> <u>RD/RA/RLW/RSHW Trims:</u> <u>Trimmed</u> MWW - matte white, white flange <u>Trimless</u> MW - matte white</p> <p><u>RPD Trim (Trimmed & Trimless):</u> MW - matte white</p>	<p>4 <u>Beam Spreads</u> (not for use with EZRLW trim) SP - spot, 15° FL - flood, 28° WF - wide flood, 45° (not available for use with EZRPD trim) VWF - very wide flood, 60° (not available for use with EZRPD trim)</p>	<p>5 <u>Color Temp</u> 83 CRI 27 - 2700K-83 30 - 3000K-83 35 - 3500K-83 40 - 4000K-83 90+ CRI 229 - 2200K-90+ 279* - 2700K-90+ 309* - 3000K-90+ 359 - 3500K-90+ 409 - 4000K-90+ CRISP - CrispWhite 3CLA - 3K Class A</p>

* Title 24 Compliant

† The "A" refers to the sequential revision in a year and "XX" refers to the year of update. Updates coincide with improved performance while not changing the overall fixture aesthetic and are reflected in the published performance data. Please contact your Amerlux representative for explanations of changes.

PROJECT:

TYPE:

Specifications

Application

Hospitality, retail and commercial ambient, accent and wall wash lighting

Construction

20 ga. galvanized steel frame
18 ga. galvanized steel splice housing and hanger brackets (not for use with Remodeler version)
Cast aluminum plaster frame with perforated face (for trimless version only)
Die-cast optical housing, trim and heatsink

Optical

Beam spreads (for RD, RA, RSHW & RPD fixtures):

Spot, 15°; Flood, 28°; Wide Flood, 45°;
Very Wide Flood, 60°

Tilt (for RA fixture): 0-30° tilt lock, 355° rotation

Lens:

RLW fixture: Engineered nano technology lens provides high transmission while concealing LED image

Shower fixture: Siliconed solite lens

LED

Color Temp Options:

2200K, 2700K, 3000K, 3500K, 4000K

CRI: 83 typ. (2700K, 3000K, 3500K, 4000K)

90+ typ. (2200K, 2700K, 3000K, 3500K, 4000K)

CrispWhite* LED available,

Class A** 3000K (high CRI, high gamut)

R9 Values: 11 (83 CRI), 55 (92 CRI)

Binning: 3 MacAdam (SDCM)

Life: 50,000+ hrs, > 70% of initial lumens at 50,000 hrs

**CrispWhite: CrispWhite Technology delivers the warmth of colors expected from a high 90 CRI solution but also creates the natural crisp white color that is pleasing to the eye. It creates the most impactful lighting ever available, by revealing the richest whites and vibrant colors that pop.*

***Class A LED: Class A LED's have a CRI > 80 and a GAI > 80. CRI defines color "Naturalness" and GAI defines color "Saturation." Both being high delivers rich colors and pure whites.*

Electrical

Wattage: 12, 18

Electronic constant current LED driver, 120/277VAC input

This product complies with IEEE C62.41 for surge endurance up to 2.5KV. Amerlux® recommends using additional surge protection with this unit (supplied by others), surge and over voltage damage is not covered under warranty.

Note: Drivers are universal but thermal protector is voltage specific

Drivers

LE/TE - Leading Edge, TRIAC, forward phase/Trailing Edge, ELV, reverse phase

0-10V and Lutron systems also available

See pages 13-14 for more dimming information

Finish

Powder coat paint

Consult factory for custom finishes

Mounting

Trimmed

For use in T-grid or sheetrock ceilings, max thickness 1"

Trimless

For use in sheetrock ceilings, max thickness 5/8"

Certifications

CSA listed to UL standards

Damp location

Wet location (with Shower trim)

IC/AT (insulated ceiling/air tight) rated, 12W only, optional

Chicago Plenum (CCEA) optional

Title 24 Compliant (see ordering page for options that apply)

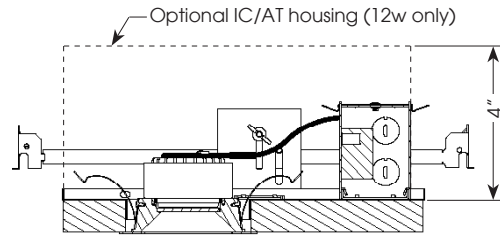
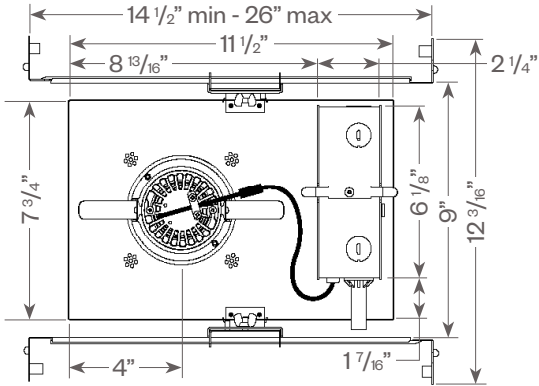
Warranty

3 year limited warranty

PROJECT:

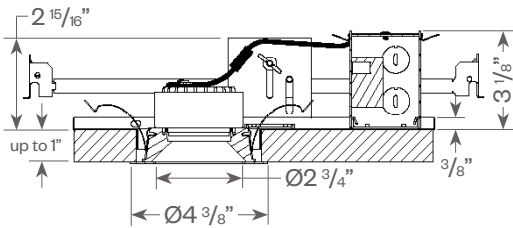
TYPE:

Essenza Round Downlight:

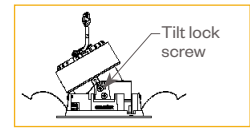
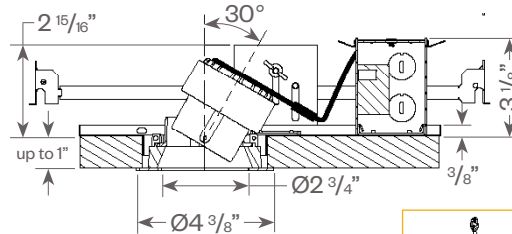


Ceiling cut out: 4" dia.

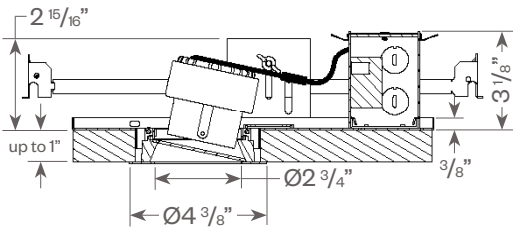
Downlight



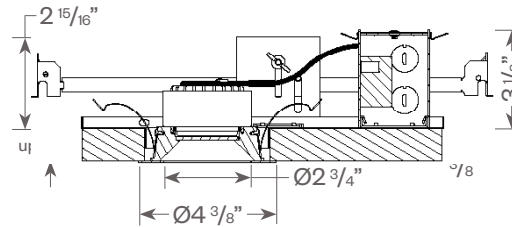
Adjustable



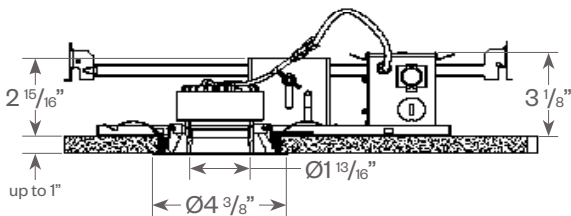
Lens Wall Wash



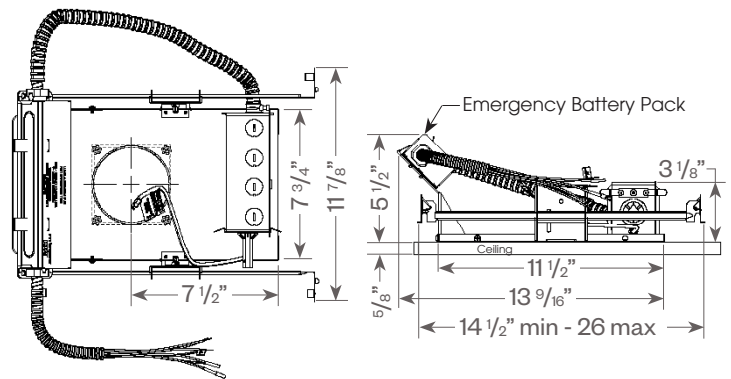
Shower



Pinhole Downlight



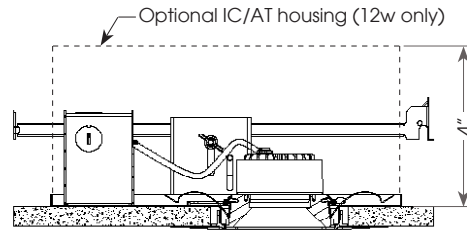
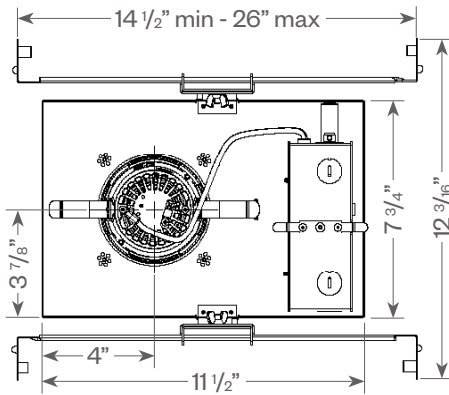
Frame with Emergency Battery Pack



PROJECT:

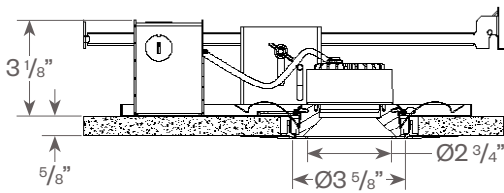
TYPE:

Essenza Round Downlight Trimless:

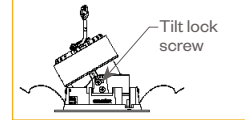
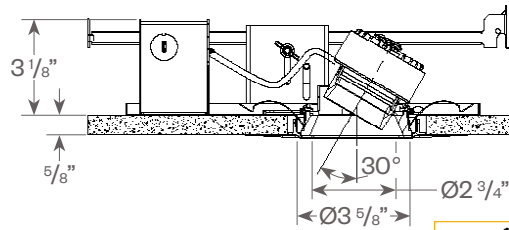


Trimless Ceiling cut out: 4 1/2" dia.

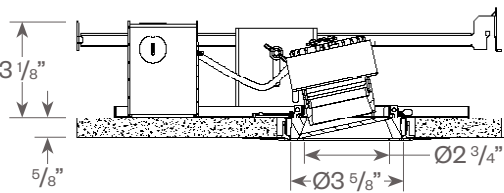
Downlight



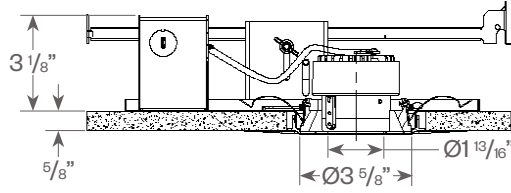
Adjustable



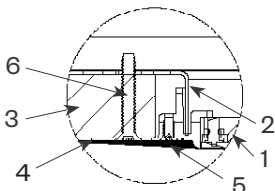
Lens Wall Wash



Pinhole Downlight

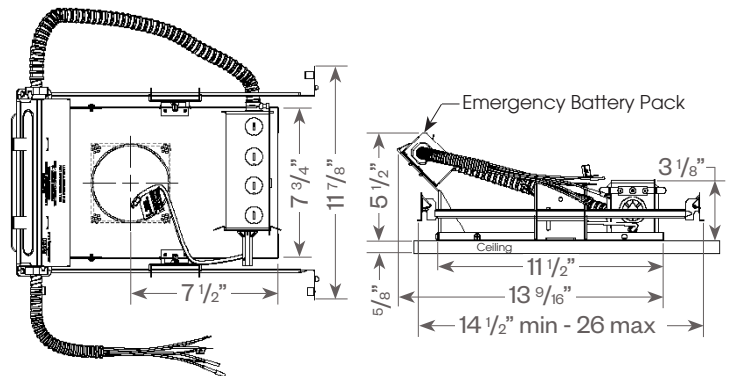


Plaster Frame Installation Detail
(for trimless fixture only)



1. Reflector Trim
2. Aperture plate
3. Ceiling 5/8"
4. Cast Aluminum Plaster Frame
5. Plaster Skim Coat (by others)
6. 6-32 Type F Thread Cutting Screw

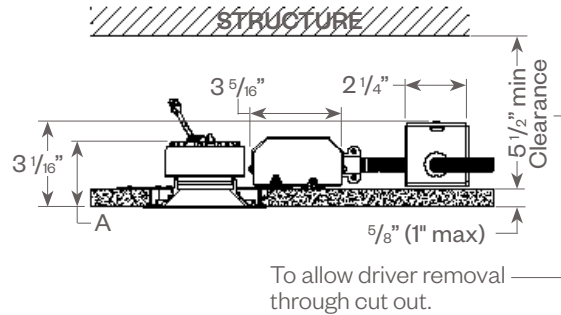
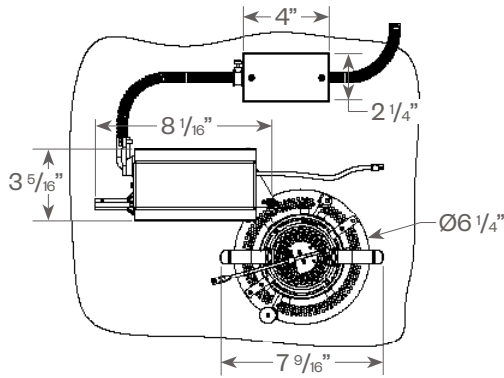
Frame with Emergency Battery Pack



PROJECT:

TYPE:

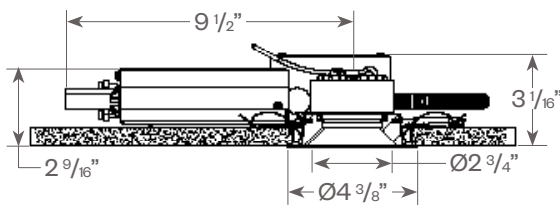
Essenza Round Remodeler:



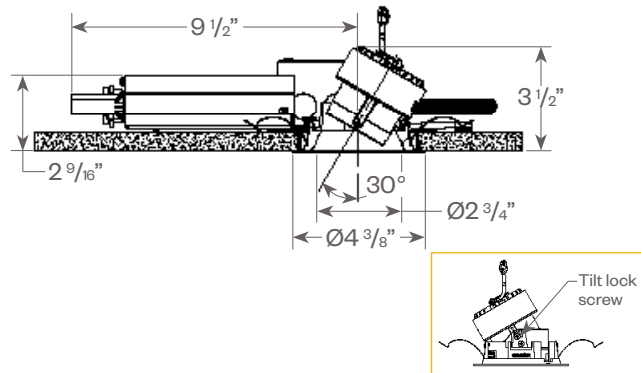
Product	A
EZ-RD-REM	2 3/8"
EZ-RA-REM	3 3/16"
EZ-RLW-REM	3 5/16"
EZ-RSHW-REM	2 3/8"
EZ-RPD-REM	2 1/2"

Ceiling cut out: 4" dia.

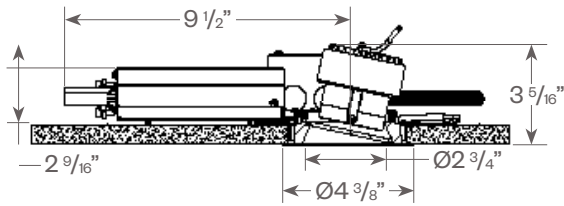
Downlight



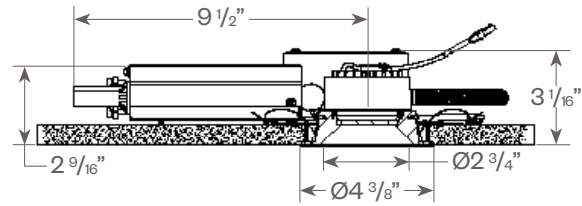
Adjustable



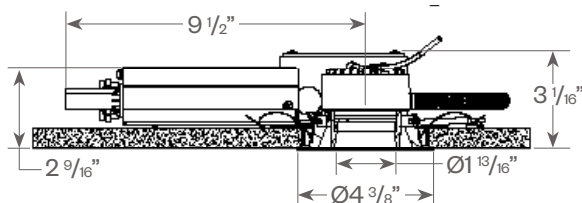
Lens Wall Wash



Shower



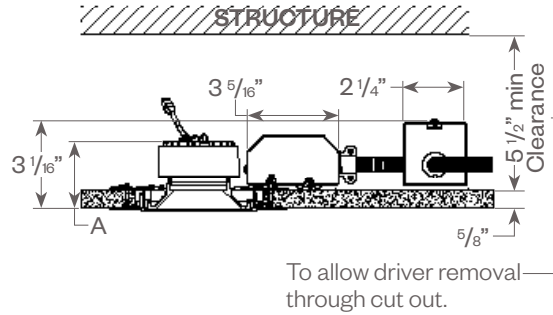
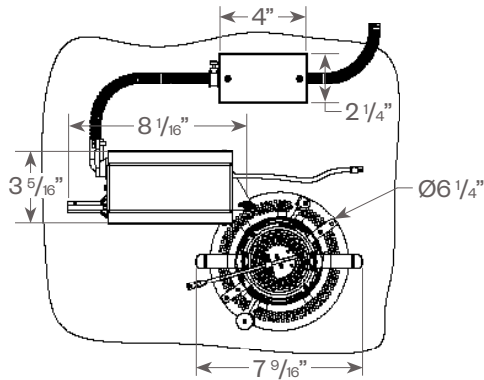
Pinhole Downlight



PROJECT:

TYPE:

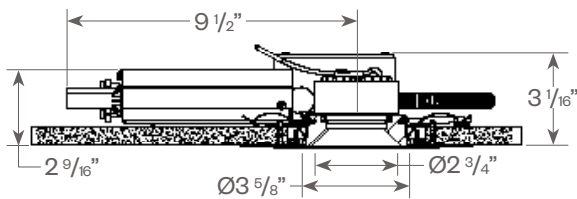
Essenza Round Remodeler Trimless:



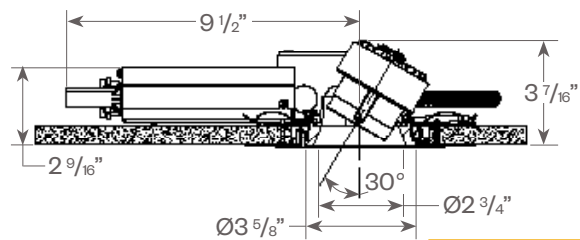
Product	A
EZ-RD-REM-TL	2 5/16"
EZ-RA-REM-TL	3 1/8"
EZ-RLW-REM-TL	3 1/4"
EZ-RPD-REM-TL	2 7/16"

Trimless Ceiling cut out: 4 1/2" dia.

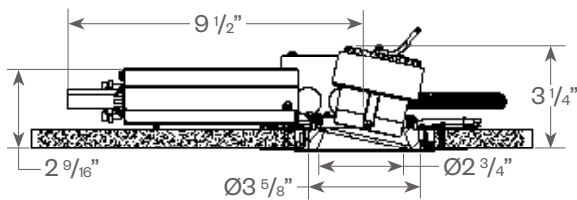
Downlight



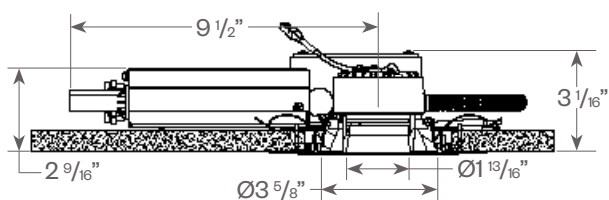
Adjustable



Lens Wall Wash

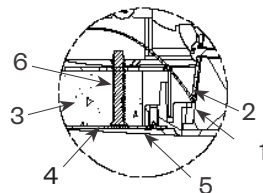


Pinhole Downlight



Plaster Frame Installation Detail (for trimless fixture only)

1. Reflector Trim
2. Aperture plate
3. Ceiling 5/8"
4. Cast Aluminum Plaster Frame
5. Plaster Skim Coat (by others)
6. 6-32 Type F Thread Cutting Screw



PROJECT:

TYPE:

Essenza Round Downlight:

FIXTURE DATA: (Complete photometric data (.ies format) available upon request)

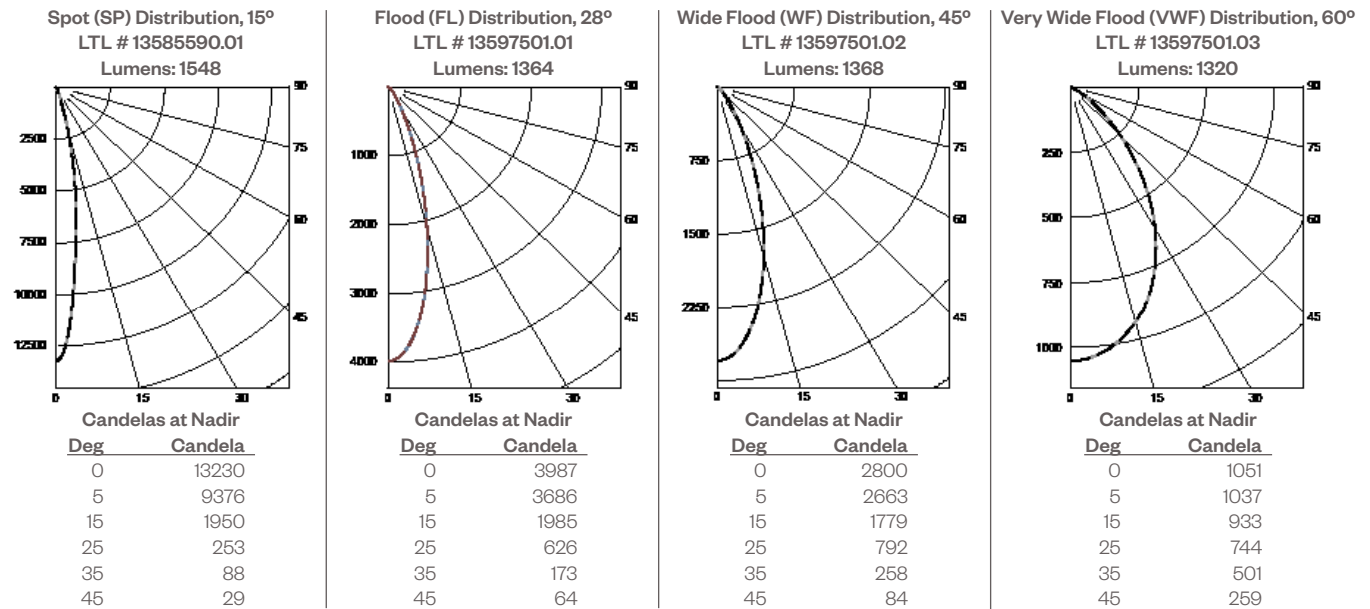
For updated performance issues prior to new IES file publication use the following multipliers on data below.

Wattage:	12W	18W
Factor:	0.83	1.0

CCT:	2700K-83	3000K-83	3500K-83	4000K-83
Factor:	0.96	1.0	1.02	1.04

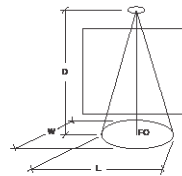
CCT:	2200K-90+	2700K-90+	3000K-90+	3500K-90+	4000K-90+	CRISP	3CLA
Factor:	0.71	0.80	0.83	0.87	0.90	0.65	0.75

18W LED, 3000K-83



Application Data:

	0° Aiming Angle Horizontal Footcandles			
	D	FC	L	W
Spot	5.0'	530	1.4	1.4
	7.5'	236	2.0	2.0
	10.0'	133	2.8	2.8
	12.5'	85	3.5	3.5
Flood	5.0'	160	2.6	2.6
	7.5'	71	3.7	3.7
	10.0'	40	5.0	5.0
	12.5'	26	6.3	6.3
Wide Flood	5.0'	112	3.0	3.0
	7.5'	50	4.6	4.6
	10.0'	28	6.0	6.0
	12.5'	18	7.6	7.6
Very Wide Flood	5.0'	42	5.0	5.0
	7.5'	19	7.4	7.4
	10.0'	11	9.9	9.9
	12.5'	7	12.8	12.8



Notes and Definitions:

- Beam spread is to 50% center beam candlepower (CBCP).
- D=Distance to floor or wall.
- FC=Footcandles on floor or wall at center beam aiming location.
- L=Effective Visual Beam length in feet (50% of maximum footcandle level).
- W=Effective Visual Beam width in feet (50% of maximum footcandle level).
- CB=Distance across or down to center beam location.

PROJECT:

TYPE:

Essenza Round Adjustable:

FIXTURE DATA: (Complete photometric data (.ies format) available upon request)

MULTIPLYING FACTORS: (Multiplying Factor is based on 3000K-83, 120V IES file on website)

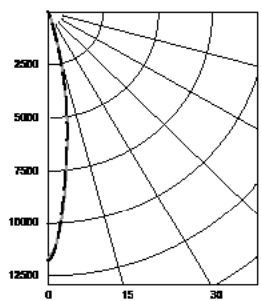
Wattage:	12W	18W
Factor:	0.83	1.0

CCT:	2700K-83	3000K-83	3500K-83	4000K-83
Factor:	0.96	1.0	1.02	1.04

CCT:	2200K-90+	2700K-90+	3000K-90+	3500K-90+	4000K-90+	CRISP	3CLA
Factor:	0.71	0.80	0.83	0.87	0.90	0.65	0.75

18W LED, 3000K-83

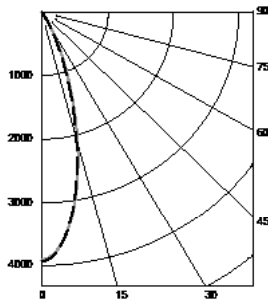
Spot (SP) Distribution
LTL # 13609366.02
Lumens: 1398



Candelas at Nadir

Deg	Candela
0	11760
5	8578
15	1983
25	228
35	22
45	11

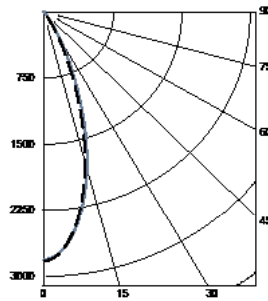
Flood (FL) Distribution
LTL # 13609366.03
Lumens: 1274



Candelas at Nadir

Deg	Candela
0	3935
5	3628
15	2024
25	599
35	88
45	26

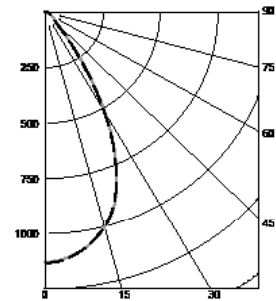
Wide Flood (WF) Distribution
LTL # 13609366.04
Lumens: 1241



Candelas at Nadir

Deg	Candela
0	2823
5	2680
15	1830
25	742
35	135
45	31

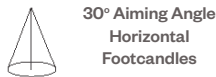
Very Wide Flood (VWF) Distribution
LTL # 13609366.05
Lumens: 1074



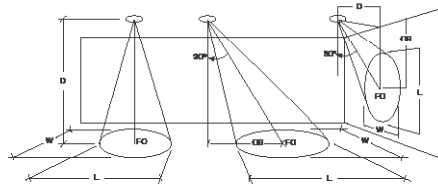
Candelas at Nadir

Deg	Candela
0	1131
5	1112
15	998
25	708
35	283
45	68

Application Data:



	30° Aiming Angle Horizontal Footcandles			
	D	FC	L	W
Spot	5.0'	471	1.5	1.5
	7.5'	210	2.2	2.1
	10.0'	118	3.0	2.9
	12.5'	76	3.6	3.6
Flood	5.0'	158	2.6	2.6
	7.5'	70	3.8	3.7
	10.0'	40	5.1	5.0
	12.5'	25	6.4	6.2
Wide Flood	5.0'	113	3.1	3.0
	7.5'	51	4.6	4.4
	10.0'	29	6.1	5.9
	12.5'	18	7.6	7.4
Very Wide Flood	5.0'	46	4.5	4.5
	7.5'	20	6.8	6.7
	10.0'	12	9.1	9.0
	12.5'	8	11.4	11.3



Notes and Definitions:

Beam spread is to 50% center beam candlepower (CBCP).

D=Distance to floor or wall.

FC=Footcandles on floor or wall at center beam aiming location.

L=Effective Visual Beam length in feet (50% of maximum footcandle level).

W=Effective Visual Beam width in feet (50% of maximum footcandle level).

CB=Distance across or down to center beam location.

PROJECT:

TYPE:

Essenza Round Lens Wall Wash:

FIXTURE DATA: (Complete photometric data (.ies format) available upon request)

MULTIPLYING FACTORS: (Multiplying Factor is based on 3000K-90+ 120V IES file on website)

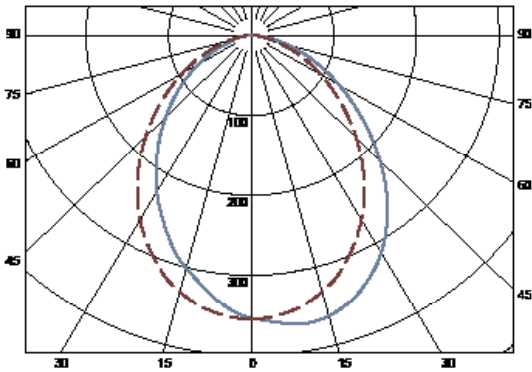
Wattage:	12W	18W
Factor:	0.83	1.0

CCT:	2700K-83	3000K-83	3500K-83	4000K-83
Factor:	0.96	1.0	1.02	1.04

CCT:	2200K-90+	2700K-90+	3000K-90+	3500K-90+	4000K-90+	CRISP	3CLA
Factor:	0.71	0.80	0.83	0.87	0.90	0.65	0.75

18W LED, 3000K-83

Lens Wall Wash (RLW) Distribution
 LTL #13609366.06
 Lumens: 787



ZONAL LUMEN SUMMARY

Zone	Lumens	%Fixt
0-40	413	52.5
0-60	666	84.6
0-90	787	100.0
90-180	0	0.0

Luminaire Efficacy: 43.0 lumens/watt

Application Data:

Footcandles are average and rounded off.
 Data for multiple units are based on a minimum of five units.

Footcandles on Wall

1.5 Feet From Wall

		← 1.5' →		← 1.5' →		
Distance from ceiling	0.5'	35	36	39	36	35
	1.5'	62	65	67	65	62
	2.5'	42	46	47	46	42
	3.5'	26	28	29	28	26
	4.5'	17	18	19	18	17
	5.5'	11	12	13	12	11
	6.5'	8	9	9	9	8
	7.5'	6	7	7	7	6

1.5 Feet From Wall

		← 2' →		← 2' →				
Distance from ceiling	0.5'	25	32	25	33	25	32	25
	1.5'	46	53	49	53	49	53	47
	2.5'	33	36	36	37	36	36	33
	3.5'	21	22	23	24	23	23	21
	4.5'	14	15	15	16	15	15	14
	5.5'	10	10	11	11	11	10	10
	6.5'	7	8	8	8	8	8	7
	7.5'	6	6	6	6	6	6	6

2 Feet From Wall

		← 2' →		← 2' →			
Distance from ceiling	0.5'	15	17	17	17	17	16
	1.5'	31	34	34	35	34	32
	2.5'	31	33	34	34	33	31
	3.5'	23	24	25	26	25	23
	4.5'	16	17	18	18	18	16
	5.5'	11	12	13	13	13	12
	6.5'	9	9	10	10	10	9
	7.5'	7	7	8	8	8	7

PROJECT:

TYPE:

Essenza Round Shower:

FIXTURE DATA: (Complete photometric data (.ies format) available upon request)

MULTIPLYING FACTORS: (Multiplying Factor is based on 3000K-97 120V IES file on website)

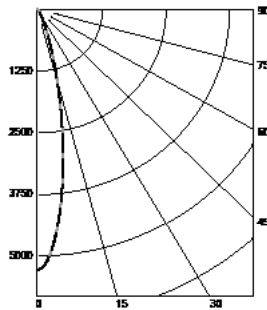
Wattage:	12W	18W
Factor:	0.83	1.0

CCT:	2700K-83	3000K-83	3500K-83	4000K-83
Factor:	1.16	1.20	1.23	1.25

CCT:	2200K-90+	2700K-90+	3000K-90+	3500K-90+	4000K-90+	CRISP	3CLA
Factor:	0.85	0.96	1.0	1.05	1.08	0.79	0.90

18W LED, 3000K-90+

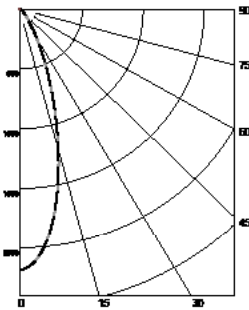
Spot (SP) Distribution, 15°
LTL #1163278
Lumens: 964



Candelas at Nadir

Deg	Candela
0	5276
5	4386
15	1351
25	250
35	77
45	32

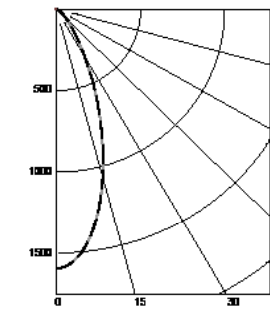
Flood (FL) Distribution, 28°
LTL #1163279
Lumens: 907



Candelas at Nadir

Deg	Candela
0	2186
5	2043
15	1209
25	465
35	152
45	59

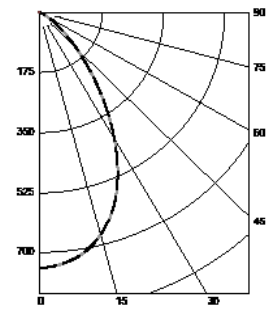
Wide Flood (WF) Distribution, 45°
LTL #1163280
Lumens: 900



Candelas at Nadir

Deg	Candela
0	1594
5	1522
15	1057
25	524
35	204
45	78

Very Wide Flood (VWF) Distribution, 60°
LTL #1163281
Lumens: 876

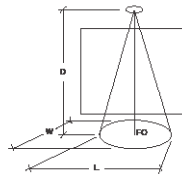


Candelas at Nadir

Deg	Candela
0	745
5	736
15	670
25	524
35	320
45	148

Application Data:

	0° Aiming Angle Horizontal Footcandles			
	D	FC	L	W
Spot	5.0'	211	1.7	1.7
	7.5'	94	2.7	2.7
	10.0'	53	3.5	3.5
	12.5'	34	4.4	4.4
Flood	5.0'	99	2.6	2.6
	7.5'	42	3.8	3.8
	10.0'	23	5.2	5.2
	12.5'	15	6.6	6.6
Wide Flood	5.0'	64	3.2	3.2
	7.5'	29	4.8	4.8
	10.0'	16	6.4	6.4
	12.5'	10	7.9	7.9
Very Wide Flood	5.0'	34	4.6	4.6
	7.5'	15	7.0	7.0
	10.0'	8	9.5	9.5
	12.5'	5	12.2	12.2



Notes and Definitions:

Beam spread is to 50% center beam candlepower (CBCP).

D=Distance to floor or wall.

FC=Footcandles on floor or wall at center beam aiming location.

L=Effective Visual Beam length in feet (50% of maximum footcandle level).

W=Effective Visual Beam width in feet (50% of maximum footcandle level).

CB=Distance across or down to center beam location.

PROJECT:

TYPE:

Essenza Round Pinhole Downlight:

FIXTURE DATA: (Complete photometric data (.ies format) available upon request)

For updated performance issues prior to new IES file publication use the following multipliers on data below.

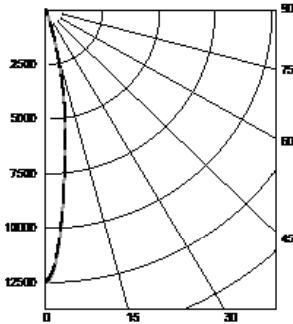
Wattage:	12W	18W
Factor:	0.83	1.0

CCT:	2700K-83	3000K-83	3500K-83	4000K-83
Factor:	0.96	1.0	1.02	1.04

CCT:	2200K-90+	2700K-90+	3000K-90+	3500K-90+	4000K-90+	CRISP	3CLA
Factor:	0.71	0.80	0.83	0.87	0.90	0.65	0.75

18W LED, 3000K-83

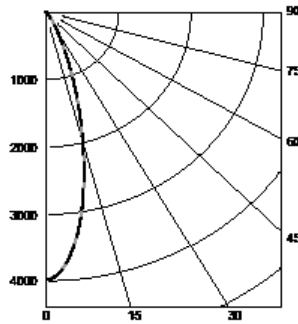
Spot (SP) Distribution, 15°
LTL # 13609366.07
Lumens: 1418



Candelas at Nadir

Deg	Candela
0	12470
5	8696
15	1748
25	214
35	66
45	13

Flood (FL) Distribution, 28°
LTL # 13609366.08A
Lumens: 1304



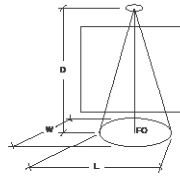
Candelas at Nadir

Deg	Candela
0	3985
5	3667
15	1932
25	578
35	150
45	39

Application Data:

0° Aiming Angle
Horizontal
Footcandles

	D	FC	L	W
Spot	5.0'	499	1.4	1.4
	7.5'	222	2.0	2.0
	10.0'	125	2.8	2.8
	12.5'	80	3.5	3.5
Flood	5.0'	160	2.6	2.6
	7.5'	71	3.7	3.7
	10.0'	40	5.0	5.0
	12.5'	26	6.2	6.2



Notes and Definitions:

Beam spread is to 50% center beam candlepower (CBCP).

D=Distance to floor or wall.

FC=Footcandles on floor or wall at center beam aiming location.

L=Effective Visual Beam length in feet (50% of maximum footcandle level).

W=Effective Visual Beam width in feet (50% of maximum footcandle level).

CB=Distance across or down to center beam location.

PROJECT:

TYPE:

DIMMING COMPATIBILITY:

Amerlux® Essenza fixtures are compatible with all major dimming protocols prevalent in the United States. Please see below for general compatibilities and wiring diagrams. Amerlux recommends testing your unique dimming configuration as the exact full configuration (Dimmer, Fixture Quantity, Voltage, etc) may affect dimming performance.

--- NOTE: INFORMATION BELOW IS FOR WIRED DIMMERS ONLY. FOR WIRELESS DIMMERS, CONSULT FACTORY ---

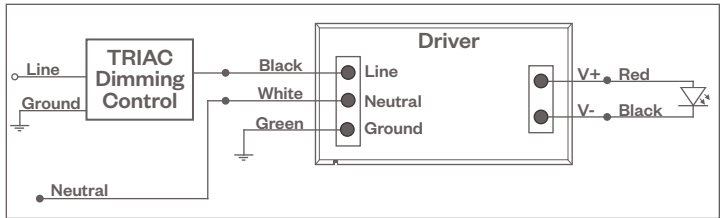
TRIAC (Forward Phase) DIMMING (Standard)

Utilizes standard TRIAC dimmers that are in wide use in installations across the US. Best for retrofit applications where TRIAC dimmers are installed.

Notes:

- 120VAC or 277VAC*
- Dims down to 5% light output (most cases)
- Consult Dimming manufacturer for installation instructions - DO NOT SHARE NEUTRALS!
- Must meet dimmer Minimum Load Requirements per dimming manufacturer

TRIAC Wiring Diagram



Compatible Dimmers†:

Wall Box (TRIAC 120VAC)	Central System
Lutron "Diva"	Lutron "GP" Panel
Lutron "Nova-T"	Lutron Grafik Eye QS
Lutron "Maestro"	
Lutron "Vareo"	
Lutron "Skylark"	

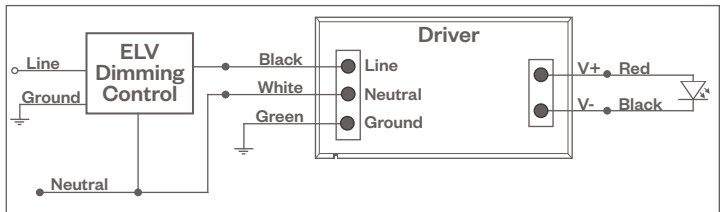
ELV - Electronic Low Voltage (Reverse Phase) DIMMING (Standard)

Utilizes specialized "ELV" dimmers.

Notes:

- 120VAC or 277VAC*
- Dims down to 5% light output (most cases)
- Consult Dimming manufacturer for installation instructions - DO NOT SHARE NEUTRALS!
- Must meet dimmer Minimum Load Requirements

ELV Wiring Diagram



Compatible Dimmers†:

Wall Box (ELV 120VAC)	Wall Box (ELV 277VAC)	Central System
Lutron "Diva"	Leviton Revoir II AWSMT-E	Lutron "GP" Panel with PHPM-PA 120/277VAC
Lutron "Nova-T"		Lutron Grafik Eye QS with PHPM-PA 120/277VAC
Lutron "Maestro"		
Lutron "Vareo"		
Lutron "Skylark"		
Leviton "Surslide"		
Leviton "Vizio"		

Notes:

- * Driver is 277VAC dimmable with appropriate dimmer (by others). All provided wiring diagrams show 120VAC wiring colors and method. Please refer to 277VAC dimmer manufacturer installation instructions for 277VAC wiring diagrams.
- † The absence of a dimmer from the lists above does not imply incompatibility. Please consult factory for compatibility inquiries.

PROJECT:

TYPE:

DIMMING COMPATIBILITY:

Amerlux® Essenza fixtures are compatible with all major dimming protocols prevalent in the United States. Please see below for general compatibilities and wiring diagrams. Amerlux recommends testing your unique dimming configuration as the exact full configuration (Dimmer, Fixture Quantity, Voltage, etc) may affect dimming performance.

--- NOTE: INFORMATION BELOW IS FOR WIRED DIMMERS ONLY. FOR WIRELESS DIMMERS, CONSULT FACTORY ---

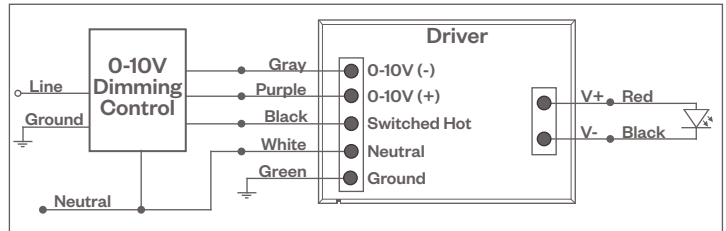
0-10V DIMMING

Integrates into a variety of building management and daylighting controls

Notes:

- 120VAC or 277VAC*
- Dims down to 1% light output
- Requires interface to turn off power to driver
- Consult Dimming manufacturer for installation instructions - DO NOT SHARE NEUTRALS!

0-10V Wiring Diagram



Compatible Dimmers*:

Wall Box

Lutron "Diva" - DTVV with PP-120H Interface

Leviton Renoir II 0-10V

Central System

Lutron Grafik Eye with GRX-TV1 Interface

LUTRON H-SERIES / ECOSYSTEM DIMMING

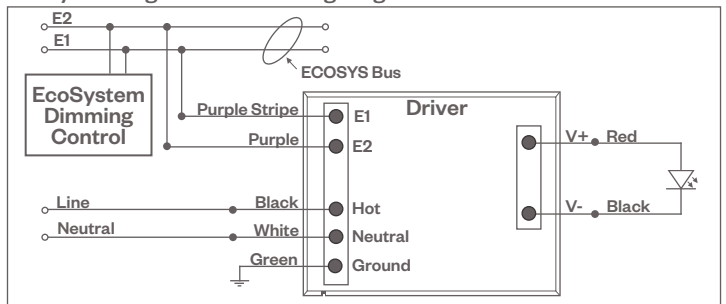
Integrates into Lutron EcoSystem building management

Notes:

- 120VAC or 277VAC*
- Dims down to 1% light output
- EcoSystem Control
- Consult Dimming manufacturer for installation instructions - DO NOT SHARE NEUTRALS!

HILUME-H-ECO, HILUME-5-ECO

EcoSystem Digital Control Wiring Diagram



Compatible Dimmers*:

Lutron ECO System

Pow Pak Dimming Modules
Energj Savr Node
Grafik Eye QS/Homeworks
QS Control Unit
Quantum Hub
Homeworks QS/My Room

Central System

Lutron EcoSystem compatible controls

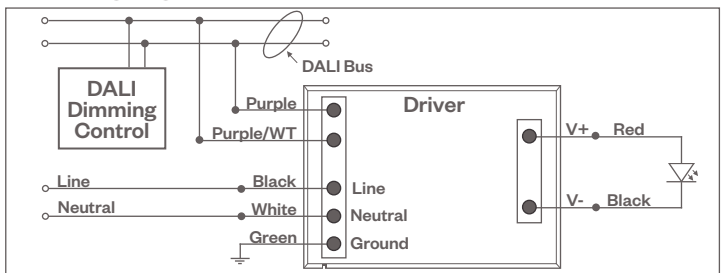
DALI DIMMING

Digital control protocol allows individual fixture control

Notes:

- 120VAC - 277VAC*
- Dims down to 1% light output in most cases

DALI Wiring Diagram



Compatible Dimmers*:

Wall Box (3-Wire Fluorescent)

Leviton CD250 Controller

Central System

Dynalite
Fifth Light

Notes:

- * Driver is 277VAC dimmable with appropriate dimmer (by others). All provided wiring diagrams show 120VAC wiring colors and method. Please refer to 277VAC dimmer manufacturer installation instructions for 277VAC wiring diagrams.
- † The absence of a dimmer from the lists above does not imply incompatibility. Please consult factory for compatibility inquiries.