



INSTRUCTION SHEET

CUBEBITS MAINTENANCE

689-1034

PAGE 1 OF 1

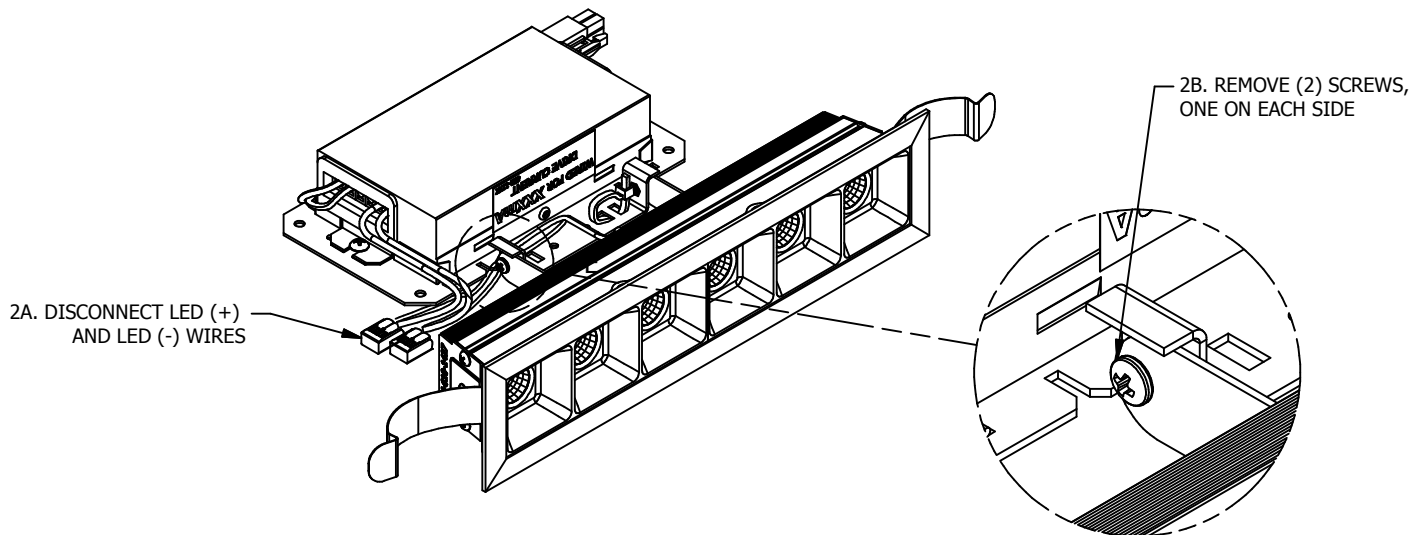
WARNING - RISK OF FIRE AND ELECTRICAL SHOCK. FIXTURE MUST BE INSTALLED BY A QUALIFIED ELECTRICIAN ONLY. FIXTURE IS INTENDED FOR INSTALLATION IN ACCORDANCE WITH THE NATIONAL ELECTRICAL CODE, LOCAL AND FEDERAL SPECIFICATIONS. DISCONNECT POWER AT ELECTRICAL PANEL BEFORE SERVICING.

RETAIN THESE INSTRUCTIONS FOR MAINTENANCE REFERENCE.

1. REFER TO **689-0777** FOR TRIM REMOVAL

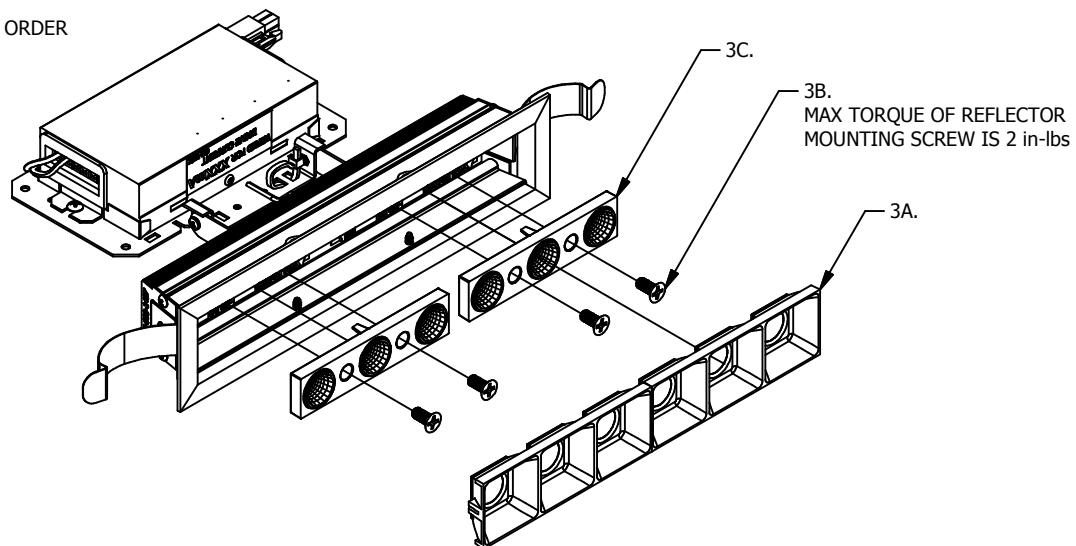
2. OPTICAL HEAD / DRIVER MAINTENANCE

- A. DISCONNECT LED WIRING
- B. REMOVE SCREWS



3. BEAM SPREAD REPLACEMENT

- A. REMOVE BAFFLE *by pulling down on it (it is held up by magnets).*
- B. REMOVE SCREWS
- C. REPLACE REFLECTOR
- D. ASSEMBLE IN REVERSE ORDER



4. REFER BACK TO 689-0777 FOR TRIM INSTALLATION

Amerlux, 178 Bauer Drive, Oakland, N.J. 07436, T: 973-882-5010, F: 973-882-2604 www.amerlux.com