

INSTRUCTION SHEET



CUBEBITS NEW CONSTRUCTION FRAME INSTALLATION

689-0776

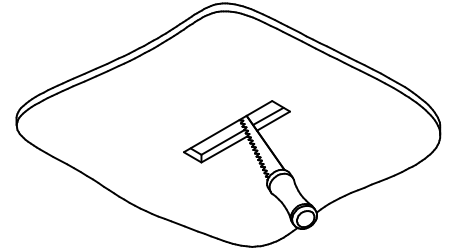
PAGE 1 OF 1

WARNING - RISK OF FIRE AND ELECTRICAL SHOCK. FIXTURE MUST BE INSTALLED BY A QUALIFIED ELECTRICIAN ONLY. FIXTURE IS INTENDED FOR INSTALLATION IN ACCORDANCE WITH THE NATIONAL ELECTRICAL CODE, LOCAL AND FEDERAL SPECIFICATIONS. DISCONNECT POWER AT ELECTRICAL PANEL BEFORE SERVICING. RETAIN THESE INSTRUCTIONS FOR MAINTENANCE REFERENCE.

CEILING CUTOUTS

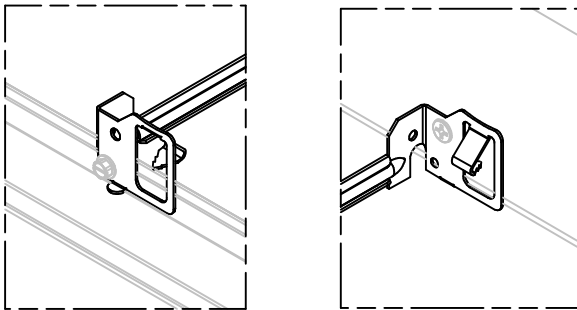
TRIMMED / TRIMLESS	
FIXTURE	DIMENSION (in)
3LT	1.6875" X 4.375"
6LT	1.6875" X 8.375"
9LT	1.6875" X 12.313"
12LT	1.6875" X 16.313"

MILLWORK	
FIXTURE	DIMENSION (in)
3LT	1.346" X 3.989"
6LT	1.346" X 7.957"
9LT	1.346" X 11.926"
12LT	1.346" X 15.894"



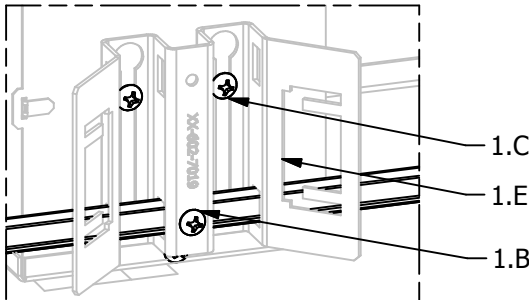
1. INSTALL FRAME (FIXTURE SHALL SIT ON TOP OF THE CEILING)

A. FASTEN TO STRUCTURAL MEMBER, T-BAR, WOOD, OR METAL STRUCTURE

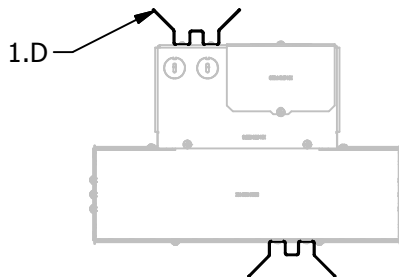


B. LOCK HANGER BARS USING PROVIDED SCREW

C. LOOSEN SCREWS AND ADJUST FIXTURE TO DESIRED DIMENSION



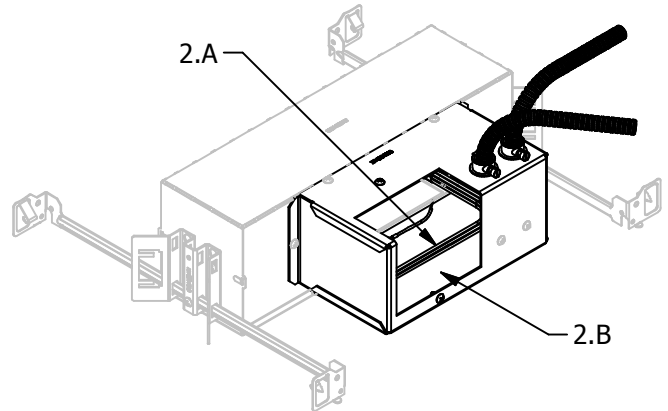
D. ALTERNATIVE MOUNTING FOR HANGER BAR BRACKETS SHOWN BELOW (LOOSEN SCREW AND REMOVE BRACKETS USING KEY SLOTS)



E. HANGER BAR BRACKET WILL WORK WITH STANDARD C-CHANNEL. FOR OTHER HANGER BAR OPTIONS, CONTACT AMERLUX

2. MAKE ELECTRICAL CONNECTIONS

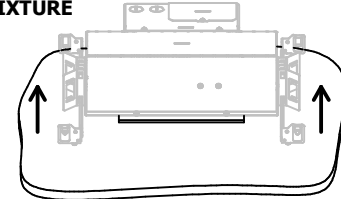
A. CONNECT TO PROVIDED WIRE HARNESS



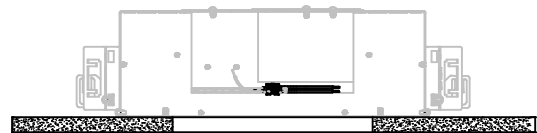
B. KEEP WIRES CONTAINED IN JUNCTION BOX AS CLOSE TO THE ACCESS PLATE AS POSSIBLE. LEAVE 6"-8" OF WIRE AND ENSURE THAT SPLICES ARE ACCESSIBLE THROUGH CEILING CUTOUT.

3. INSTALL CEILING

A. **CAUTION**, MAKE ANY NECESSARY HEIGHT ADJUSTMENTS PRIOR TO CEILING INSTALLATION. **ADJUSTMENT CANNOT BE MADE FROM THE INSIDE OF THE FIXTURE**



B. ENSURE HOUSING SITS ON TOP OF THE CEILING



C. LEAVE THE WIRE HARNESS HANGING OUT OF THE CEILING OR EASILY ACCESSIBLE

Amerlux, 178 Bauer Drive, Oakland, N.J. 07436, T: 973-882-5010, F: 973-882-2604 www.amerlux.com