



INSTRUCTION SHEET

CUBEBITS TRIMLESS INSTALLATION

689-0844

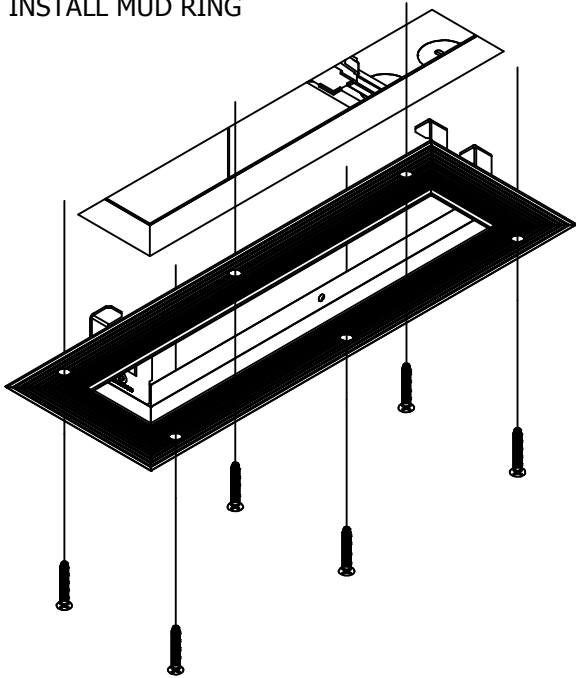
PAGE 1 OF 1

WARNING - RISK OF FIRE AND ELECTRICAL SHOCK. FIXTURE MUST BE INSTALLED BY A QUALIFIED ELECTRICIAN ONLY. FIXTURE IS INTENDED FOR INSTALLATION IN ACCORDANCE WITH THE NATIONAL ELECTRICAL CODE, LOCAL AND FEDERAL SPECIFICATIONS. DISCONNECT POWER AT ELECTRICAL PANEL BEFORE SERVICING.

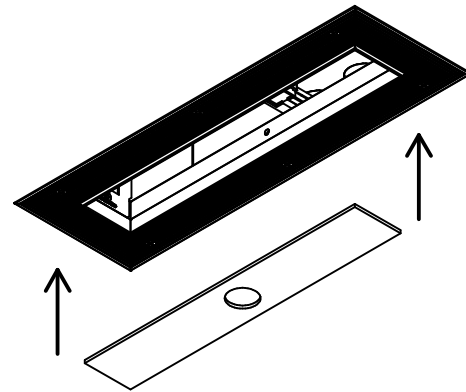
RETAIN THESE INSTRUCTIONS FOR MAINTENANCE REFERENCE.

1. REFER TO **689-0776** FOR FRAME INSTALLATION

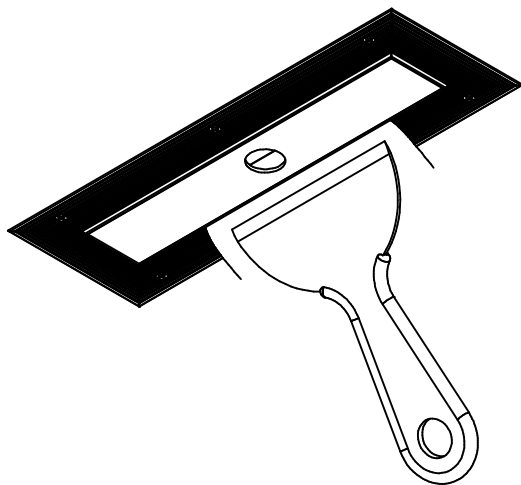
2. INSTALL MUD RING



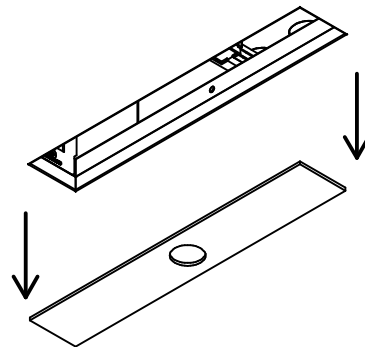
3. INSTALL CARDBOARD PLUG



4. APPLY SPACKLE, SAND, PAINT, AND FINISH AS PER INDUSTRY STANDARDS



5. REMOVE PLUG AND PROCEED TO INSTALL TRIM AS PER INSTRUCTION SHEET 689-0777



Amerlux, 178 Bauer Drive, Oakland, N.J. 07436, T: 973-882-5010, F: 973-882-2604 www.amerlux.com