

Cubebits

Recessed Wall Wash

6 Cell

Quick Reference: CUBE-06-WW



Features

Cubebits Wall Wash, a recessed linear wall wash form gives specifiers and designers an opportunity to make a statement with design and performance. The 1.5" wide profile is compatible with grid and hard ceiling for up to 1-1/2" ceiling thickness. The wall wash comes standard with dimming capability and a back side shield for room side comfort. Easy installation and good wall washing comes together in the product without compromising on the performance.

Product Overview

Type:	Recessed Wall Wash		
Wattage:	7.5, 12, 15.6		
Lumen Output:	776 lm; 49.7 lm/W		
Color Temp:	2700K, 3000K, 3500K, 4000K		
CRI:	90 CRI		
Dimming:	0-10V (120-277VAC) - 1% Dim ELV (120VAC) - 5% Dim		
Weight (lb):	Frame/Housing	Trim	Combined
	4.5	1.2	5.7



PROJECT:

TYPE:

Fixture Summary *(see following pages for more information)*

Performance Chart: Lumen Output

Watts	6 Cell	
	Black	White
L (7.5W)	351	373
M (12W)	562	598
H (15.6W)	729	776

Electrical Data

Watts	Volts	6 Cell	
		System Watts	Amps
L (7.5W)	120	7.6	0.06
	277	7.8	0.04
M (12W)	120	10.7	0.09
	277	11	0.05
L (15.6W)	120	14.8	0.12
	277	15.1	0.06

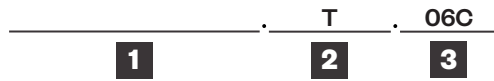
Electronic constant current LED driver, 120V



PROJECT:

TYPE:

Housing Ordering Information



- | | |
|---|--|
| <p>1 <u>Model</u>
 CUBE-NC (new construction)
 CUBE-CP (Chicago Plenum (CCEA))
 CUBE-IC (insulated ceiling/air tight)</p> <p>2 <u>Style</u>
 T - trimmed (5/8" to 1-1/2" ceiling thickness)</p> | <p>3 <u>Housing Size</u>
 06C - 6 cell</p> |
|---|--|

Trim Ordering Information



- | | |
|--|--|
| <p>1 <u>Model</u> (must match Housing Size of same # of cells)
 CUBE-06-WW - trim module 6 Cell</p> <p>2 <u>Style</u>
 T - trimmed</p> <p>3 <u>Wattage</u>
 L - low, 1.25W per cell (7.5W)
 M - medium, 2W per cell (12W)
 H - high, 2.6W per cell (15.6W)</p> <p>4 <u>Trim/Shield Finish</u>
 MW - matte white
 MB - matte black</p> <p>5 <u>Voltage</u>
 120
 120-277 (not available for use with ELV dimming)</p> | <p>6 <u>Color Temp</u>
 90+ CRI:
 279 - 2700K
 309 - 3000K
 359 - 3500K
 409 - 4000K</p> <p>7 <u>Driver</u>
 0-10V - 0-10V dimming; 277V with 120V-277V, 1% dim
 ELV - ELV dimming, 120V only, 5% dim</p> |
|--|--|

Cubebits

Recessed Wall Wash, LED



PROJECT:

TYPE:

Specifications

Application

Retail, commercial and hospitality wall wash lighting

Finish

Powder coat paint

Construction

Stamped steel mounting frame with integral mounting bars
Steel driver housing
Steel upper housing and die-cast trim
Extruded aluminum optical head construction

Mounting

For use in T-Grid or GB ceilings; max ceiling thickness 1 1/2"
Adjustable hanger bars included (14 1/4" - 26" std.)
(32"-48" Adjustable hanger bars available)

Optical

Reflector cell base with diffusion optical film

Certifications

CSA listed to UL standards. Suitable for damp locations
Indoor use only

LED

Color Temp Options: 2700K, 3000K, 3500K, 4000K
CRI: 90+ typ.
R9 Values: 55 (90+ CRI)
Binning: 3 MacAdam (SDCM)
Life: 50,000+ hrs, > 70% of initial lumens at 50,000 hrs

Warranty

5 year limited warranty

Electrical

Wattage: 7.5, 12, 15.6
Electronic constant current LED driver, 120/277VAC input
This product complies with IEEE C62.41 for surge endurance up to 2.5KV. Amerlux® recommends using additional surge protection with this unit (supplied by others), surge and over voltage damage is not covered under warranty.

Drivers

0-10V - 0-10V dimming; 277V with 120V-277V, 1% dim
ELV - ELV dimming, 120V only, 5% dim

Cubebits

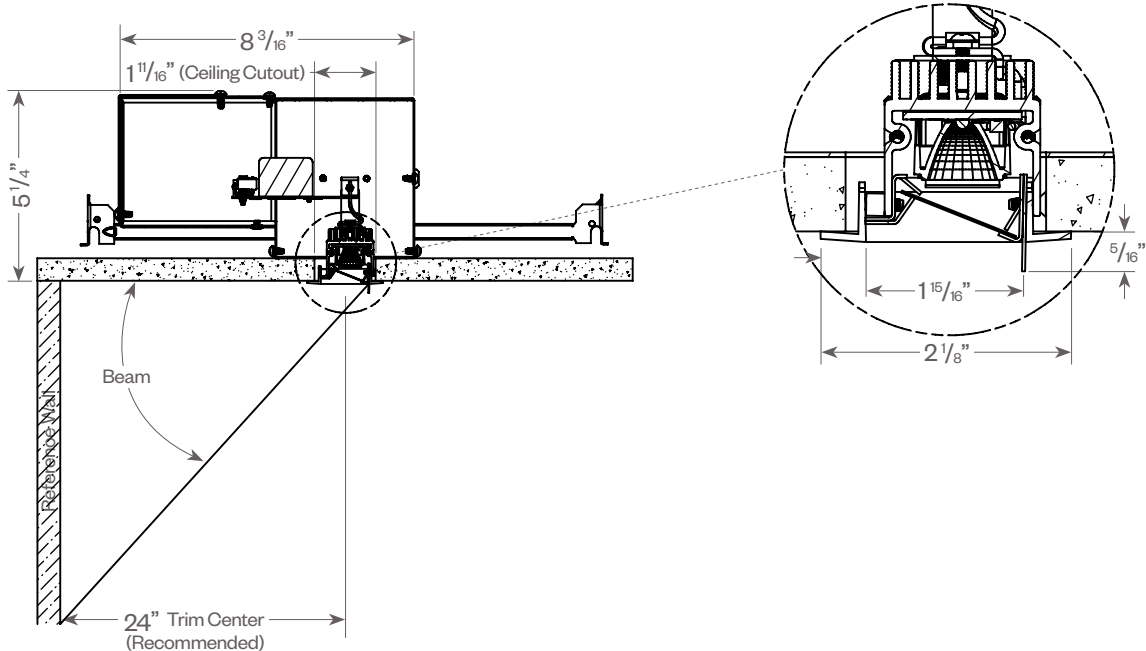
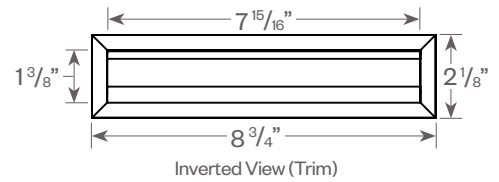
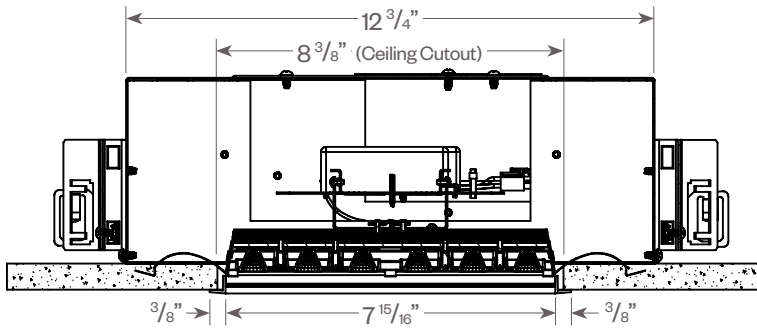
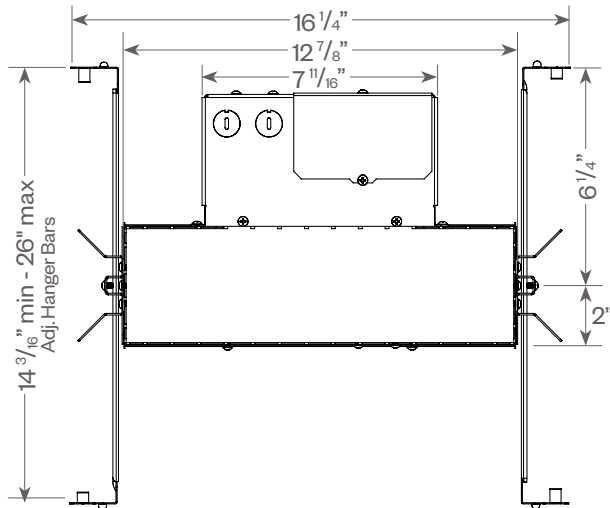
Recessed Wall Wash, LED



PROJECT:

TYPE:

DIMENSIONS:



Cubebits

Recessed Wall Wash, LED



PROJECT:

TYPE:

FIXTURE DATA: (Complete photometric data (.ies format) available upon request)

MULTIPLYING FACTORS:

Wattage:	7.5	12	15.6
Factor:	0.48	0.77	1.0

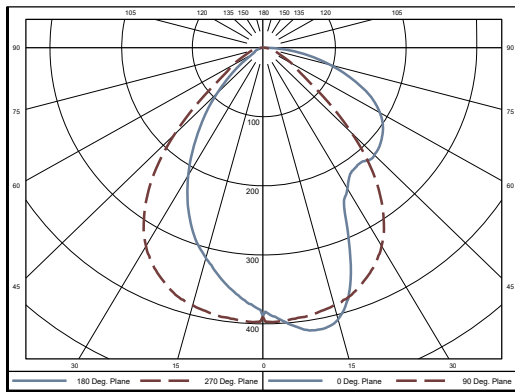
Color:	Black	White
Factor:	0.94	1.0

CCT:	2700K	3000K	3500K	4000K
Factor:	0.96	1.0	1.05	1.08

* Available 6 Cell on only

CUBE-O6-WW-H-W-120/277-309

Watts: 15.6W; Lumens: 776 lm



ZONAL LUMEN SUMMARY

Zone	Lumens	%Fixt
0-40	428	55.2
0-60	654	84.3
0-90	776	100.0
90-180	0	0.00

Luminaire Efficacy: 49.7 lm/W

Application Data:

Footcandles are average and rounded off.
Data for multiple units are based on a minimum of five units.

Fixtures 2' off wall; 2' on center

Distance from ceiling	0.5'	30	32	31	33	31	32	31	32	32	32	31
	1.5'	43	46	45	47	46	47	46	47	45	47	45
	2.5'	29	31	31	32	31	32	32	32	31	31	31
	3.5'	20	21	22	22	22	23	22	23	22	22	22
	4.5'	15	16	17	17	17	17	17	17	17	17	17
	5.5'	12	13	14	14	14	14	14	14	14	124	14
	6.5'	10	11	12	12	12	12	12	12	12	12	11
	7.5'	9	9	10	10	10	10	10	10	10	10	10
	8.5'	8	8	9	9	9	9	9	9	9	9	8

PROJECT:

TYPE:

DIMMING COMPATIBILITY:

Amerlux® Cubebits fixtures are compatible with all major dimming protocols prevalent in the United States. Please see below for general compatibilities and wiring diagrams. Amerlux recommends testing your unique dimming configuration as the exact full configuration (Dimmer, Fixture Quantity, Voltage, etc) may affect dimming performance.

--- NOTE: INFORMATION BELOW IS FOR WIRED DIMMERS ONLY. FOR WIRELESS DIMMERS, CONSULT FACTORY ---

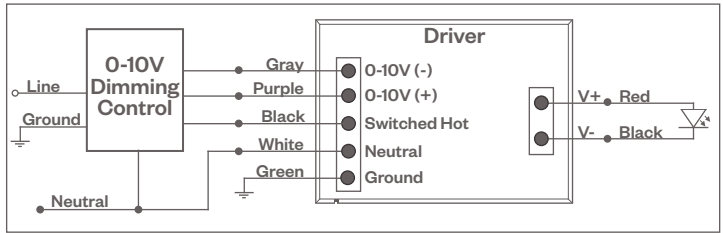
0-10V - DIMMING

Integrates into a variety of building management and daylighting controls

Notes:

- 120VAC or 277VAC*
- Dims down to 1% light output
- Requires interface to turn off power to driver
- Consult Dimming manufacturer for installation instructions - DO NOT SHARE NEUTRALS!

0-10V Wiring Diagram



Compatible Dimmers†:

Wall Box

Lutron "Diva" - DTVV with PP-120H Interface

Leviton Renoir II 0-10V

Central System

Lutron Grafik Eye with GRX-TVI Interface

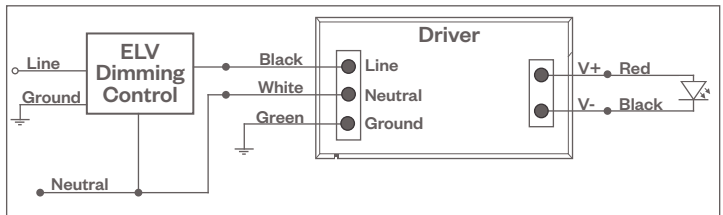
ELV - Electronic Low Voltage (Reverse Phase)

Utilizes specialized "ELV" dimmers.

Notes:

- 120VAC
- Dims down to 5% light output (most cases)
- Consult Dimming manufacturer for installation instructions - DO NOT SHARE NEUTRALS!
- Must meet dimmer Minimum Load Requirements

ELV Wiring Diagram



Compatible Dimmers†:

Wall Box (ELV Style)

Lutron "Diva"
Lutron "Nova-T"
Lutron "Maestro"
Lutron "Vareo"
Lutron "Skylark"

Leviton "Surslide"
Leviton "Vizio"

Central System

Lutron "GP" Panel with PHPM-PA Interface
Lutron Grafik Eye QS with PHPM-PA Interface

Notes:

- * Driver is 277VAC dimmable with appropriate dimmer (by others). All provided wiring diagrams show 120VAC wiring colors and method. Please refer to 277VAC dimmer installation instructions for 277VAC wiring diagrams.
- † The absence of a dimmer from the lists above does not imply incompatibility. Please consult factory for compatibility inquiries.