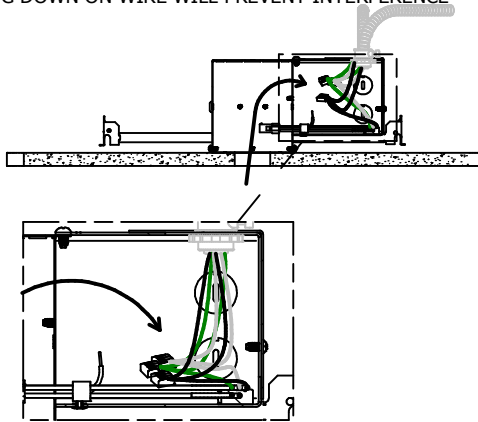


WARNING - RISK OF FIRE AND ELECTRICAL SHOCK. FIXTURE MUST BE INSTALLED BY A QUALIFIED ELECTRICIAN ONLY. FIXTURE IS INTENDED FOR INSTALLATION IN ACCORDANCE WITH THE NATIONAL ELECTRICAL CODE, LOCAL AND FEDERAL SPECIFICATIONS. DISCONNECT POWER AT ELECTRICAL PANEL BEFORE SERVICING.

RETAIN THESE INSTRUCTIONS FOR MAINTENANCE REFERENCE.

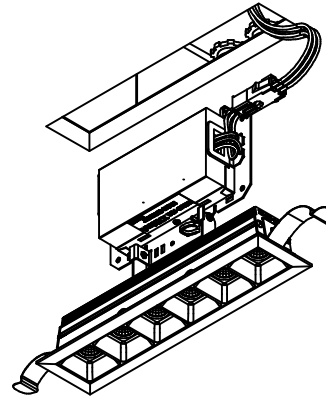
1. PUSH DOWN ON WIRE

A. PUSHING DOWN ON WIRE WILL PREVENT INTERFERENCE

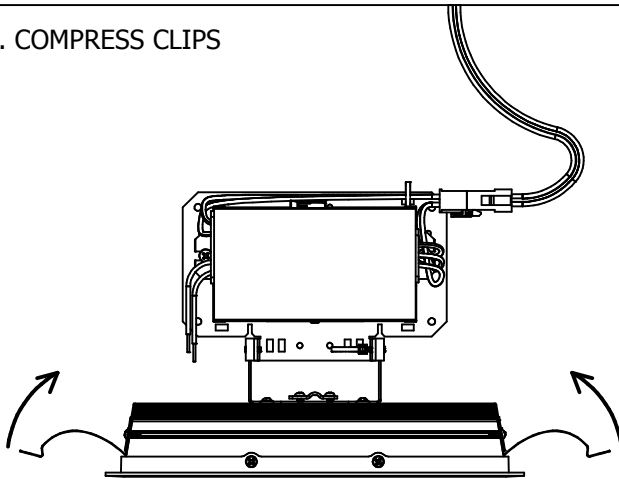


2. PLUG IN WIRE HARNESS

-DO NOT LET TRIM HANG FROM WIRE HARNESS, DAMAMGE MAY OCCUR

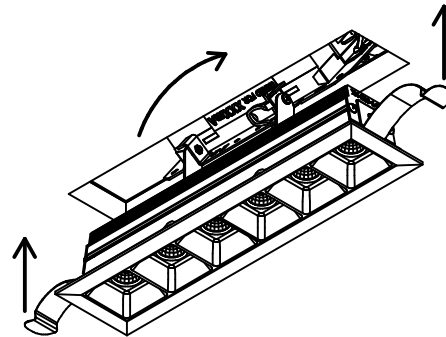


3. COMPRESS CLIPS

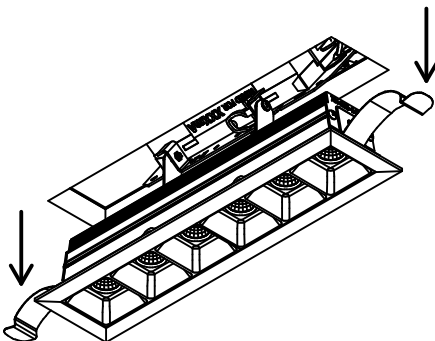


4. INSERT TRIM

A. PUSH BACK ON DRIVER IF NECESSARY
B. PUSH TRIM UP TO COMPLETE ASSEMBLY

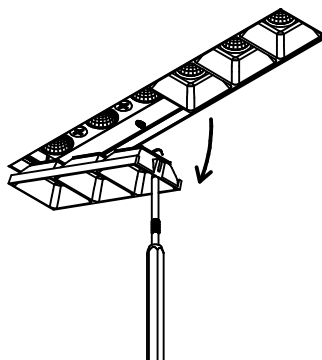


5. TRIM REMOVAL



6. TRIM REMOVAL, TRIMLESS AND MILLWORK

A. USE A PICK TOOL TO REMOVE BAFFLE (TOOL BY OTHERS)



7. REMOVE TRIM

