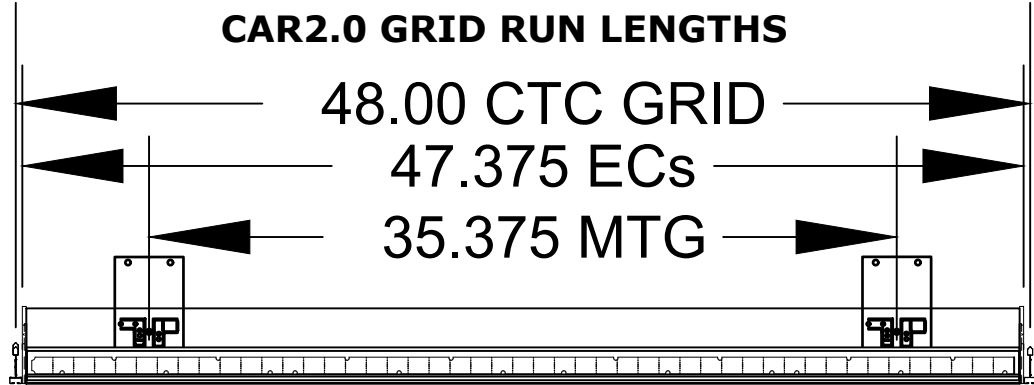


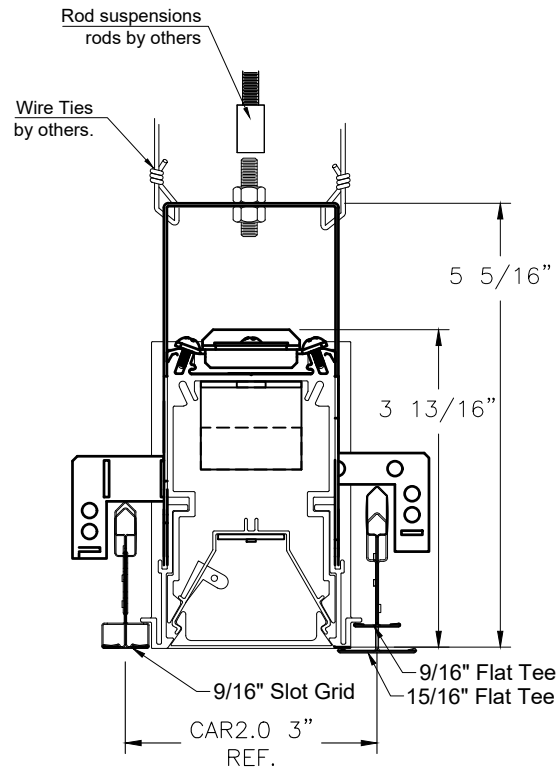
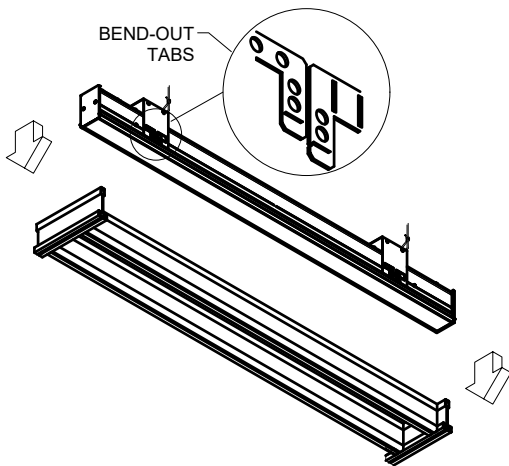
WARNING - RISK OF FIRE AND ELECTRICAL SHOCK. FIXTURE MUST BE INSTALLED BY A QUALIFIED ELECTRICIAN ONLY. FIXTURE IS INTENDED FOR INSTALLATION IN ACCORDANCE WITH THE NATIONAL ELECTRICAL CODE, LOCAL AND FEDERAL SPECIFICATIONS. DISCONNECT POWER AT ELECTRICAL PANEL BEFORE SERVICING.
RETAIN THESE INSTRUCTIONS FOR MAINTENANCE REFERENCE.

CAR2.0 GRID RUN LENGTHS

1" Nominal
 Increments for lengths



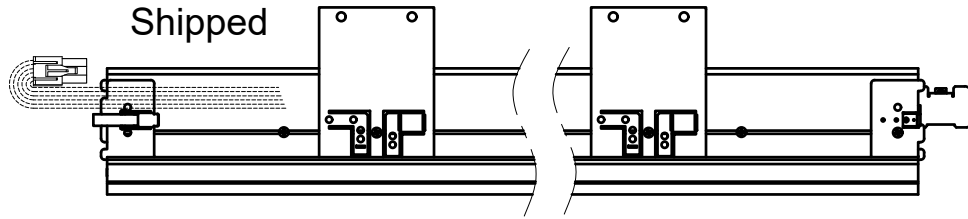
FIXTURES TO BE INSTALLED PER NEC "MEANS OF SUPPORT" AND ALL FEDERAL, NATIONAL AND LOCAL BUILDING CODES.



1. FIXTURE TO BE INSTALLED BEFORE CEILING.
2. E.C. TO SECURE FIXTURE PER NEC CODE, VIA THREADED RODS, WIRE TIES OR OTHER MEANS (HARDWARE SUPPLIED BY E.C.).
4. TURN POWER OFF AT ELECTRICAL PANEL. REMOVE ACCESS PLATE ON TOP OF HOUSING FOR EACH FIXTURE. KNOCK OUT K.O. AS REQUIRED, MAKE ELECTRICAL CONNECTIONS.
5. RE-INSTALL ACCESS PLATE TO HOUSING.
6. FOR CONTINUOUS ROWS INSTALL BOR-BEGINING OF ROW MOR-MIDDLE OF ROW AND EOR-END OF ROW FIXTURE SECTION PER PLAN.
9. TURN ON POWER.

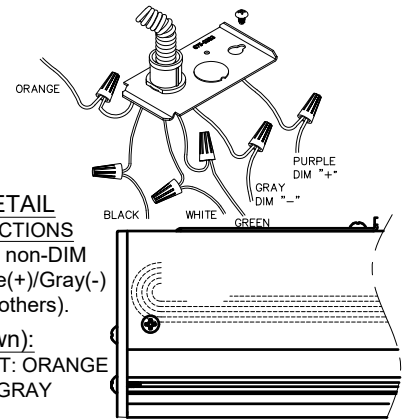
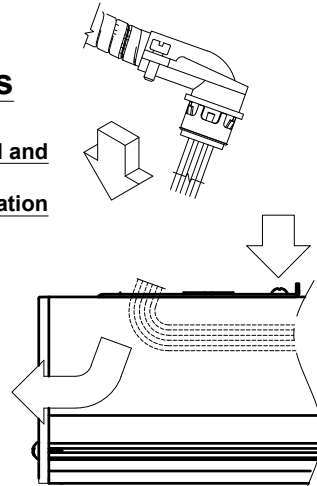
Contractor's responsibility to hold these dimensions before & after installation.

MOR Fixture As Shipped

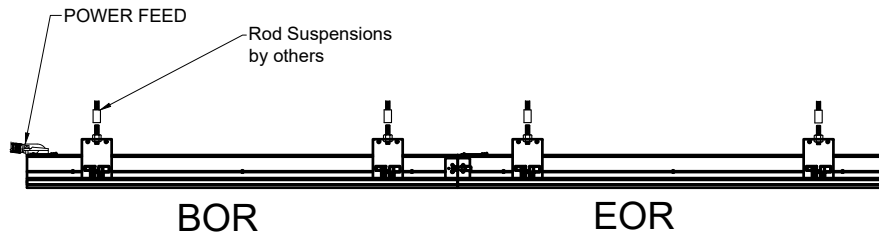


Connect Feed to appropriate Fixtures

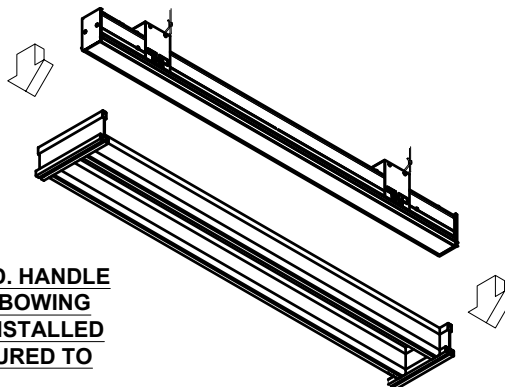
Identify which fixtures require a feed and connect the appropriate kit. For detailed instructions, see installation sheet packed in Feed Kits



ACCESS PLATE DETAIL FEED WIRING CONNECTIONS
 0-10V DIM shown. For non-DIM applications cap Purple(+)/Gray(-) (wire nuts supplied by others).
 Other Wiring (not Shown):
 LUTRON 3-WIRE DIM-HOT: ORANGE
 LUTRON ECO: PURPLE, GRAY
 DALI: PURPLE, GRAY



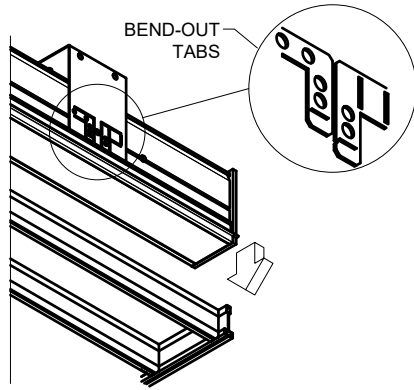
1. INSTALLING FIXTURE



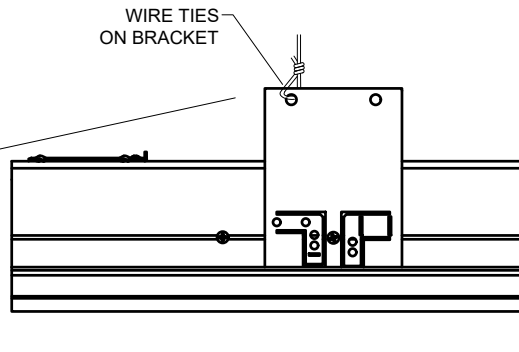
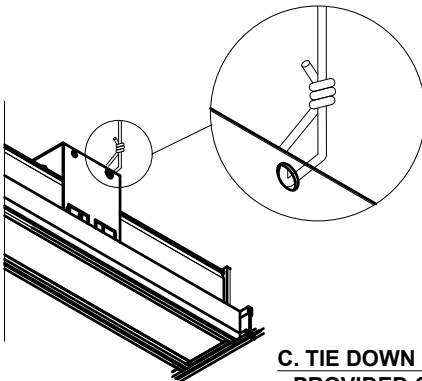
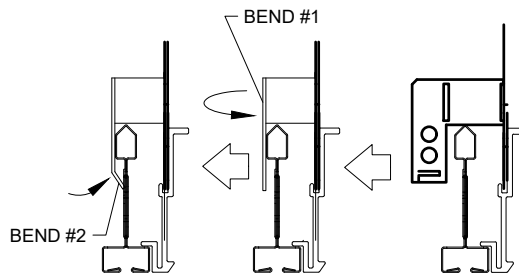
LIFT FIXTURE INTO SECURED GRID. HANDLE FIXTURE CAREFULLY TO AVOID BOWING AND/ OR FIXTURE DISTORTION. INSTALLED FIXTURE TO BE LEVEL AND SECURED TO GRID.

2. SECURING FIXTURE

A. BEND OUT SIDE TABS TO HANG OVER THE GRID.

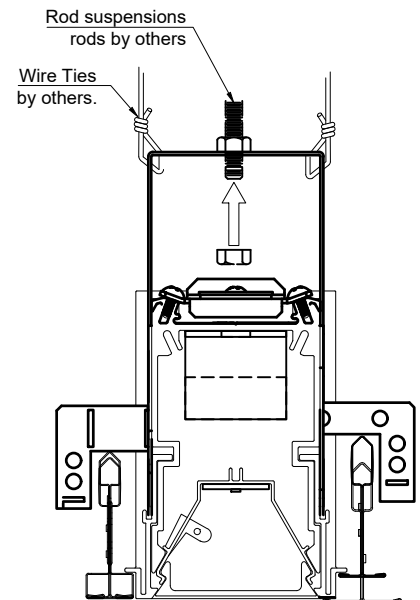
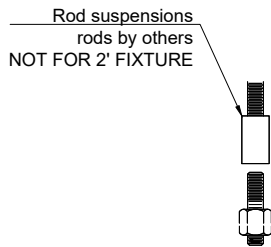


B. ONCE OVER GRID ANCHOR FIXTURE BY BENDING THE TABS ONTO THE GRID TO LOCK IT.

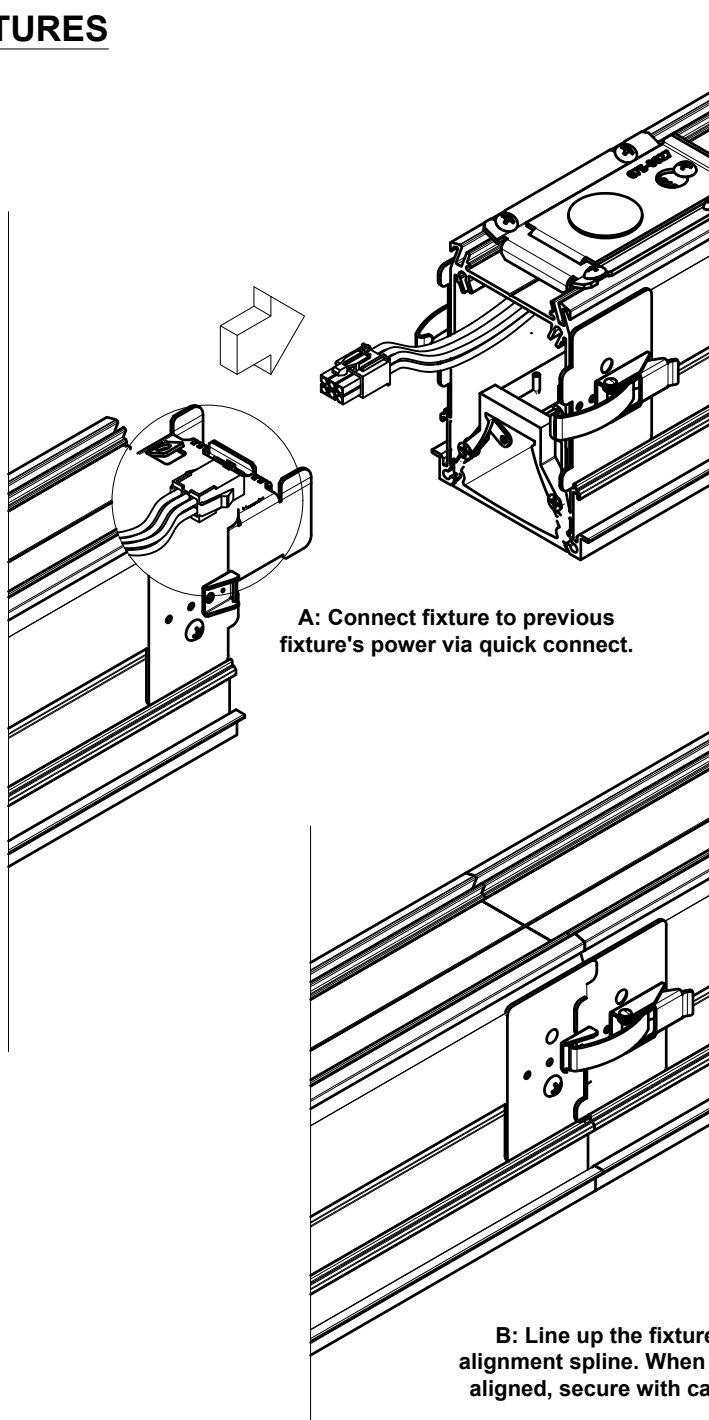


C. TIE DOWN FIXTURE TO DECK WITH HOLES PROVIDED ON TOP SIDED OF FIXTURE OR ON TOP BRACKET.

D. SUSPENSION ROD (BY OTHERS) CAN BE INSTALLED THROUGH KEY SLOT OPENING ON TOP OF FIXTURE. DROP LENS AND REFLECTOR AS SHOWN.



**3. CONNECTING
CONTINUOUS FIXTURES**



A: Connect fixture to previous fixture's power via quick connect.

B: Line up the fixtures using alignment spline. When fixtures are aligned, secure with catch / latch.

Maintenance

- Make sure to turn off all power to fixture before maintenance.
- Prior to ANY work, touch metal on fixture to discharge any build up of static electricity.
- To access internal components, first remove lens.

1.) LED Fixture:

Consult Amerlux for LED maintenance.

2.) LED Replacement:

For LED board replacement, remove screw and slide board out of reflector. Follow instructions on next page.

3.) Driver maintenance:

Drivers are located beneath bottom reflectors, secured by (2) clips

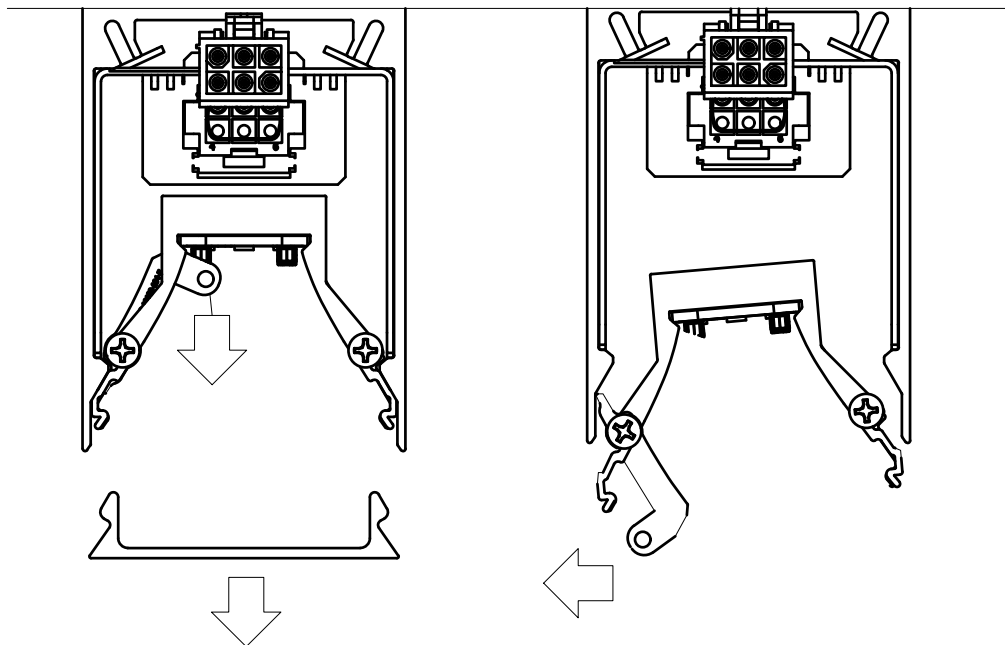
Remove 1 clip and loosen other to remove driver

For driver replacement, please specify:

Manufacturer, Model No, and Current Setting (____mA).

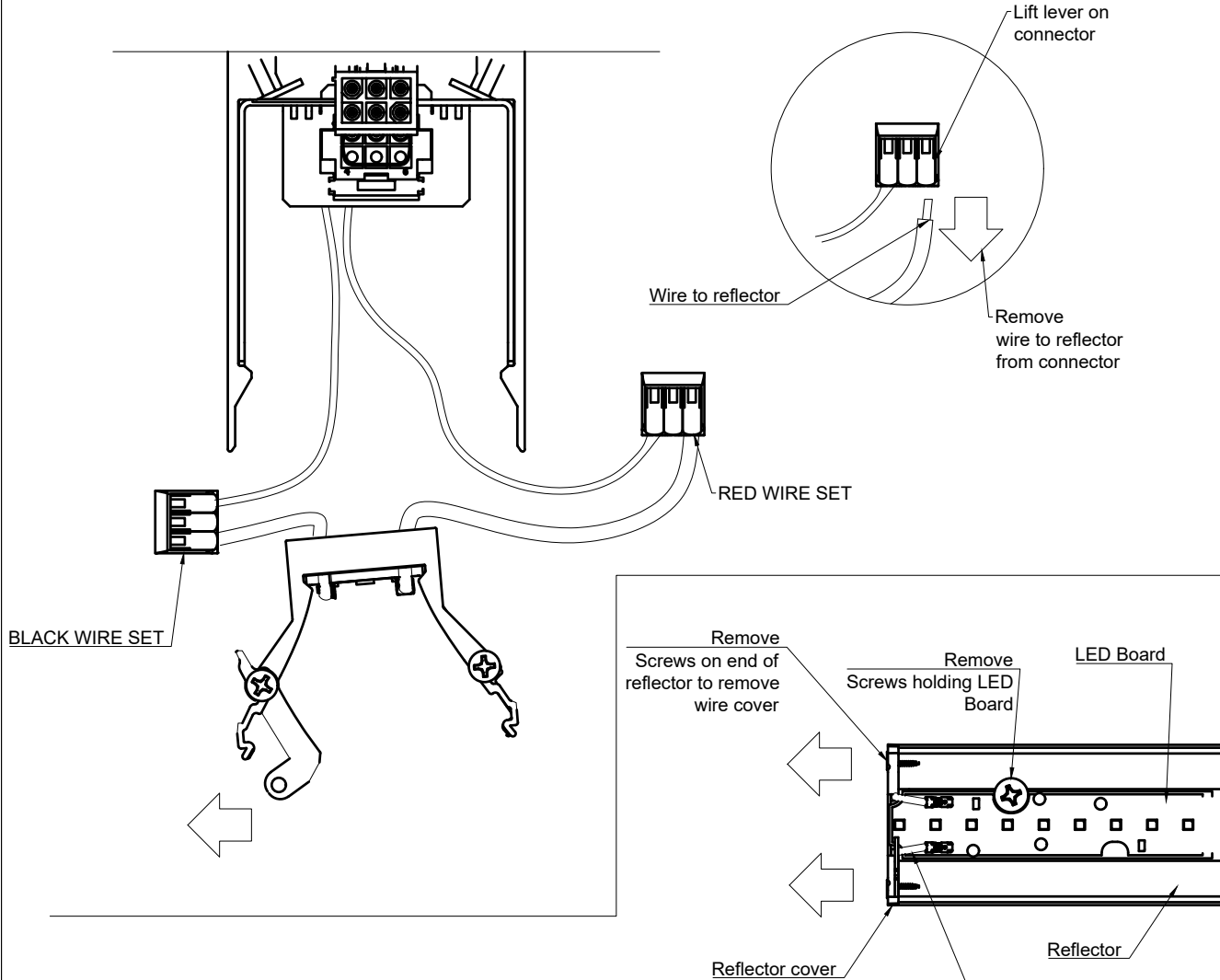
See 710-0134 Wiring Schematic for standard fixtures

See 710-1080 Wiring Schematic for 2-Color tunable white fixtures



Maintenance

Disconnect reflector by removing wires at wago lever connector.



- 1.) Remove screws from Board and end of Reflector holding down reflector end cover.
- 2.) Slide board out and replace with new board. Board information must be provided to manufacturer when placing new order to deliver correct replacement.
- 3.) Follow steps in reverse to reinstall.

