

WARNING - RISK OF FIRE AND ELECTRICAL SHOCK. FIXTURE MUST BE INSTALLED BY A QUALIFIED ELECTRICIAN ONLY. FIXTURE IS INTENDED FOR INSTALLATION IN ACCORDANCE WITH THE NATIONAL ELECTRICAL CODE, LOCAL AND FEDERAL SPECIFICATIONS. DISCONNECT POWER AT ELECTRICAL PANEL BEFORE SERVICING.

FOR RUNS WIRED FOR EM - UNIT HAS MORE THAN ONE POWER SUPPLY CONNECTION POINT. TO REDUCE THE RISK OF ELECTRIC SHOCK, DISCONNECT BOTH THE BRANCH CIRCUIT-BREAKERS OR FUSES AND EMERGENCY/BACKUP POWER SUPPLIES BEFORE SERVICING

RETAIN THESE INSTRUCTIONS FOR MAINTENANCE REFERENCE.

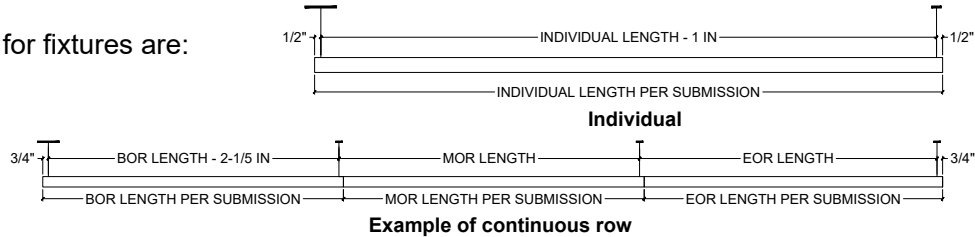
Pre-installation Note:

Supplied by others: - 4" octagonal junction boxes

Supplied by Amerlux: - canopies

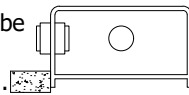
- suspension cable

Suspension points for fixtures are:



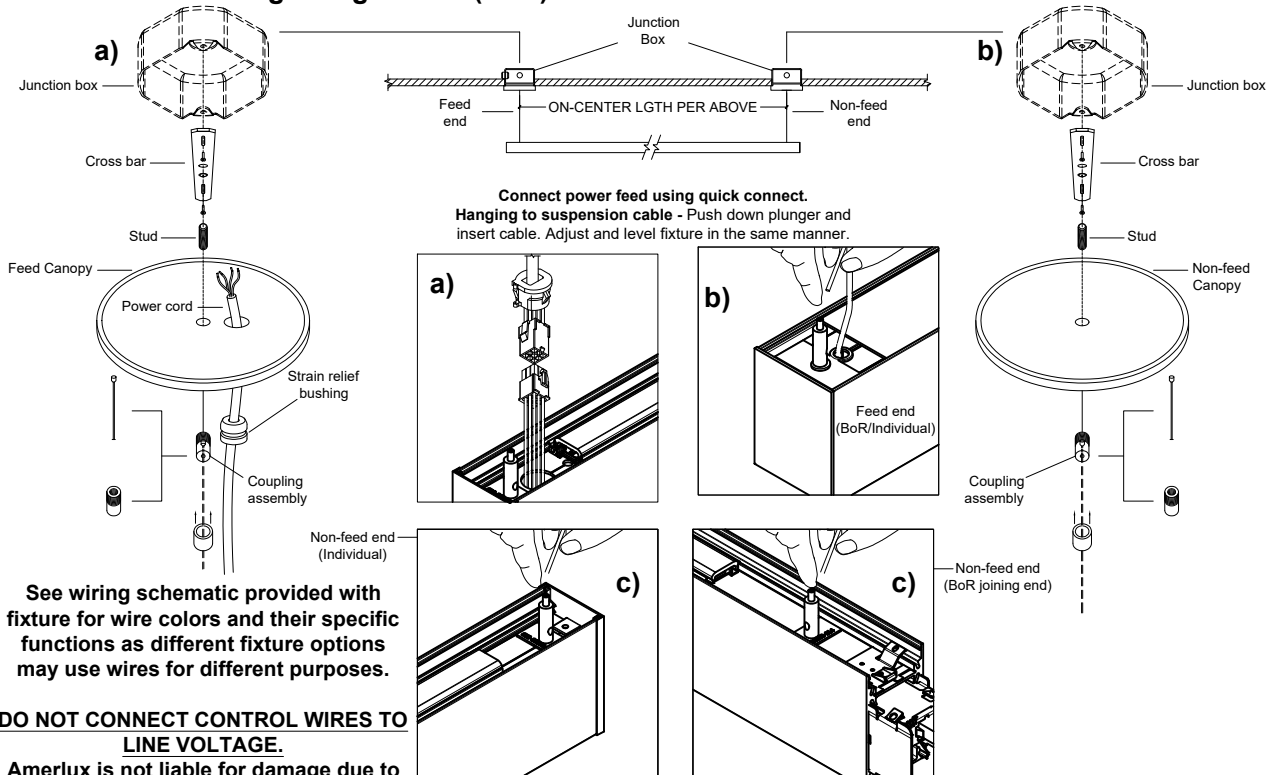
Refer to general contractor/ electrician layout for proper location of mounting points/ locations for junction boxes.

1. Install junction box(es) - The junction box should be regressed as shown to make sure that the canopy cover sits flush with the ceiling when install is finished.



Fixtures sharing regular and EM power in single feed: Junction box must be partitioned per local and national electric codes.

2. Individual and Beginning of Run (BoR) Install:



See wiring schematic provided with fixture for wire colors and their specific functions as different fixture options may use wires for different purposes.

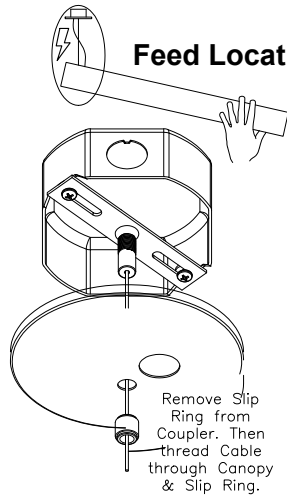
DO NOT CONNECT CONTROL WIRES TO LINE VOLTAGE.

Amerlux is not liable for damage due to miswiring.

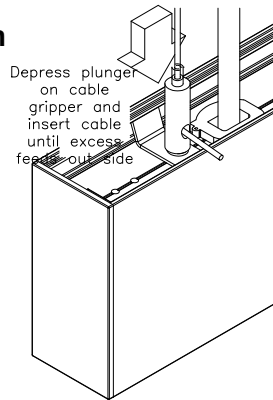
Contact factory with any questions.

CARISMA 2.0 PENDENT D/DI

Hang Fixture (IND or BoR)



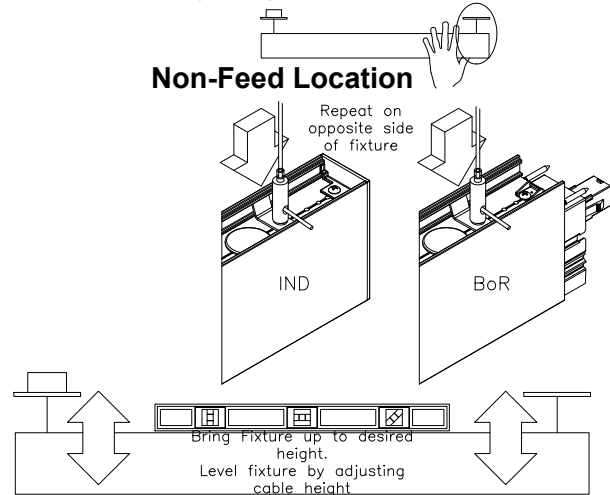
Feed Location



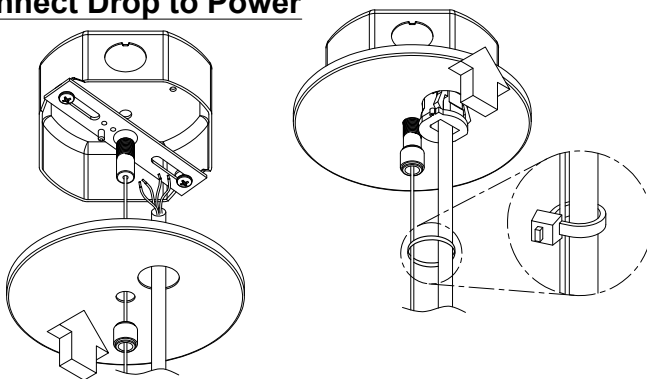
Manufacturers Suggestion:

All continuous runs be hung one at a time, in order, starting with the BoR, then each fixture sequentially, finishing with the EoR

Non-Feed Location



Connect Drop to Power

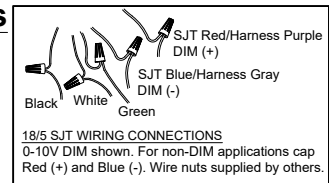


For detailed instructions & wiring diagram, see installation sheet packed in Feed Kits

Direct / Indirect wires

Black - Direct Switched Hot	Black / Stripe - Indirect Switched Hot
White - Direct Neutral	White / Stripe - Indirect Neutral
Gray - Direct Dim (-)	Gray / Stripe - Indirect Dim (-)
Purple - Direct Dim (+)	Purple / Stripe - Indirect Dim (+)
Green - Ground	

Direct wires

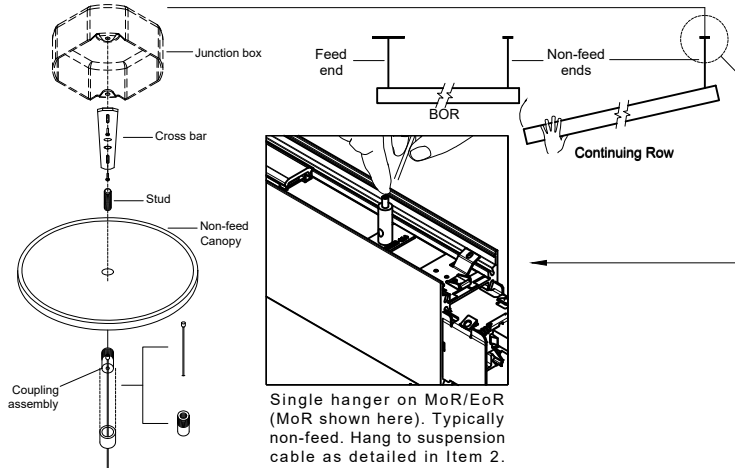


MAKE SURE TO DISCONNECT ALL ELECTRICAL CONNECTIONS BEFORE MAINTENANCE.

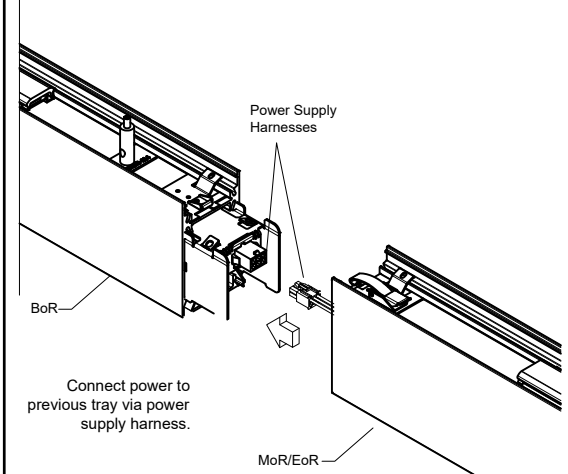
Amerlux, LLC. - 178 Bauer Drive, Oakland NJ 07436 - T: 973-882-5010 - F: 973-882-2605 www.amerlux.com

CARISMA 2.0 PENDENT D/DI

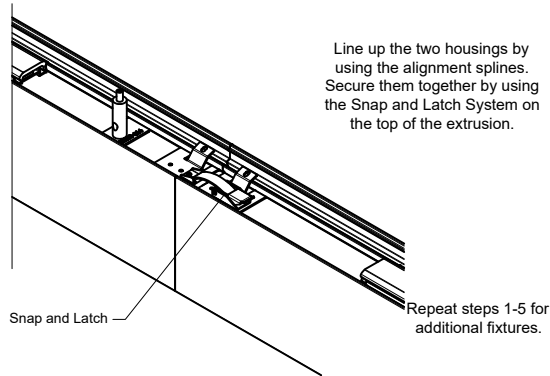
3. Hang MoR/EoR:



4. Connect power:



5. Align, join, and secure fixture joint:



Maintenance

- Make sure to turn off all power to fixture before maintenance.
- Prior to ANY work, touch metal on fixture to discharge any build up of static electricity.
- To access internal components, first remove lens.

1.) LED Fixture:

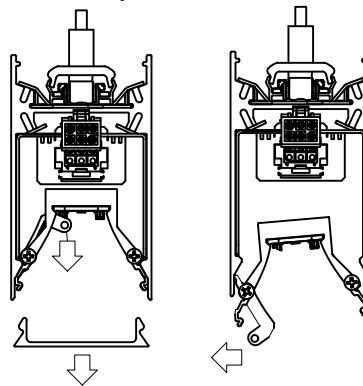
Consult Amerlux for LED maintenance.

2.) LED Replacement:

For LED board replacement, remove screw and slide board out of reflector.

3.) Driver maintenance:

Drivers are located beneath bottom reflectors, secured by (2) clips
 Remove 1 clip and loosen other to remove driver
 For driver replacement, please specify:
 Manufacturer, Model No., and Current Setting (___mA).
 See 710-0134 Wiring Schematic for standard fixtures
 See 710-1080 Wiring Schematic for 2-Color tunable white fixtures

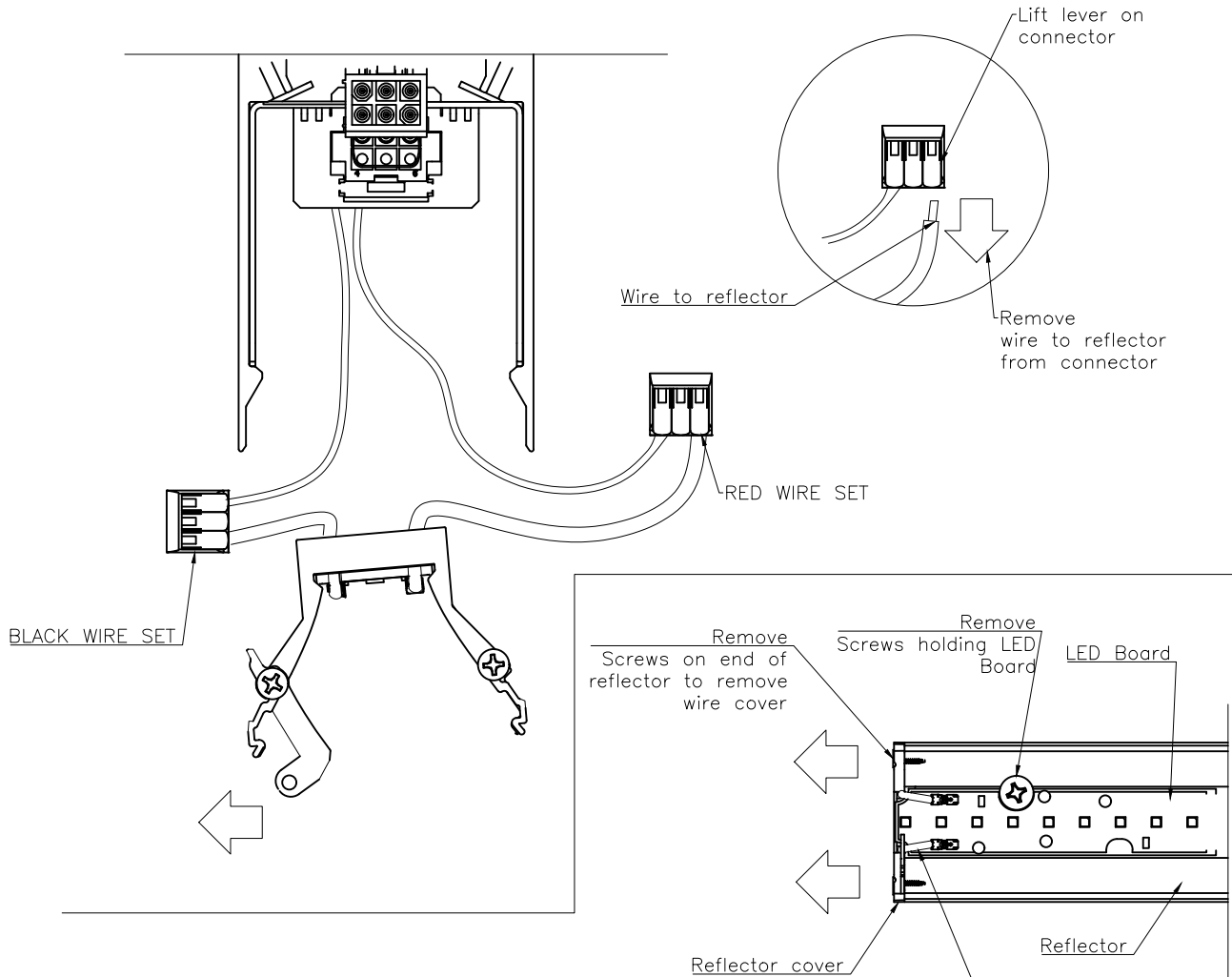


MAKE SURE TO DISCONNECT ALL ELECTRICAL CONNECTIONS BEFORE MAINTENANCE.

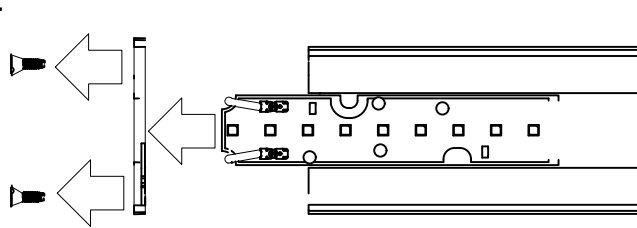
CARISMA 2.0 PENDENT D/DI

Maintenance

Disconnect reflector by removing wires at wago lever connector.



- 1.) Remove screws from Board and end of Reflector holding down reflector end cover.
- 2.) Slide board out and replace with new board. Board information must be provided to manufacturer when placing new order to deliver correct replacement.
- 3.) Follow steps in reverse to reinstall.



MAKE SURE TO DISCONNECT ALL ELECTRICAL CONNECTIONS BEFORE MAINTENANCE.