

Lunetta

18" LED Pedestrian Wall Mount Luminaire



LUN18-WM.x.WHT

Features

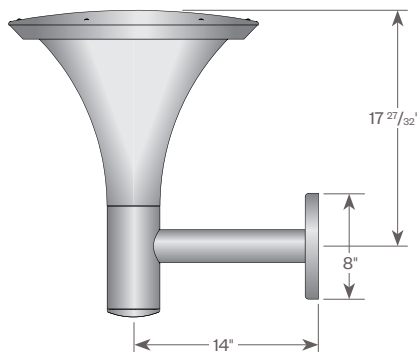
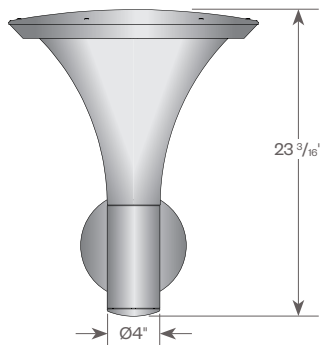
A modern bracket design emanates from the wall and follows the Lunetta™ to flare until gracefully reaching the recessed light source running around the perimeter. The LEDs graze light down the face of the flared luminaire and integrated arm creating a comfortable yet efficient lighting element.

Product Overview

Type:	Exterior Wall Mount
Wattage:	35W
Lumen Output :	2,800 lm
Color Temp:	3000K, 3500K, 4000K
Dimming:	0-10V dimming
Diameter:	18"

PROJECT:

TYPE:



Application:

Lighting for exterior retail and hospitality environments, university and corporate campuses, or any outdoor meeting space.

LED Array:

(60) Mid flux SMD LEDs delivering approximately 2,800 lm at 4000K from a white luminaire. Sealed under polycarbonate optical lens, resistant to UV and thermal shock. It runs at approximately 35W.

LED Driver Module:

- Electronic driver operates at 850 mA with 120V-277V AC input
- 0-10V dimming

Materials:

Arm - Machined and extruded aluminum (5052)
Cover - Spun aluminum (3003)
Luminaire - Spun aluminum (3003)

ETL listed, suitable for wet locations.

Finish:

Premium quality thermoset polyester powdercoat for a durable finish.

ANT - Anthracite Gray

SDS - Stardust Silver

WHT - White

CSTM - Custom, consult factory



Lunetta

18" LED Pedestrian Wall Mount Luminaire



PROJECT:

TYPE:

Ordering Information

LUN18-WM

1

2

3

1

Model

LUN18-WM - Wall Mount

2

Color Temp

30 - 3000K

35 - 3500K

40 - 4000K

3

Finish

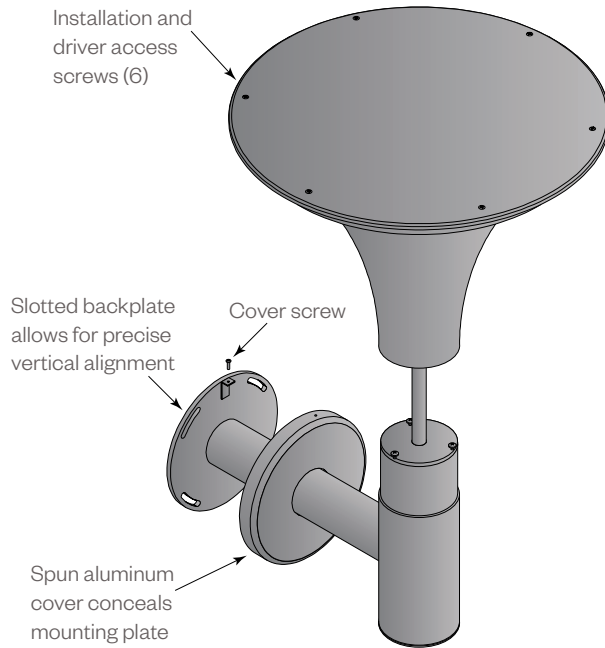
ANT - Anthracite Gray

SDS - Stardust Silver

WHT - White

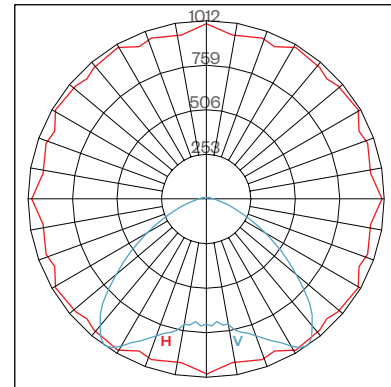
CSTM - Custom, consult factory

Assembly View



Performance - Polar Graph

LUN18-WM.40.WHT



Maximum Candela = 1012
Located at Horizontal Angle = 60
Vertical Angle = 35
H - Horizontal Axial Candela
V - Vertical Axial Candela
B1-U3-G1