

DU770AP Series

Utility HID Luminaire



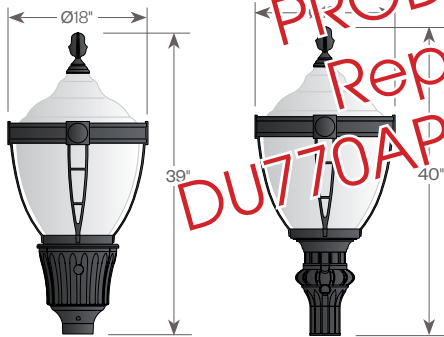
Features

Decorative lighting for residential roadway and commercial properties, where independent fixture control is desired. The DU770AP Series consists of a cast aluminum fitter and cage assembly surrounding a clear or white textured lens and a spun aluminum top. An optional Type III (L3) or Type V (L5) internal glass refractor is also available.

Product Overview

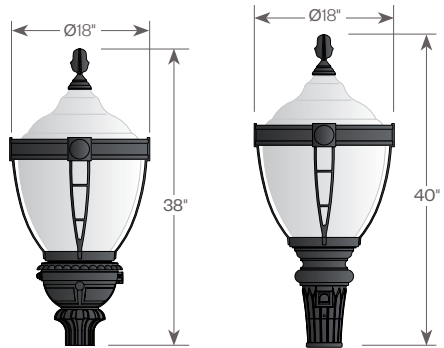
Wattage: 70W, 100W, 150W (MH)
70W, 100W, 150W (HPS)

PROJECT:



DU770AP-F1

DU770AP-F4



DU770AP-F34

DU770AP-F37

PRODUCT DISCONTINUED
Replacement Product:
DU770AP Utility Series LED (AVI-G3)

Installation:

The luminaire will mount to a 3" DP post or tenon. Use 1/2" black oxide coated stainless steel set screws to ensure a solid connection. The diffuser will be held to the fitter by (4) 1/4"-20 black oxide coated stainless steel captive set screws.

Electrical:

- High power factor ballast (HPF), core and coil type, pre-wired and tested
- Easy ballast pod access
- 4KV pulse rated porcelain socket

Diffuser Choices:

- Clear Textured Polycarbonate (PC-CL)
- White Textured Polycarbonate (PC-WH)
- Clear Textured DR Acrylic (DR-CL)

Finish:

Durable thermoset polyester powdercoat finish in the following:

- Satin Black (BLK)
- Classic Bronze (CLB)
- Gloss Textured Bronze (GBZ)
- Green (GRN)
- Gloss Textured Black (GTB)
- Textured Black (TBK)
- Gloss Textured Green (TGR)

Accessories:

- Cast aluminum finial (CFIN)
- 90 Degree house-side shield (HSS-90)
- 180 Degree house-side shield (HSS-180)
- Twistlock Photocell (TW-PCL)

ETL listed, suitable for wet locations.

Note: All fitters include a 3-pin twist lock receptacle and an access door with window for the photocell. The photocell device is optional.



Standard



with FDR (CL only)

DU770AP Series

Utility HID Luminaire



PROJECT:

TYPE:

Ordering Information



* Leave blank if not selected

Add additional accessories as needed

- 1** Model
DU770AP-F1
DU770AP-F4
DU770AP-F34
DU770AP-F37

- 2** Diffuser Material-Color
PC-CL - Clear Textured Polycarbonate
PC-WH - White Textured Polycarbonate
DR-CL - Clear Textured DR Acrylic

- 3** Optical Option (not required)
L3 - Type 3 Refractor
L5 - Type 5 Refractor
FDR - Faceted Downlight Reflector

- 4** Light Source
70MH - 70W Metal Halide
100MH - 100W Metal Halide
150MH - 150W Metal Halide
70HPS - 70W High Pressure Sodium
100HPS - 100W High Pressure Sodium
150HPS - 150W High Pressure Sodium
MDO - Medium Socket Only
MGO - Mogul Socket Only

- 5** Voltage
120V
208V
240V
277V

- 6** Finish
BLK - Satin Black
CLB - Classic Bronze
GBZ - Gloss Textured Bronze
GRN - Green
GTB - Gloss Textured Black
TBK - Textured Black
TGR - Gloss Textured Green
CSTM - Custom

- 7** Accessories
CFIN - Cast Aluminum Finial
HSS-90 - 90° House Side Shield
HSS-180 - 180° House Side Shield
TW-PCL - Twistlock Photocell

DU770AP Series

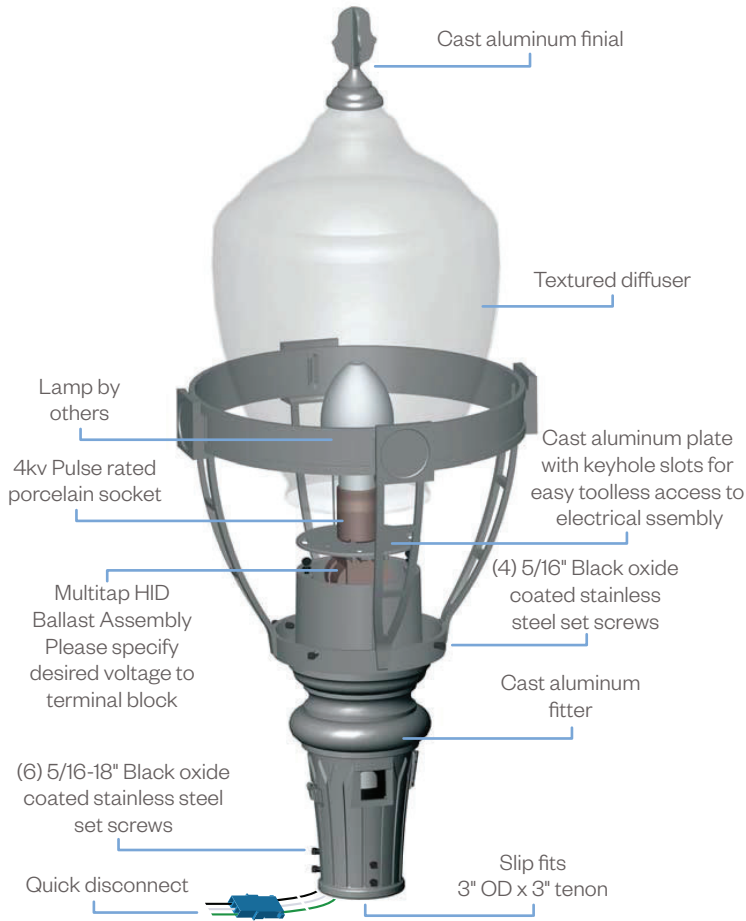
Utility HID Luminaire



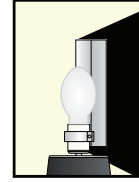
PROJECT:

TYPE:

Assembly Details (Example: DU770AP-F37)



Options



HSS90 & HSS180
House Side Shield
for use with
Optical Systems

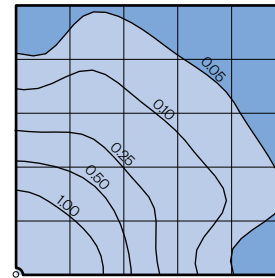


FDR
Faceted
Downlight
Reflector



L3 or L5
Type III or
Type V
Glass Refractor

Photometry



Typical HID light source
150MH Lamp
14,000 Lumens
12' Mounting Height
Grid Spacing is 12'

Socket Types

Wattage	Socket Type
70MH, 100MH, 150MH	Medium
70HPS, 100HPS	Medium
150HPS	Mogul