

# Passo SQ

## 6" Prismatic Glass LED Recessed Wall Luminaire



PSCP6

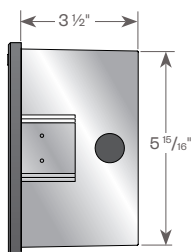
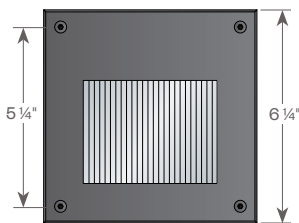
### Features

The Passo family of luminaires includes high quality, architecturally relevant fixtures suitable for use in both outdoor or indoor applications. All members of the Passo family feature an independently sealed optical chamber and fully potted driver. These features are especially beneficial in exterior applications as they help compensate for the challenges in getting a good seal between a pre-installed back box and the faceplate as well as those challenges in fully sealing the conduit system. Each luminaire is available in a choice of three output levels to help tailor the desired illuminance to the project and a standard 0-10V dimmable driver allows even further flexibility.

### Product Overview

Type:	Recessed Wall Luminaire
Wattage:	up to 16.2W
Lumen Output :	up to 356 lm
Color Temp:	2700K, 3000K, 4000K
Dimming:	0-10V down to 10%

### PROJECT:



### TYPE:

#### Application:

Designed for new construction in interior or exterior hollow walls or poured concrete.

#### Construction:

- Die-cast aluminum housing with protective powdercoat finish
- Sealed die-cast aluminum internal optical chamber
- Die-cast aluminum faceplate
- 1/8" tempered prismatic glass lens

#### Driver:

- Drive Current (175, 350 or 700mA)
- 2.5kv surge protection
- Fully potted
- Input voltage 120V-277V auto-sensing
- 0-10V dimmable down to 10%

**ETL listed, suitable for wet locations.**

#### Optics:

Individually sealed optical chamber insures LEDs are secure independent of the installation of the back box.

#### Finish:

Premium quality thermoset polyester powdercoat faceplate for a durable finish.



# Passo SQ

6" Prismatic Glass LED Recessed Wall Luminaire



## PROJECT:

## TYPE:

### Luminaire Ordering Information

PSCP6

1

2

3

1

Model  
PSCP6

3

Finish  
ANT - Anthracite Gray  
BLK - Satin Black  
CLB - Classic Bronze  
SLV - Silver  
WHT - White  
CSTM - Custom

2

Performance Code  
L27 - 2700K / 175mA  
L30 - 3000K / 175mA  
L40 - 4000K / 175mA  
H27 - 2700K / 350mA  
H30 - 3000K / 350mA  
H40 - 4000K / 350mA  
VH27 - 2700K / 700mA  
VH30 - 3000K / 700mA  
VH40 - 4000K / 700mA

### Back Box Ordering Information (Back Box must be ordered for a complete unit, ordered separately)

SQBX-6

1

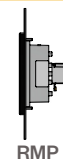
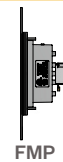
1

Model  
SQBX-6

Note: Back Box can be shipped ahead of the steplight, upon request.

### Optional Adaptor Plate Ordering Information (see pg 4 for details)

For retrofit applications using an existing wall box or cavity.



1

2

3

4

1

Model  
FMP-PSCP6 - front mount adaptor plate  
RMP-PSCx6 - rear mount adaptor plate

3

Mounting Hole Location  
CRN - corner (1 in each corner)

2

Plate Size  
----- x -----  
(W) (H)

W: 8" min - 14" max  
H: 8" min - 14" max

4

Finish  
ANT - Anthracite Gray  
BLK - Satin Black  
CLB - Classic Bronze  
SLV - Silver  
WHT - White  
CSTM - Custom

Note: A signed approval drawing showing the requested dimensions will be required to process an order.

Note: Back box is NOT used with this optional plate.

# Passo SQ

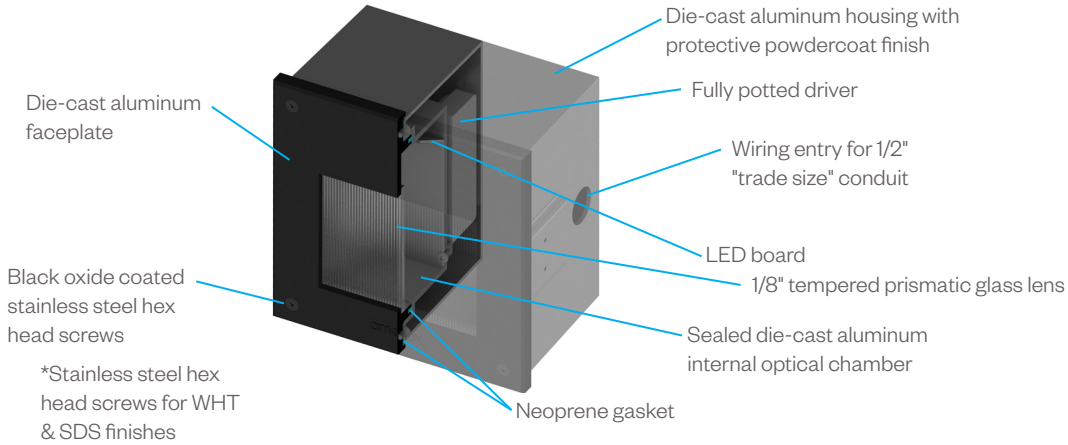
6" Prismatic Glass LED Recessed Wall Luminaire



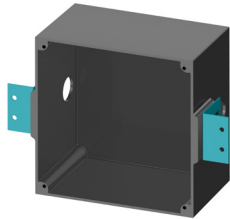
## PROJECT:

## TYPE:

### Construction Detail



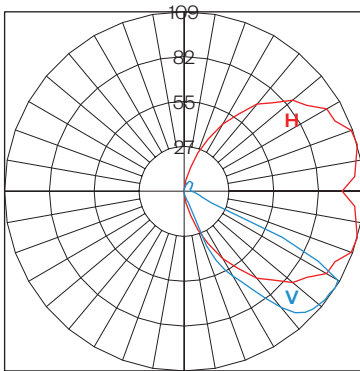
### Application Brackets (included with order)



Horizontal Brackets (Hollow Wall)

### Performance Detail

PSCP6 Polar Graph



Performance Code	CCT/CRI	Approx. Lumens	Drive Current	Nominal Input Power
L27	2700K/80	128	175mA	4.2W
L30	3000K/80	134		
L40	4000K/70	144		
H27	2700K/80	179	350mA	8.1W
H30	3000K/80	188		
H40	4000K/70	201		
VH27	2700K/80	317	700mA	16.2W
VH30	3000K/80	333		
VH40	4000K/70	356		

**Note: IES files available on our website. For VHxx data - use Hxx ies files with a 1.77 multiplier.**

# Passo SQ

6" Prismatic Glass LED Recessed Wall Luminaire

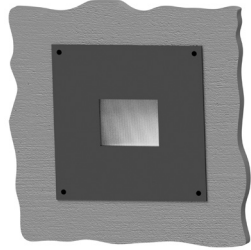


## PROJECT:

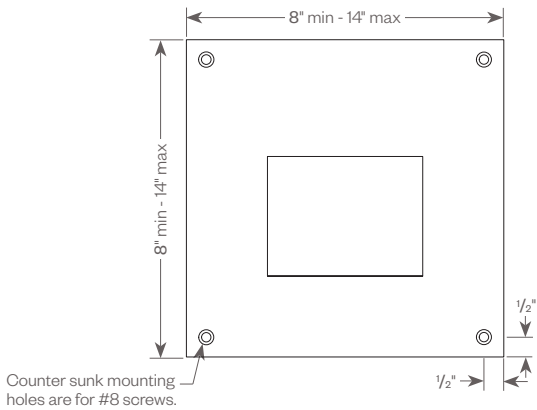
## TYPE:

### Adaptor Plate Detail

For retrofit applications using an existing wall box or cavity.

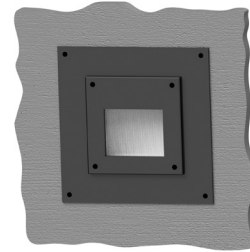
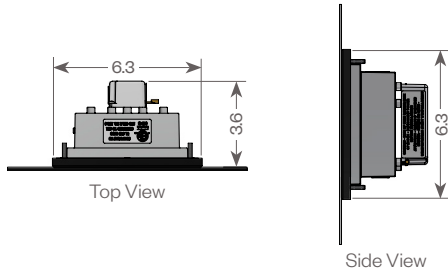


Front Mount Plate (**FMP-PSCP6**)

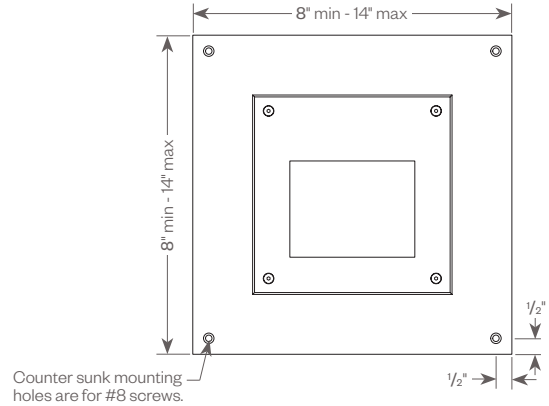


Standard dimensions from the corner are shown. If alternate dimensions are needed, please specify.

Space required to mount fixture.



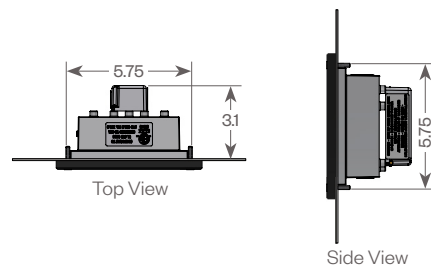
Rear Mount Plate (**RMP-PSCx6**)



Standard dimensions from the corner are shown. If alternate dimensions are needed, please specify.

**EDR Required for dimensions beyond the range shown.**

Space required to mount fixture.



Note: A signed drawing will be required to process an order.

- 1** Model  
**FMP-PSCP6** - front mount adaptor plate  
**RMP-PSCx6** - rear mount adaptor plate

- 2** Plate Size  
 \_\_\_\_\_ x \_\_\_\_\_  
 (W) (H)

W: 8" min - 14" max  
 H: 8" min - 14" max

- 3** Mounting Hole Location  
**CRN** - corner (1 in each corner)

- 4** Finish  
**ANT** - Anthracite Gray  
**BLK** - Satin Black  
**CLB** - Classic Bronze  
**SLV** - Silver  
**WHT** - White  
**CSTM** - Custom