

Passo CR

4" Stainless Steel

Soft Glow LED

Recessed Wall Luminaire



PCSS4

PCSG4

Features

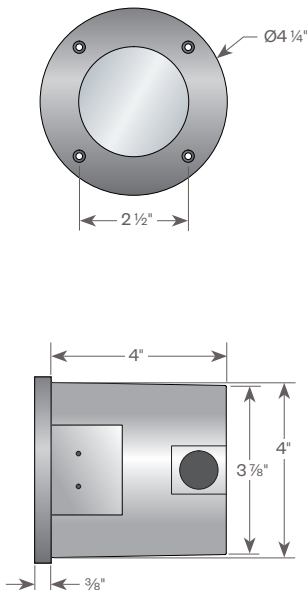
The Passo family of luminaires includes high quality, architecturally relevant fixtures suitable for use in both outdoor or indoor applications. All members of the Passo family feature an independently sealed optical chamber and fully potted driver. These features are especially beneficial in exterior applications as they help compensate for the challenges in getting a good seal between a pre-installed back box and the faceplate as well as those challenges in fully sealing the conduit system. Each luminaire is available in a choice of three output levels to help tailor the desired illuminance to the project and a standard 0-10V dimmable driver allows even further flexibility.

Product Overview

Type:	Recessed Wall Luminaire
Wattage:	up to 5.4W
Lumen Output :	up to 143 lm
Color Temp:	2700K, 3000K, 4000K
Dimming:	0-10V down to 10%

PROJECT:

TYPE:



Application:

Designed for new construction in interior or exterior hollow walls or poured concrete.

Construction:

- Die-cast aluminum housing with protective powdercoat finish
- Sealed die-cast aluminum internal optical chamber
- Stainless steel faceplate (316L)
- 1/8" tempered glass lens with opal coating

Driver:

- Drive Current (100, 175 or 350mA)
- 2.5kv surge protection
- Fully potted
- Input voltage 120V-277V auto-sensing
- 0-10V dimmable down to 10%

ETL listed, suitable for wet locations.

Optics:

Individually sealed optical chamber insures LEDs are secure independent of the installation of the back box.



Passo CR

4" Stainless Steel Soft Glow LED Recessed Wall Luminaire



PROJECT:

TYPE:

Luminaire Ordering Information

1

2

1

Model

PCSS4

PCSG4 (with crossguard, see below)

2

Performance Code

L27 - 2700K / 100mA

L30 - 3000K / 100mA

L40 - 4000K / 100mA

H27 - 2700K / 175mA

H30 - 3000K / 175mA

H40 - 4000K / 175mA

VH27 - 2700K / 350mA

VH30 - 3000K / 350mA

VH40 - 4000K / 350mA

Back Box Ordering Information (Back Box must be ordered for a complete unit, ordered separately)

CRBX-4

1

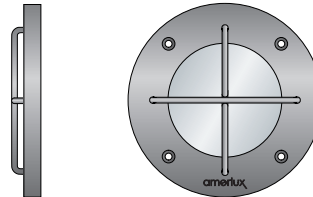
1

Model

CRBX-4

Note: Back Box can be shipped ahead of the steplight, upon request.

Crossguard Faceplate Option (PCSG4)



An optional crossguard faceplate is available.
This faceplate must be specified at the time of order.

Passo CR

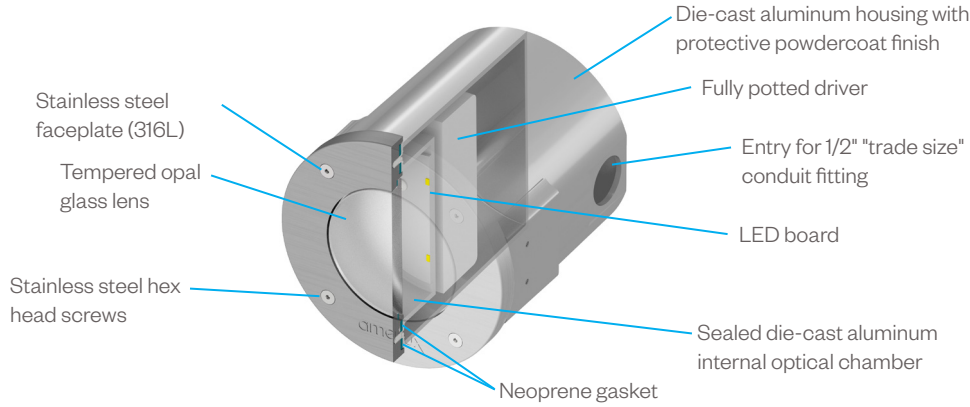
4" Stainless Steel Soft Glow LED Recessed Wall Luminaire



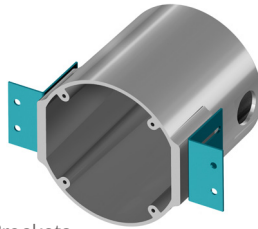
PROJECT:

TYPE:

Construction Detail



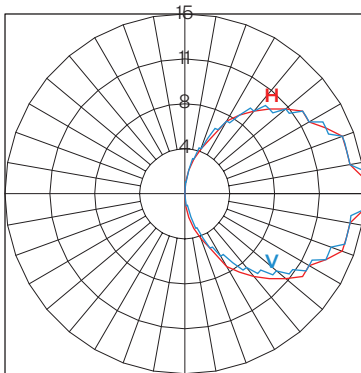
Application Brackets (included with order)



Horizontal Brackets
(Hollow Wall)

Performance Detail

PCCS4 Polar Graph



Performance Code	CCT/CRI	Approx. Lumens	Drive Current	Nominal Input Power
L27	2700K/80	40	100mA	1.5W
L30	3000K/80	42		
L40	4000K/70	46		
H27	2700K/80	70	175mA	2.7W
H30	3000K/80	74		
H40	4000K/70	81		
VH27	2700K/80	124	350mA	5.4W
VH30	3000K/80	131		
VH40	4000K/70	143		

Note: IES files available on our website. For VHxx data - use Hxx ies files with a 1.77 multiplier.