

Passo RT

8" Soft Glow LED Steplight



Surface Mount



Flush Mount



Features

The Passo family of luminaires includes high quality, architecturally relevant fixtures suitable for use in both outdoor or indoor applications. All members of the Passo family feature an independently sealed optical chamber and fully potted driver. These features are especially beneficial in exterior applications as they help compensate for the challenges in getting a good seal between a pre-installed back box and the faceplate, as well as those challenges in fully sealing the conduit system. Each luminaire is available in a choice of three output levels to help tailor the desired illuminance to the project and a standard 0-10V dimmable driver allows even further flexibility. A new option for flush mount faceplate has been added.

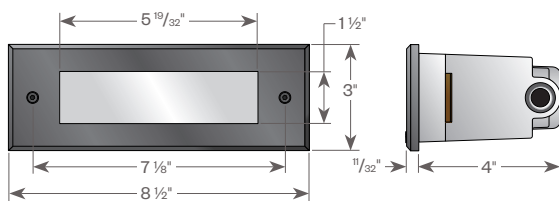
Product Overview

Type:	Stair & Pathway Lighting
Wattage:	up to 6W
Lumen Output :	up to 207 lm
Color Temp:	2700K, 3000K, 4000K
Dimming:	0-10V down to 10%

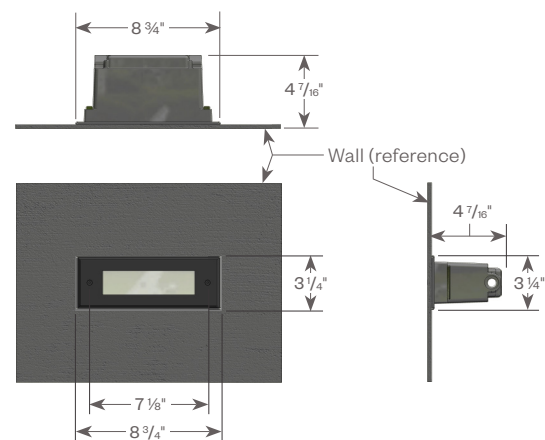
PROJECT:

TYPE:

Surface Mount



Flush Mount



Application:

Designed for new construction in brick, poured concrete, and hollow walls.

Construction:

- Electrical grade PVC housing
- Internal optical chamber
- Cast aluminum faceplate
- 1/8" tempered opal glass lens

Driver:

- Drive Current (100, 175 or 350mA)
- 2.5kv surge protection
- Fully potted
- Input voltage 120V-277V auto-sensing
- 0-10V dimmable down to 10%

ETL listed, suitable for wet locations.

Optics:

Individually sealed optical chamber with neoprene gasket insures LEDs are secure independent of the installation of the back box.

Finish:

Premium quality thermoset polyester powdercoat faceplate for a durable finish.



Passo RT

8" Soft Glow LED Steplight



PROJECT:

TYPE:

Luminaire Ordering Information

PRCS8



1 **2** **3**

<p>1 <u>Model</u> PRCS8</p> <p>2 <u>Performance Code</u> L27 - 2700K / 100mA L30 - 3000K / 100mA L40 - 4000K / 100mA H27 - 2700K / 175mA H30 - 3000K / 175mA H40 - 4000K / 175mA VH27 - 2700K / 350mA VH30 - 3000K / 350mA VH40 - 4000K / 350mA</p>	<p>3 <u>Finish</u> ANT - Anthracite Gray BLK - Satin Black CLB - Classic Bronze SLV - Silver WHT - White CSTM - Custom</p>
---	---

Back Box¹ Ordering Information - Back Box must be ordered for a complete unit, ordered separately. Choose original surface mount box or new flush mount trim kit (recessed).

RTBX-8

1

<p>1 <u>Model</u> RTBX-8 (surface mount) RTBX-8-FTK² (flush mount trim)</p>	 Surface Mount	 Flush Mount
---	--	---

- Notes:**
- Back Box can be shipped ahead of the steplight, upon request.
 - Flush Mount Trim - Stainless steel trim for use with poured concrete and other surfaces to allow the front of the faceplate to sit flush with the finished surface. The trim forms a clean edge to define the boundary between the fixture and the wall material. Once installed, it can be painted to match the finished surface or left as unfinished stainless steel.

Optional Adaptor Plate Ordering Information (see pg 4 for details)

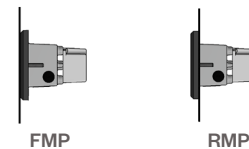
For retrofit applications using an existing wall box or cavity.

_____ x _____

1 **2** **3** **4**

<p>1 <u>Model</u> FMP-PRCS8 - front mount adaptor plate RMP-PRC8 - rear mount adaptor plate</p> <p>2 <u>Plate Size</u> _____ x _____ (W) (H)</p> <div style="border: 1px solid black; padding: 5px; width: fit-content; margin-left: auto; margin-right: auto;"> W: 9.5" min - 14" max H: 4.5" min - 10" max </div>	<p>3 <u>Mounting Hole Location</u> CRN - corner (1 in each corner) CNT - center (2 on vertical center)</p> <p>4 <u>Finish</u> ANT - Anthracite Gray BLK - Satin Black CLB - Classic Bronze SLV - Silver WHT - White CSTM - Custom</p>
---	---

Note: A signed approval drawing showing the requested dimensions will be required to process an order.



Note: Back box is NOT used with this optional plate.

Passo RT

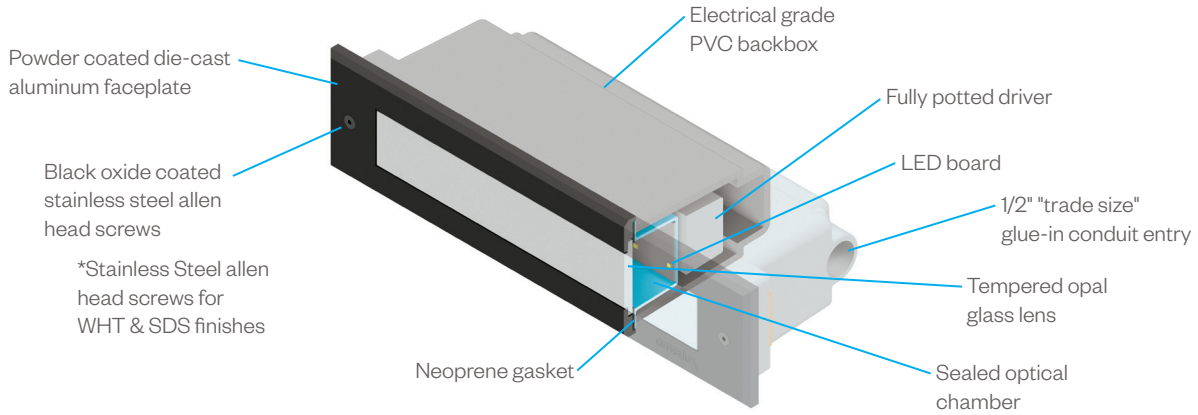
8" Soft Glow LED Steplight



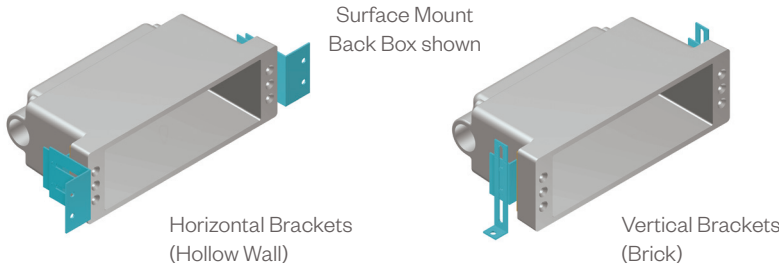
PROJECT:

TYPE:

Construction Detail

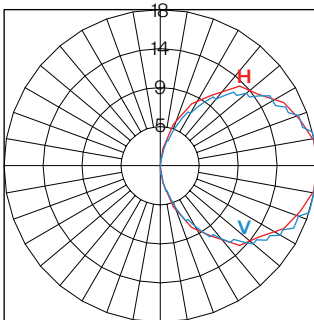


Application Brackets (included with order)



Performance Detail

PRCS8.L40 Polar Graph



Performance Code	CCT/CRI	Approx. Lumens	Drive Current	Nominal Input Power
L27	2700K/80	50	100mA	2W
L30	3000K/80	54		
L40	4000K/70	53		
H27	2700K/80	105	175mA	3W
H30	3000K/80	110		
H40	4000K/70	117		
VH27	2700K/80	186	350mA	6W
VH30	3000K/80	195		
VH40	4000K/70	207		

Note: IES files available on our website. For VHxx data - use Hxx ies files with a 1.77 multiplier.

Passo RT

8" Soft Glow LED Steplight

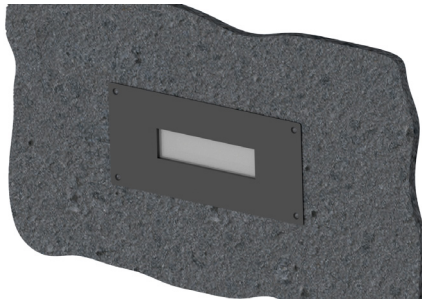


PROJECT:

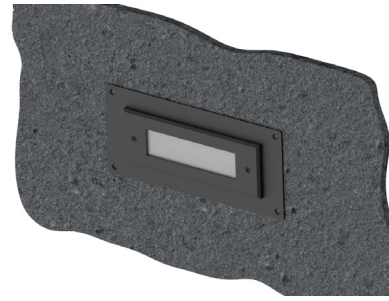
TYPE:

Adaptor Plate Detail

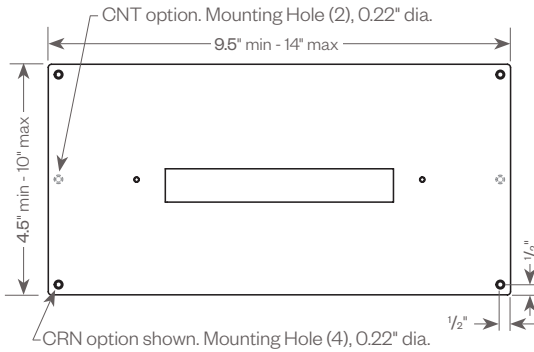
For retrofit applications using an existing wall box or cavity.



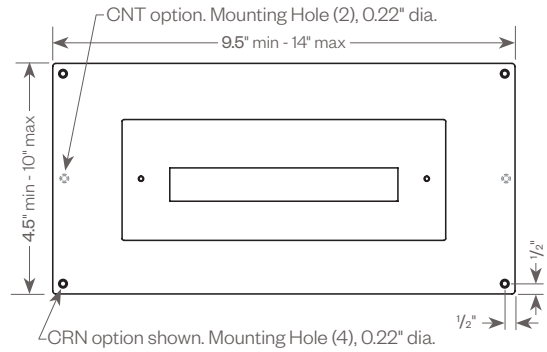
Front Mount Plate (FMP-PRCS8)



Rear Mount Plate (RMP-PRC8)



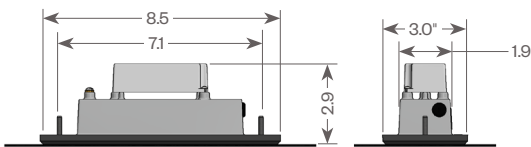
Standard dimensions from the corner are shown.
If alternate dimensions are needed, please specify.



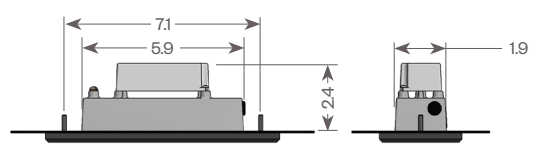
Standard dimensions from the corner are shown.
If alternate dimensions are needed, please specify.

EDR Required for dimensions beyond the range shown.

Space required to mount fixture.



Space required to mount fixture.



Note: A signed drawing will be required to process an order.

- 1** Model
FMP-PRCS8 - front mount adaptor plate
RMP-PRC8 - rear mount adaptor plate

- 3** Mounting Hole Location
CRN - corner (1 in each corner)
CNT - center (2 on vertical center)

- 2** Plate Size
----- x -----
(W) (H)

W: 9.5" min - 14" max
H: 4.5" min - 10" max

- 4** Finish
ANT - Anthracite Gray
BLK - Satin Black
CLB - Classic Bronze
SLV - Silver
WHT - White
CSTM - Custom