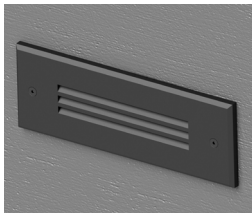


Passo RT

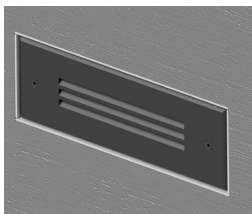
8" Louvered LED Steplight



Surface Mount



Flush Mount



Features

The Passo family of luminaires includes high quality, architecturally relevant fixtures suitable for use in both outdoor or indoor applications. All members of the Passo family feature an independently sealed optical chamber and fully potted driver. These features are especially beneficial in exterior applications as they help compensate for the challenges in getting a good seal between a pre-installed back box and the faceplate, as well as those challenges in fully sealing the conduit system. Each luminaire is available in a choice of three output levels to help tailor the desired illuminance to the project and a standard 0-10V dimmable driver allows even further flexibility. A new option for flush mount faceplate has been added.

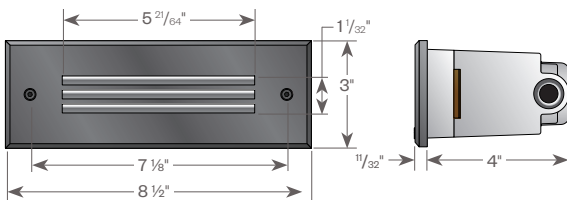
Product Overview

Type:	Stair & Pathway Lighting
Wattage:	up to 6W
Lumen Output :	up to 74 lm
Color Temp:	2700K, 3000K, 4000K, Amber
Dimming:	0-10V down to 10%

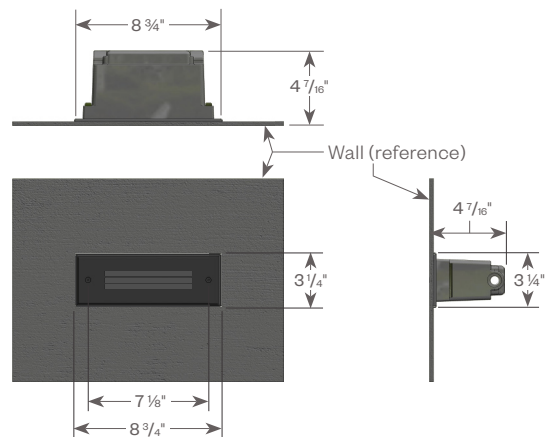
PROJECT:

TYPE:

Surface Mount



Flush Mount



Application:

Designed for new construction in brick, poured concrete, and hollow walls.

Construction:

- Electrical grade PVC housing
- Internal optical chamber
- Cast aluminum faceplate
- 1/8" tempered frosted glass lens

Driver:

- Drive Current (100, 175 or 350mA)
- 2.5kv surge protection
- Fully potted
- Input voltage 120V-277V auto-sensing
- 0-10V dimmable down to 10%

ETL listed, suitable for wet locations.

Optics:

Individually sealed optical chamber with neoprene gasket insures LEDs are secure independent of the installation of the back box.

Finish:

Premium quality thermoset polyester powdercoat faceplate for a durable finish. Wildlife Lighting finishes available (for use with Amber option only).



Passo RT

8" Louvered LED Steplight



PROJECT:

TYPE:

Luminaire Ordering Information

PRCL8 . _____ . _____

1 **2** **3**

- 1** Model
PRCL8
- 2** Performance Code
L27 - 2700K / 100mA
L30 - 3000K / 100mA
L40 - 4000K / 100mA
H27 - 2700K / 175mA
H30 - 3000K / 175mA
H40 - 4000K / 175mA
VH27 - 2700K / 350mA
VH30 - 3000K / 350mA
VH40 - 4000K / 350mA
AL - Amber, Low
AH - Amber, High

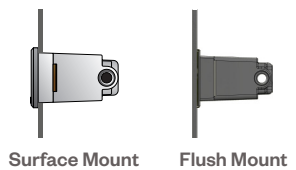
- 3** Finish
ANT* - Anthracite Gray
BLK* - Satin Black
CLB* - Classic Bronze
SLV - Silver
WHT - White
CSTM - Custom



Back Box¹ Ordering Information - Back Box must be ordered for a complete unit, ordered separately. Choose original surface mount box or new flush mount trim kit (recessed).

RTBX-8

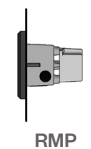
- 1**
- 1** Model
 RTBX-8 (surface mount)
 RTBX-8-FTK² (flush mount trim)



- Notes:**
1. Back Box can be shipped ahead of the steplight, upon request.
 2. Flush Mount Trim - Stainless steel trim for use with poured concrete and other surfaces to allow the front of the faceplate to sit flush with the finished surface. The trim forms a clean edge to define the boundary between the fixture and the wall material. Once installed, it can be painted to match the finished surface or left as unfinished stainless steel.

Optional Adaptor Plate Ordering Information (see pg 4 for details)

For retrofit applications using an existing wall box or cavity.



RMP-PRCx8 . _____ **x** _____ . _____

1 **2** **3** **4**

- 1** Model
RMP-PRCx8 - rear mount adaptor plate
- 2** Plate Size
 _____ x _____
 (W) (H)
- W: 9" min - 14" max
 H: 4.5" min - 10" max

- 3** Mounting Hole Location
CRN - corner (1 in each corner)
CNT - center (2 on vertical center)

- 4** Finish
ANT - Anthracite Gray
BLK - Satin Black
CLB - Classic Bronze
SLV - Silver
WHT - White
CSTM - Custom

Note: Back box is NOT used with this optional plate.

Note: A signed approval drawing showing the requested dimensions will be required to process an order.

Passo RT

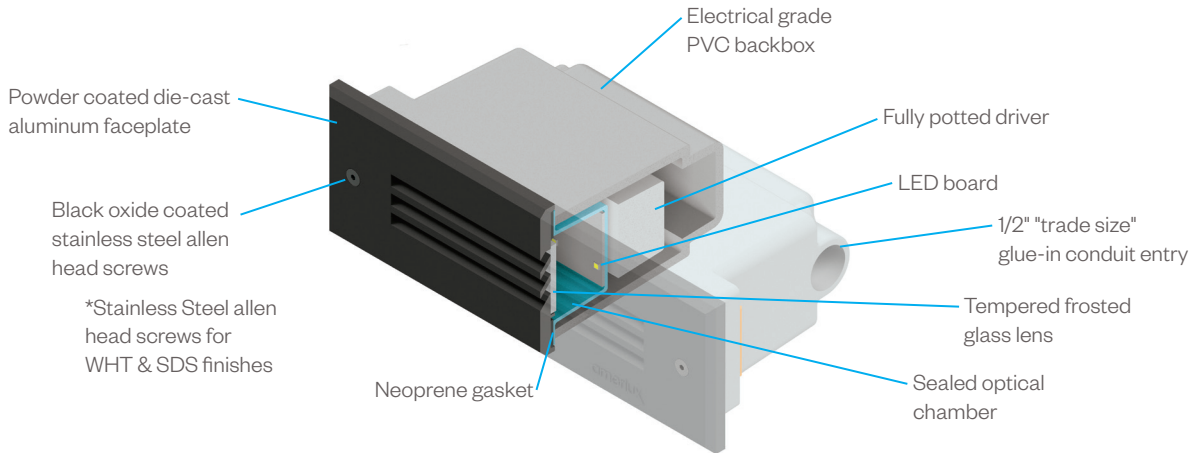
8" Louvered LED Steplight



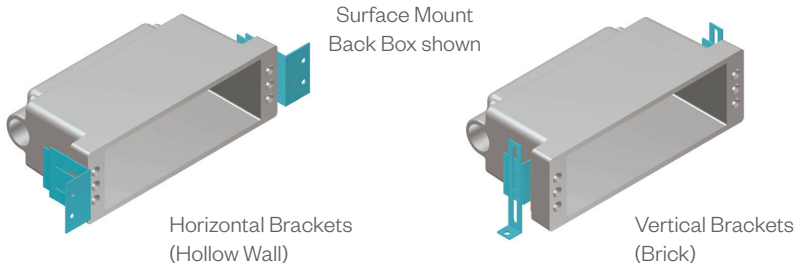
PROJECT:

TYPE:

Construction Detail

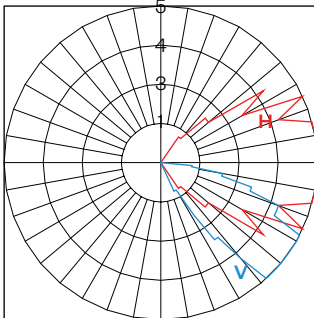


Application Brackets (included with order)



Performance Detail

PRCL8/L40 Polar Graph



Performance Code	CCT/CRI	Approx. Lumens	Drive Current	Nominal Input Power
L27	2700K/80	21	100mA	2W
L30	3000K/80	22		
L40	4000K/70	24		
H27	2700K/80	38	175mA	3W
H30	3000K/80	40		
H40	4000K/70	42		
VH27	2700K/80	67	350mA	6W
VH30	3000K/80	71		
VH40	4000K/70	74		

Amber Option

Model Code	Output
PRCL8-AL	50 mW
PRCL8-AH	100 mW

Note: IES files available on our website. For VHxx data - use Hxx ies files with a 1.77 multiplier.



Passo RT

8" Louvered LED Steplight

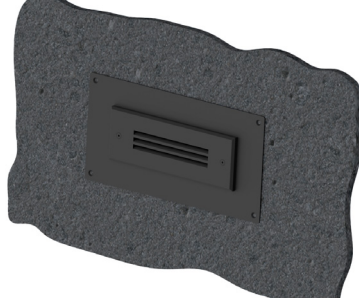


PROJECT:

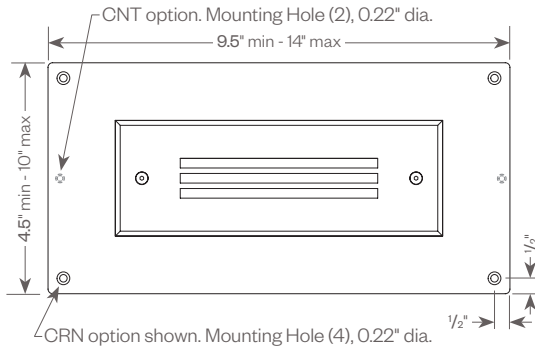
TYPE:

Adaptor Plate Detail

For retrofit applications using an existing wall box or cavity.



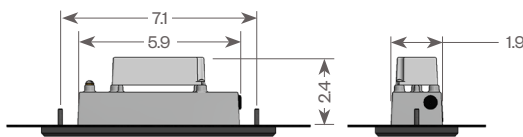
Rear Mount Plate (RMP-PRCx8)



Standard dimensions from the corner are shown.
If alternate dimensions are needed, please specify.

EDR Required for dimensions beyond the range shown.

Space required to mount fixture.



RMP-PRCx8		x		Note: A signed drawing will be required to process an order.	
1	2	3	4		

- 1 Model**
RMP-PRCx8 - rear mount adaptor plate
- 2 Plate Size**

-----	x	-----
(W)		(H)

W: 9.5" min - 14" max
H: 4.5" min - 10" max

- 3 Mounting Hole Location**
 CRN - corner (1 in each corner)
 CNT - center (2 on vertical center)
- 4 Finish**
 ANT - Anthracite Gray
 BLK - Satin Black
 CLB - Classic Bronze
 SLV - Silver
 WHT - White
 CSTM - Custom