

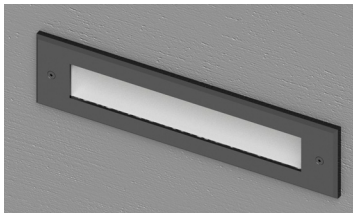
Passo RT

12" Soft Glow LED

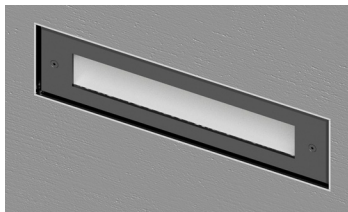
Steplight



Surface Mount



Flush Mount



Features

The Passo family of luminaires includes high quality, architecturally relevant fixtures suitable for use in both outdoor or indoor applications. All members of the Passo family feature an independently sealed optical chamber and fully potted driver. These features are especially beneficial in exterior applications as they help compensate for the challenges in getting a good seal between a pre-installed back box and the faceplate, as well as those challenges in fully sealing the conduit system. Each luminaire is available in a choice of three output levels to help tailor the desired illuminance to the project and a standard 0-10V dimmable driver allows even further flexibility. A new option for flush mount faceplate has been added.

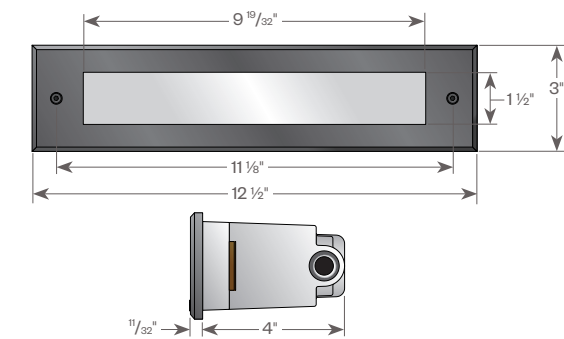
Product Overview

Type:	Stair & Pathway Lighting
Wattage:	up to 9W
Lumen Output :	up to 376 lm
Color Temp:	2700K, 3000K, 4000K
Dimming:	0-10V down to 10%

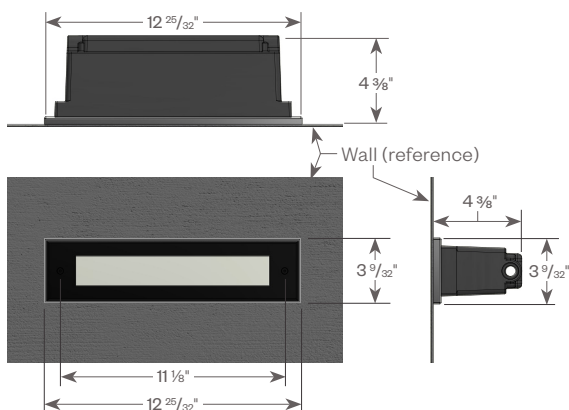
PROJECT:

TYPE:

Surface Mount



Flush Mount



Application:

Designed for new construction in brick, poured concrete, and hollow walls.

Construction:

- Electrical grade PVC housing
- Internal optical chamber
- Cast aluminum faceplate
- 1/8" tempered opal glass lens

Driver:

- Drive Current (175, 350 or 700mA)
- 2.5kv surge protection
- Fully potted
- Input voltage 120V-277V auto-sensing
- 0-10V dimmable down to 10%

ETL listed, suitable for wet locations.

Optics:

Individually sealed optical chamber with neoprene gasket insures LEDs are secure independent of the installation of the back box.

Finish:

Premium quality thermoset polyester powdercoat faceplate for a durable finish.



Passo RT

12" Soft Glow LED Steplight



PROJECT:

TYPE:

Luminaire Ordering Information

PRCS12

1

2

3

1 Model
PRCS12

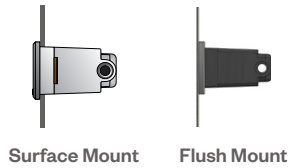
2 Performance Code
L27 - 2700K / 175mA
L30 - 3000K / 175mA
L40 - 4000K / 175mA
H27 - 2700K / 350mA
H30 - 3000K / 350mA
H40 - 4000K / 350mA
VH27 - 2700K / 700mA
VH30 - 3000K / 700mA
VH40 - 4000K / 700mA

3 Finish
ANT - Anthracite Gray
BLK - Satin Black
CLB - Classic Bronze
SLV - Silver
WHT - White
CSTM - Custom

Back Box¹ Ordering Information - Back Box must be ordered for a complete unit, ordered separately. Choose original surface mount box or new flush mount trim kit (recessed).

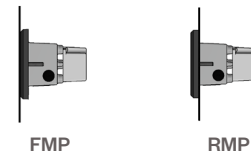
1

1 Model
RTBX-12 (surface mount)
RTBX-12-FTK² (flush mount trim)



- Notes:**
1. Back Box can be shipped ahead of the steplight, upon request.
 2. Flush Mount Trim - Stainless steel trim for use with poured concrete and other surfaces to allow the front of the faceplate to sit flush with the finished surface. The trim forms a clean edge to define the boundary between the fixture and the wall material. Once installed, it can be painted to match the finished surface or left as unfinished stainless steel.

Optional Adaptor Plate Ordering Information (see pg 4 for details)
 For retrofit applications using an existing wall box or cavity.



1

2

3

4

1 Model
FMP-PRCS12 - front mount adaptor plate
RMP-PRC^x12 - rear mount adaptor plate

2 Plate Size
 ----- x -----
 (W) (H)

W: 14" min - 22" max
 H: 4.5" min - 15" max

3 Mounting Hole Location
CRN - corner (1 in each corner)
CNT - center (2 on vertical center)

4 Finish
ANT - Anthracite Gray
BLK - Satin Black
CLB - Classic Bronze
SLV - Silver
WHT - White
CSTM - Custom

Note: A signed approval drawing showing the requested dimensions will be required to process an order.

Notes: Back box is NOT used with this optional plate.

Passo RT

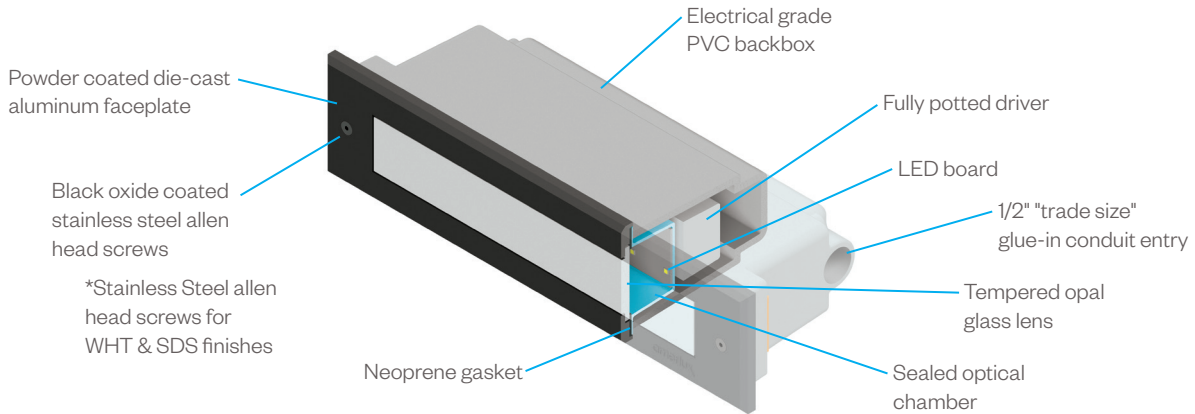
12" Soft Glow LED Steplight



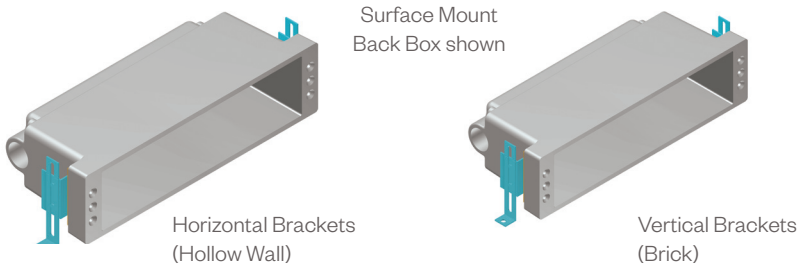
PROJECT:

TYPE:

Construction Detail

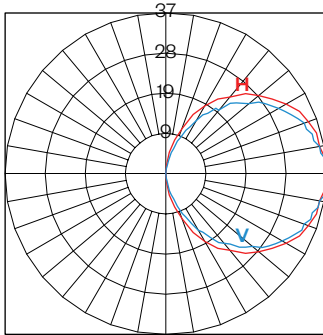


Application Brackets (included with order)



Performance Detail

PRCS12.L30 Polar Graph



Performance Code	CCT/CRI	Approx. Lumens	Drive Current	Nominal Input Power
L27	2700K/80	98	175mA	3W
L30	3000K/80	103		
L40	4000K/70	110	350mA	4.5W
H27	2700K/80	190		
H30	3000K/80	199		
H40	4000K/70	212	700mA	9W
VH27	2700K/80	337		
VH30	3000K/80	353		
VH40	4000K/70	376		

Note: IES files available on our website. For VHxx data - use Hxx ies files with a 1.77 multiplier.

Passo RT

12" Soft Glow LED Steplight

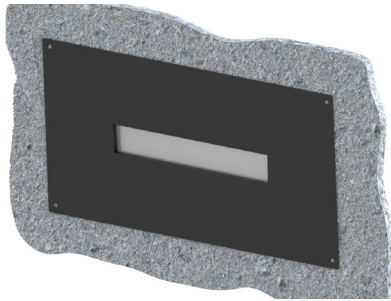


PROJECT:

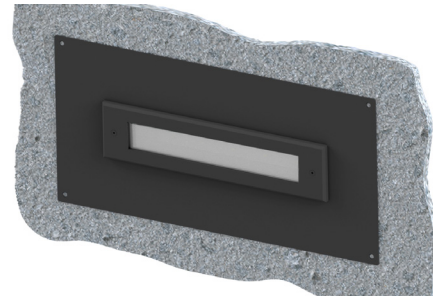
TYPE:

Adaptor Plate Detail

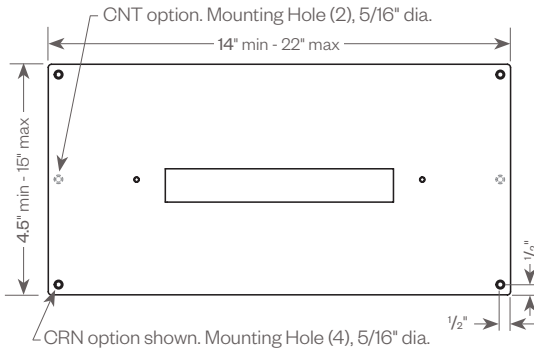
For retrofit applications using an existing wall box or cavity.



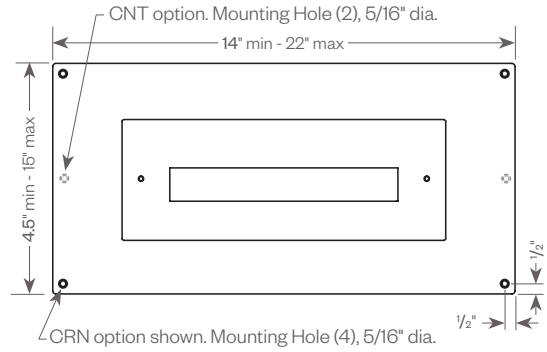
Front Mount Plate (FMP-PRCS12)



Rear Mount Plate (RMP-PRCx12)



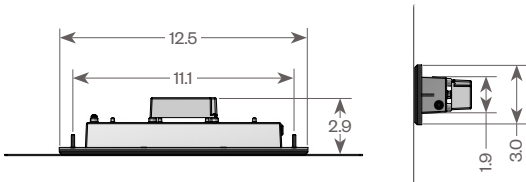
Standard dimensions from the corner are shown.
If alternate dimensions are needed, please specify.



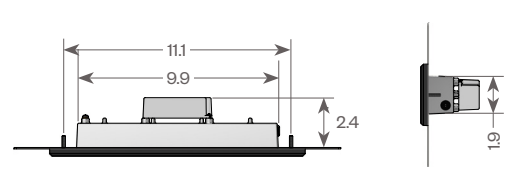
Standard dimensions from the corner are shown.
If alternate dimensions are needed, please specify.

EDR Required for dimensions beyond the range shown.

Space required to mount fixture.



Space required to mount fixture.



Note: A signed drawing will be required to process an order.

- 1 Model**
FMP-PRCS12 - front mount adaptor plate
RMP-PRCx12 - rear mount adaptor plate

- 3 Mounting Hole Location**
CRN - corner (1 in each corner)
CNT - center (2 on vertical center)

- 2 Plate Size**
 ----- x -----
 (W) (H)

W: 14" min - 22" max
 H: 4.5" min - 15" max

- 4 Finish**
ANT - Anthracite Gray
BLK - Satin Black
CLB - Classic Bronze
SLV - Silver
WHT - White
CSTM - Custom