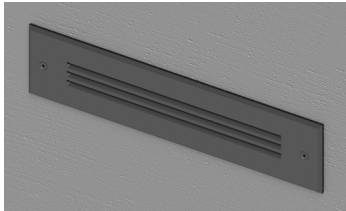


# Passo RT

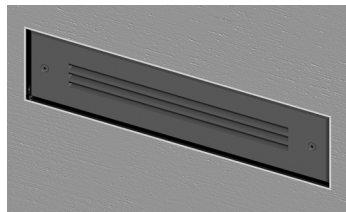
## 12" Louvered LED Steplight



Surface Mount



Flush Mount



### Features

The Passo family of luminaires includes high quality, architecturally relevant fixtures suitable for use in both outdoor or indoor applications. All members of the Passo family feature an independently sealed optical chamber and fully potted driver. These features are especially beneficial in exterior applications as they help compensate for the challenges in getting a good seal between a pre-installed back box and the faceplate, as well as those challenges in fully sealing the conduit system. Each luminaire is available in a choice of three output levels to help tailor the desired illuminance to the project and a standard 0-10V dimmable driver allows even further flexibility.

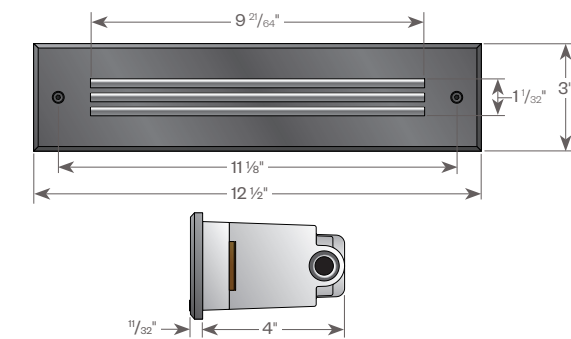
### Product Overview

Type:	Stair & Pathway Lighting
Wattage:	up to 9W
Lumen Output :	up to 138 lm
Color Temp:	2700K, 3000K, 4000K, Amber
Dimming:	0-10V down to 10%

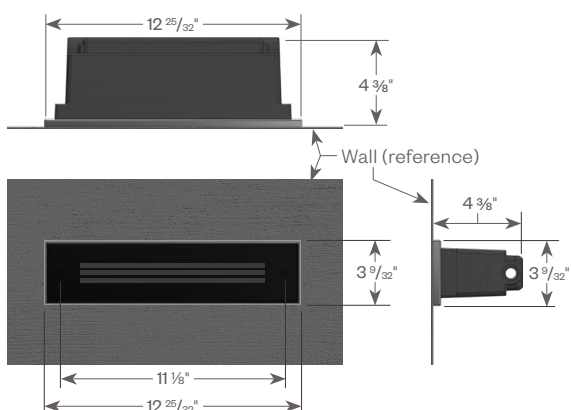
### PROJECT:

### TYPE:

Surface Mount



Flush Mount



### Application:

Designed for new construction in brick, poured concrete, and hollow walls.

### Construction:

- Electrical grade PVC housing
- Internal optical chamber
- Cast aluminum faceplate
- 1/8" tempered frosted glass lens

### Driver:

- Drive Current (175, 350 or 700mA)
- 2.5kv surge protection
- Fully potted
- Input voltage 120V-277V auto-sensing
- 0-10V dimmable down to 10%

**ETL listed, suitable for wet locations.**

### Optics:

Individually sealed optical chamber with neoprene gasket insures LEDs are secure independent of the installation of the back box.

### Finish:

Premium quality thermoset polyester powdercoat faceplate for a durable finish. Wildlife Lighting finishes available (for use with Amber option only).



# Passo RT

12" Louvered LED Steplight



## PROJECT:

## TYPE:

### Luminaire Ordering Information

PRCL12 . \_\_\_\_\_ . \_\_\_\_\_ . \_\_\_\_\_

**1**                      **2**                      **3**

- 1** Model  
PRCL12
- 2** Performance Code  
**L27** - 2700K / 175mA  
**L30** - 3000K / 175mA  
**L40** - 4000K / 175mA  
**H27** - 2700K / 350mA  
**H30** - 3000K / 350mA  
**H40** - 4000K / 350mA  
**VH27** - 2700K / 700mA  
**VH30** - 3000K / 700mA  
**VH40** - 4000K / 700mA  
**AL** - Amber, Low  
**AH** - Amber, High

- 3** Finish  
**ANT\*** - Anthracite Gray  
**BLK\*** - Satin Black  
**CLB\*** - Classic Bronze  
**SLV** - Silver  
**WHT** - White  
**CSTM** - Custom

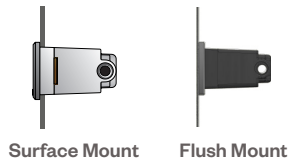


\* FWC Approved Finishes  
For Amber Light Source

**Back Box<sup>1</sup> Ordering Information** - Back Box must be ordered for a complete unit, ordered separately. Choose original surface mount box or new flush mount trim kit (recessed).

**1**

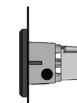
**1** Model  
**RTBX-12** (surface mount)  
**RTBX-12-FTK<sup>2</sup>** (flush mount trim)



- Notes:**
- Back Box can be shipped ahead of the steplight, upon request.
  - Flush Mount Trim - Stainless steel trim for use with poured concrete and other surfaces to allow the front of the faceplate to sit flush with the finished surface. The trim forms a clean edge to define the boundary between the fixture and the wall material. Once installed, it can be painted to match the finished surface or left as unfinished stainless steel.

### Optional Adaptor Plate Ordering Information (see pg 4 for details)

For retrofit applications using an existing wall box or cavity.



RMP

RMP-PRCx12 . \_\_\_\_\_ x \_\_\_\_\_ . \_\_\_\_\_ . \_\_\_\_\_

**1**                      **2**                      **3**                      **4**

- 1** Model  
RMP-PRCx12 - rear mount adaptor plate
- 2** Plate Size  
 \_\_\_\_\_ x \_\_\_\_\_  
 (W)                      (H)
- W: 14" min - 22" max  
 H: 4.5" min - 15" max

- 3** Mounting Hole Location  
**CRN** - corner (1 in each corner)  
**CNT** - center (2 on vertical center)

- 4** Finish  
**ANT** - Anthracite Gray  
**BLK** - Satin Black  
**CLB** - Classic Bronze  
**SLV** - Silver  
**WHT** - White  
**CSTM** - Custom

**Note:** Back box is NOT used with this optional plate.

**Note:** A signed approval drawing showing the requested dimensions will be required to process an order.

# Passo RT

12" Louvered LED Steplight

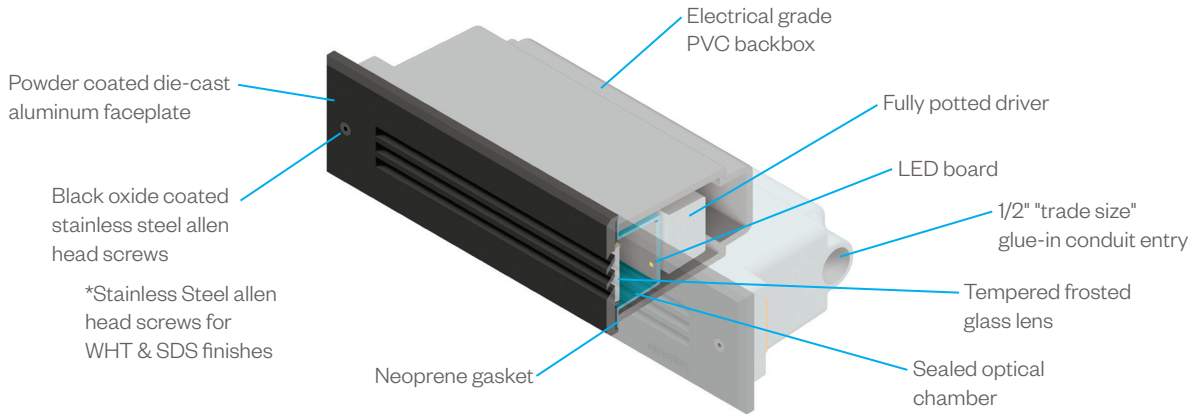


Passo RT 12" Louvered Steplight

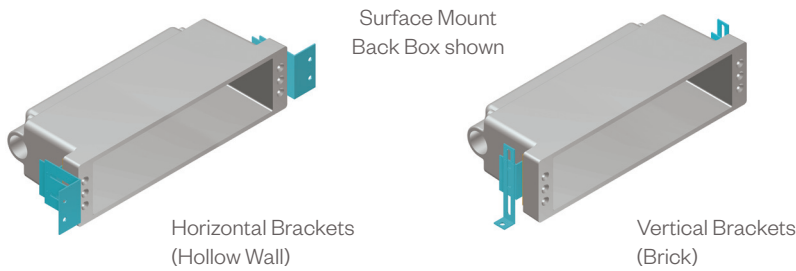
## PROJECT:

## TYPE:

### Construction Detail

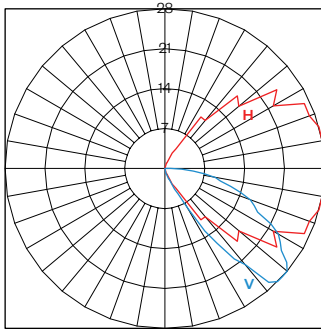


### Application Brackets (included with order)



### Performance Detail

PRCL12/H30 Polar Graph



Performance Code	CCT/CRI	Approx. Lumens	Drive Current	Nominal Input Power
L27	2700K/80	35	175mA	3W
L30	3000K/80	37		
L40	4000K/70	40		
H27	2700K/80	69	350mA	4.5W
H30	3000K/80	73		
H40	4000K/70	78		
VH27	2700K/80	122	700mA	9W
VH30	3000K/80	129		
VH40	4000K/70	138		

#### Amber Option

Model Code	Output
PRCL12-AL	116 mW
PRCL12-AH	233 mW



Note: IES files available on our website. For VHxx data - use Hxx ies files with a 1.77 multiplier.

# Passo RT

12" Louvered LED Steplight

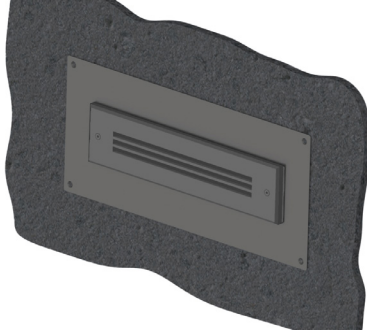


## PROJECT:

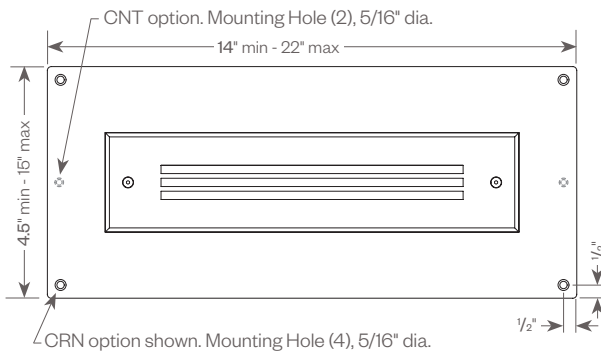
## TYPE:

### Adaptor Plate Detail

For retrofit applications using an existing wall box or cavity.



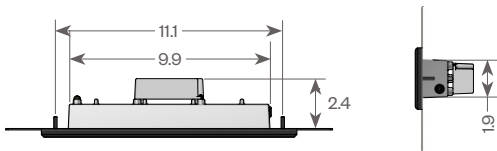
Rear Mount Plate (RMP-PRCx12)



Standard dimensions from the corner are shown.  
If alternate dimensions are needed, please specify.

**EDR Required for dimensions beyond the range shown.**

Space required to mount fixture.



RMP-PRCx12

x

1

2

3

4

Note: A signed drawing will be required to process an order.

1

Model

RMP-PRCx12 - rear mount adaptor plate

3

Mounting Hole Location

CRN - corner (1 in each corner)  
CNT - center (2 on vertical center)

2

Plate Size

----- x -----  
(W) (H)

W: 14" min - 22" max  
H: 4.5" min - 15" max

4

Finish

ANT - Anthracite Gray  
BLK - Satin Black  
CLB - Classic Bronze  
SLV - Silver  
WHT - White  
CSTM - Custom