

DPM

Downlight Pendant-Medium 22" LED Luminaire



Features

Performance and directional control make this luminaire highly versatile and able to accommodate needs in the strictest environments. Multiple size and shade configurations make this luminaire suitable for a wide variety of decorative applications, especially where a Dark Sky friendly instrument is desirable. This luminaire uses less than 60% of the energy yet achieves greater fixture spacing, improved uniformity vs. Metal Halide. An optional Smartsite wireless lighting controller is available.

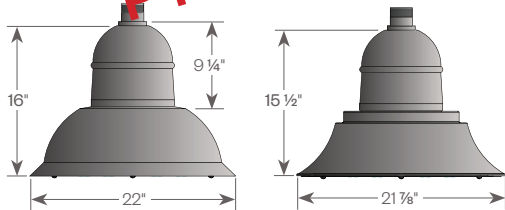
Product Overview

Wattage:	82W, 126W
Lumen Output :	9,570 lm (126W, 5000K)
Color Temp:	3000K, 4000K, 5000K
Dimming:	0-10V dimming

DISCONTINUED
PRODUCT REPLACEMENT: DPM-xD

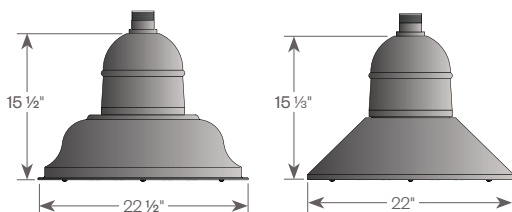
PROJECT:

TYPE:



DPM-1
EPA: 1.9

DPM-2
EPA: 1.0



DPM-3
EPA: 1.7

DPM-4
EPA: 1.0

Installation:

The luminaire will mount to the bracket. Post top luminaire brackets will mount to a 3" OD post or tenon with (6) 5/16" stainless steel set screws. Wall bracket models have four 3/8" holes for mounting (wall mount hardware is not included).

Construction:

- Cast aluminum housing
- Spun aluminum shade

Optics:

- High Performance individual optical refractive lens for each LED module.
- Cool, neutral, or warm color temperatures
- IESNA Full Cutoff
- Available in Type 2, 3, 4, or 5 light patterns

Optical Chamber:

Individual IP66 sealed optical modules

Driver:

Convection cooled driver with electronic constant current operation with over voltage and short circuit protection. Automatic voltage sensing for 120V to 277V input. 0-10V dimming.

Finish:

Durable thermoset polyester powdercoat finish in the following:

- Satin Black (BLK)
- Classic Bronze (CLB)
- Gloss Textured Bronze (GBZ)
- Green (GRN)
- Gloss Textured Black (GTB)
- Textured Black (TBK)
- Gloss Textured Green (TGR)

Accessories

- Wireless control option

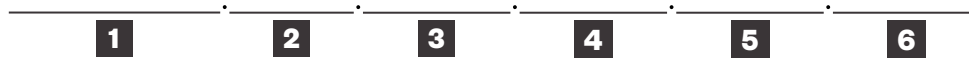
ETL listed, suitable for wet locations.



PROJECT:

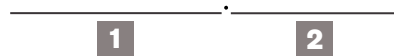
TYPE:

Ordering Information



- | | |
|---|--|
| <p>1 <u>Model</u>
DPM-1
DPM-2
DPM-3
DPM-4</p> <p>2 <u>Light Distribution</u>
T2 - Type 2
T3 - Type 3
T4 - Type 4
T5 - Type 5</p> <p>3 <u>Performance Code</u>
3L - 3,000K, 82W
4L - 4,000K, 82W
5L - 5,000K, 82W
3H - 3,000K, 126W
4H - 4,000K, 126W
5H - 5,000K, 126W</p> | <p>4 <u>Finish</u>
BLK - Satin Black
CLB - Classic Bronze
GBZ - Gloss Textured Bronze
GRN - Green
GTB - Gloss Textured Black
TBK - Textured Black
TGR - Gloss Textured Green
CSTM - Custom</p> <p>5 <u>Dimming Option</u>
DM - 0-10V dimming</p> <p>6 <u>Options/Accessories</u>
SSINT-1 - Integrated Wireless Control Node
(for operation on the SmartSite control platform)</p> |
|---|--|

Mounting Ordering Information (see pg 3 for details)



- | | |
|---|---|
| <p>1 <u>Model</u>
CBR01-1-24-L - pendant bracket, single arm, 24"
CBR01-1-36-L - pendant bracket, single arm, 36"
CBR40-1-24-L - pendant bracket, single arm, 24"
CBR40-2-24-L - pendant bracket, double arm, 24" ea.
CBR81-1-30-L - pendant bracket, single arm, 30"
CBR81-2-30-L - pendant bracket, double arm, 30" ea.
PT40 - pendant crook, single arm
PT41R - pendant crook, single arm
PT42R - pendant crook, double arm</p> | <p>2 <u>Finish</u>
BLK - Satin Black
CLB - Classic Bronze
GBZ - Gloss Textured Bronze
GRN - Green
GTB - Gloss Textured Black
TBK - Textured Black
TGR - Gloss Textured Green
CSTM - Custom</p> |
|---|---|

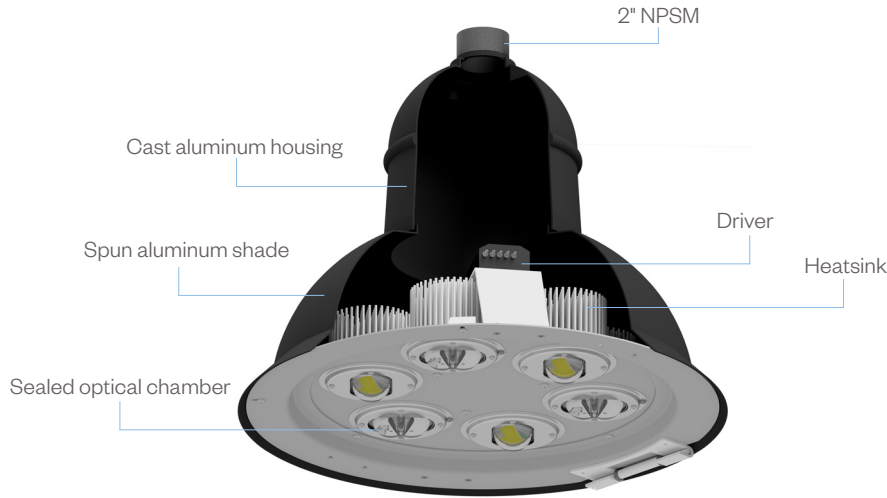
DPM

Downlight Pendant-Medium, 22" LED Luminaire

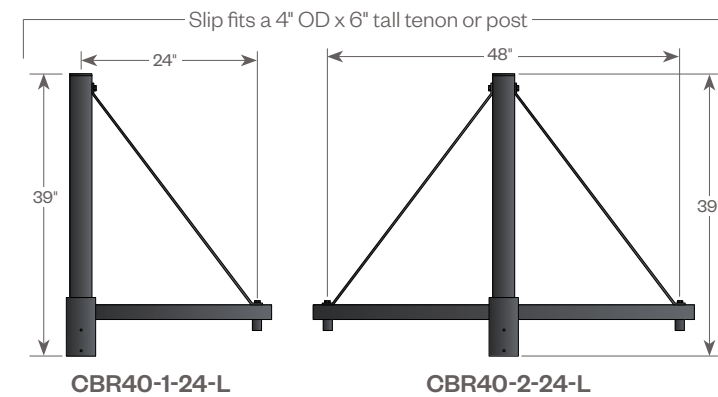
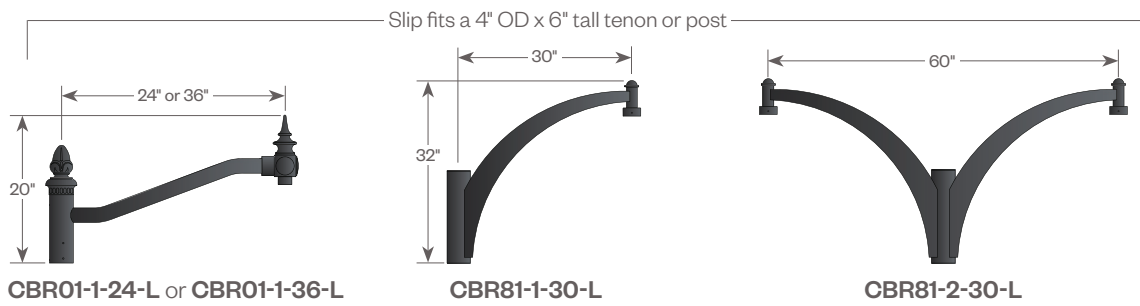
PROJECT:

TYPE:

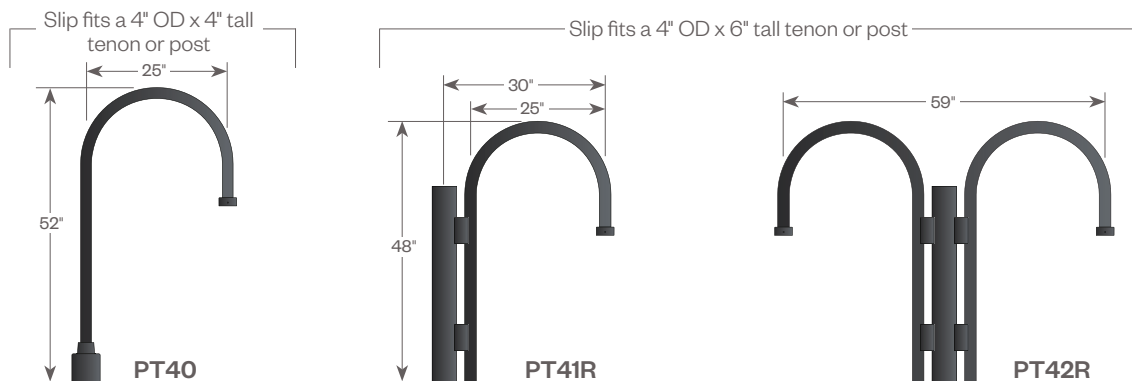
Assembly Details



Mounting Options



	EPA
CBR01-1-36	0.84
CBR40-1-24	1.02
CBR40-2-24	1.34
PT40	0.9
PT41R	1.65
PT42R	2.66



DPM

Downlight Pendant-Medium, 22" LED Luminaire

PROJECT:

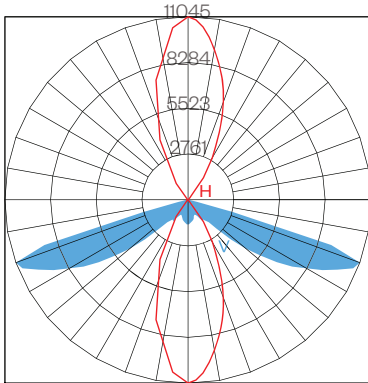
TYPE:

Performance Chart

Performance Code	CCT	CRI	Approx. Lumens Delivered	Nominal Input Power
3L	3,000K	80	5,860	82W (4 LED)
4L	4,000K	80	6,070	
5L	5,000K	70	6,280	
3H	3,000K	80	8,980	126W (6 LED)
4H	4,000K	80	9,260	
5H	5,000K	70	9,570	

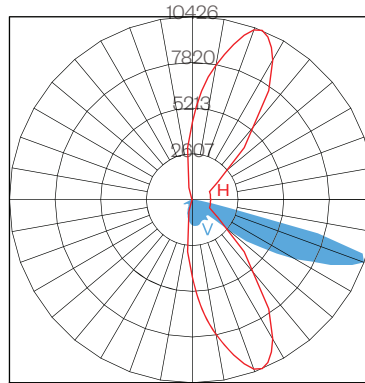
Typical Photometry

DPM-X-T2-3H



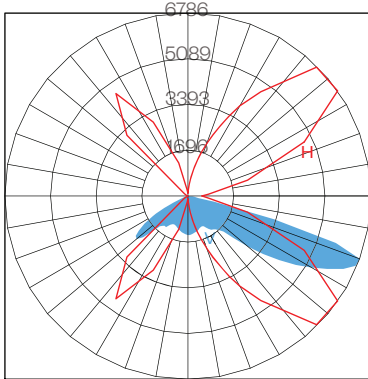
Maximum Candela = 11045
Located At Horizontal Angle = 90; Vertical Angle = 70
H - Horizontal Axial Candela; V - Vertical Axial Candela

DPM-X-T3-3H



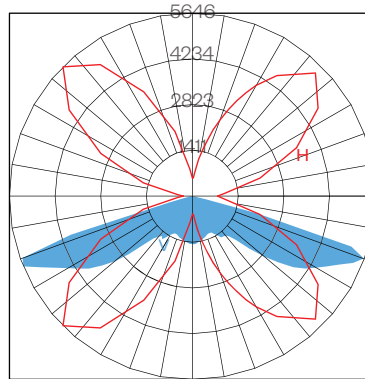
Maximum Candela = 10426
Located At Horizontal Angle = 67.5; Vertical Angle = 70
H - Horizontal Axial Candela; V - Vertical Axial Candela

DPM-X-T4-3H



Maximum Candela = 6786
Located At Horizontal Angle = 35; Vertical Angle = 70
H - Horizontal Axial Candela; V - Vertical Axial Candela

DPM-X-T5-3H



Maximum Candela = 5646
Located At Horizontal Angle = 135; Vertical Angle = 67.5
H - Horizontal Axial Candela; V - Vertical Axial Candela