

D154-TS20 Series

HID Luminaire



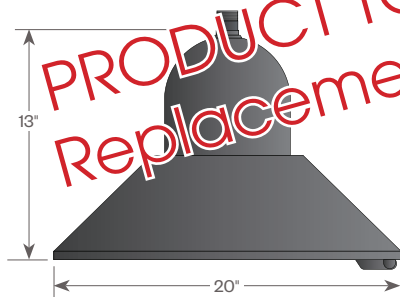
Features

This contemporary styled D154-TS20 Series combines a cast aluminum housing, a spun aluminum shade and segmented reflector to create an efficient luminaire with Type III (HR3) or Type V (HR5) light distribution.

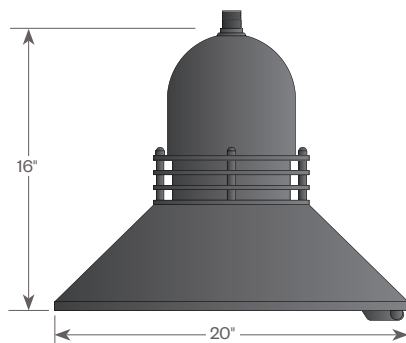
Product Overview

Wattage:	70W, 100W, 150W (MH)
	70W, 100W, 150W (HPS)
Lumen Output :	8,500 lm typ

PROJECT:



D154-TS20
EPA: 1.23



D154-TS20RUL
EPA: 1.23

PRODUCT TO BE DISCONTINUED 12/31/23
Replacement Product: DPS or DPM Series

Installation:

The luminaire will mount to the bracket as shown on the reverse page. Post top luminaire brackets will mount to a 3" OD post or tenon with (6) 5/16" stainless steel set screws.

Electrical:

- High power factor ballast (HPF), core and coil type, pre-wired and tested
- 4KV pulse rated porcelain socket

Optical Systems:

- **HR3** -Type III segmented reflector with a clear glass lens.
- **HR5** -Type V segmented reflector with a clear glass lens.

Finish:

Durable thermoset polyester powdercoat finish in the following:

- Satin Black (**BLK**)
- Classic Bronze (**CLB**)
- Gloss Textured Bronze (**GBZ**)
- Green (**GRN**)
- Gloss Textured Black (**GTB**)
- Textured Black (**TBK**)
- Gloss Textured Green (**TGR**)

ETL listed, suitable for wet locations.



Standard



With HR-CCA



D154-TS20 Series

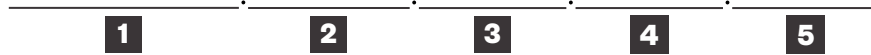
HID Luminaire



PROJECT:

TYPE:

Ordering Information



- | | |
|---|--|
| 1 <u>Model</u>
D154-TS20
D154-TS20RUL | 4 <u>Voltage</u>
120V
208V
240V
277V |
| 2 <u>Optical Option</u>
HR3 - Type 3 Reflector
HR5 - Type 5 Reflector | 5 <u>Finish</u>
BLK - Satin Black
CLB - Classic Bronze
GBZ - Gloss Textured Bronze
GRN - Green
GTB - Gloss Textured Black
TBK - Textured Black
TGR - Gloss Textured Green
CSTM - Custom |
| 3 <u>Light Source</u>
70MH - 70W Metal Halide
100MH - 100W Metal Halide
150MH - 150W Metal Halide
70HPS - 70W High Pressure Sodium
100HPS - 100W High Pressure Sodium
150HPS - 150W High Pressure Sodium
MDO - Medium Socket Only | |

Mounting Ordering Information



- | | |
|--|--|
| 1 <u>Model</u>
PT01
PT12
WBRO3
WBR06-13PM-S
WBR06-15PM-S
CBR40-2-24-S
CBR40-1-24-S | 2 <u>Finish</u>
BLK - Satin Black
CLB - Classic Bronze
GBZ - Gloss Textured Bronze
GRN - Green
GTB - Gloss Textured Black
TBK - Textured Black
TGR - Gloss Textured Green
CSTM - Custom |
|--|--|

D154-TS20 Series

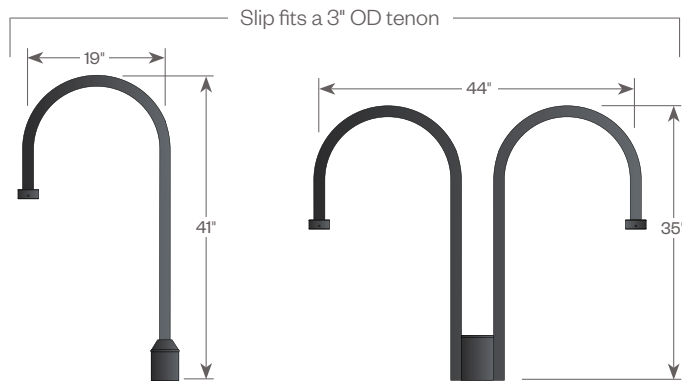
HID Luminaire



PROJECT:

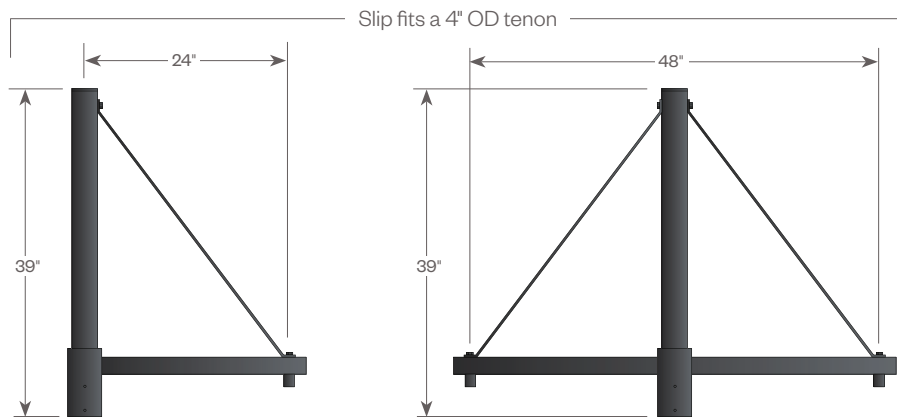
TYPE:

Mounting Options



PT01
EPA: 0.61

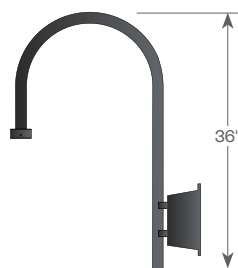
PT12
EPA: 1.04



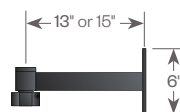
CBR40-1-24-S
EPA: 1.02

CBR40-2-24-S
EPA: 1.34

Wall Brackets



WBR03



WBR06-13PM-S
WBR06-15PM-S

D154-TS20 Series

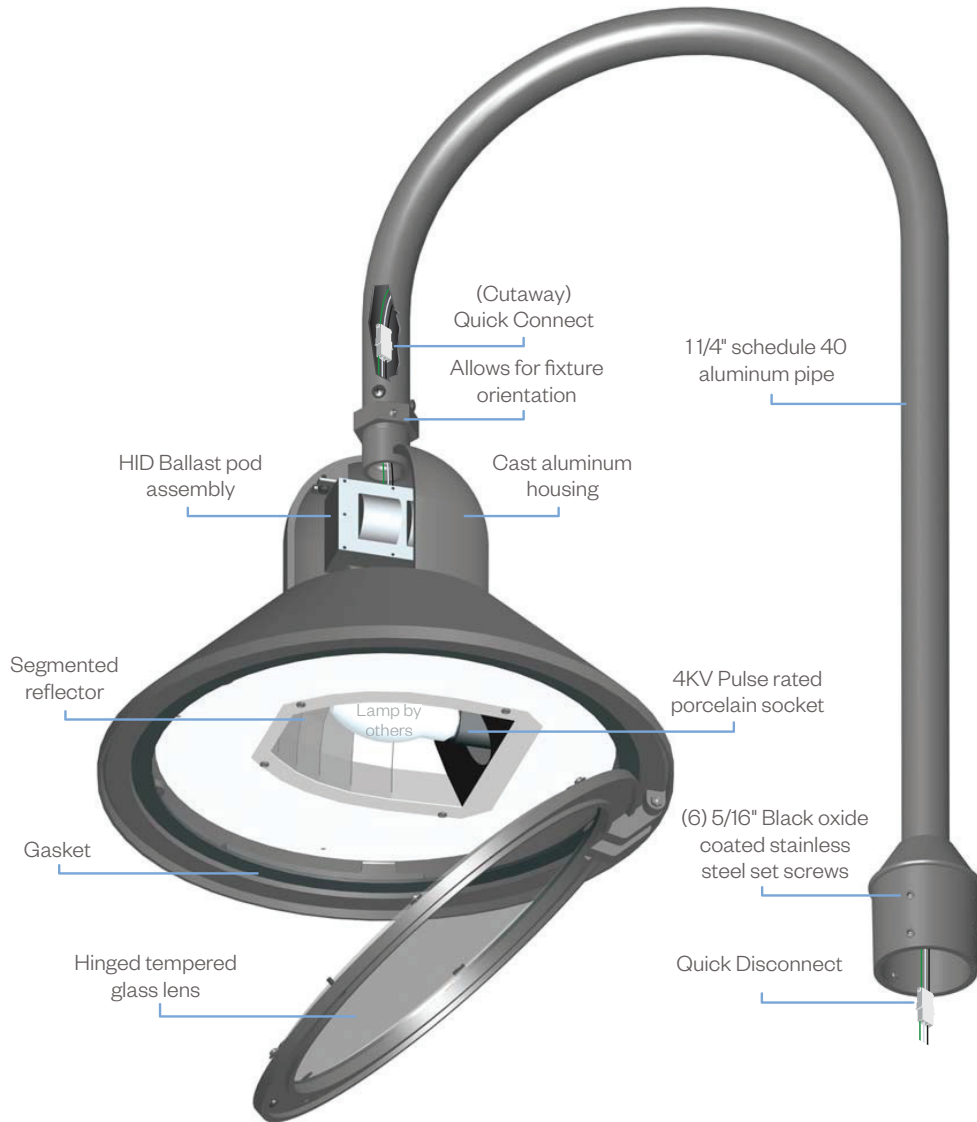
HID Luminaire



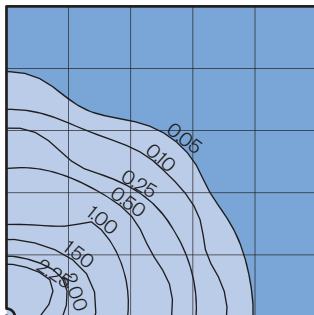
PROJECT:

TYPE:

Assembly Details
(Example: PT01/D154-TS20/HR3-GL)



Photometry



PT01/D154-TS20/HR5
Typical HID light source
8,500 Lumens
12' Mounting Height
Grid Spacing is 12'

Socket Types

Wattage	Socket Type
70MH, 100MH, 150MH	Medium
70HPS, 100HPS, 150HPS	Medium