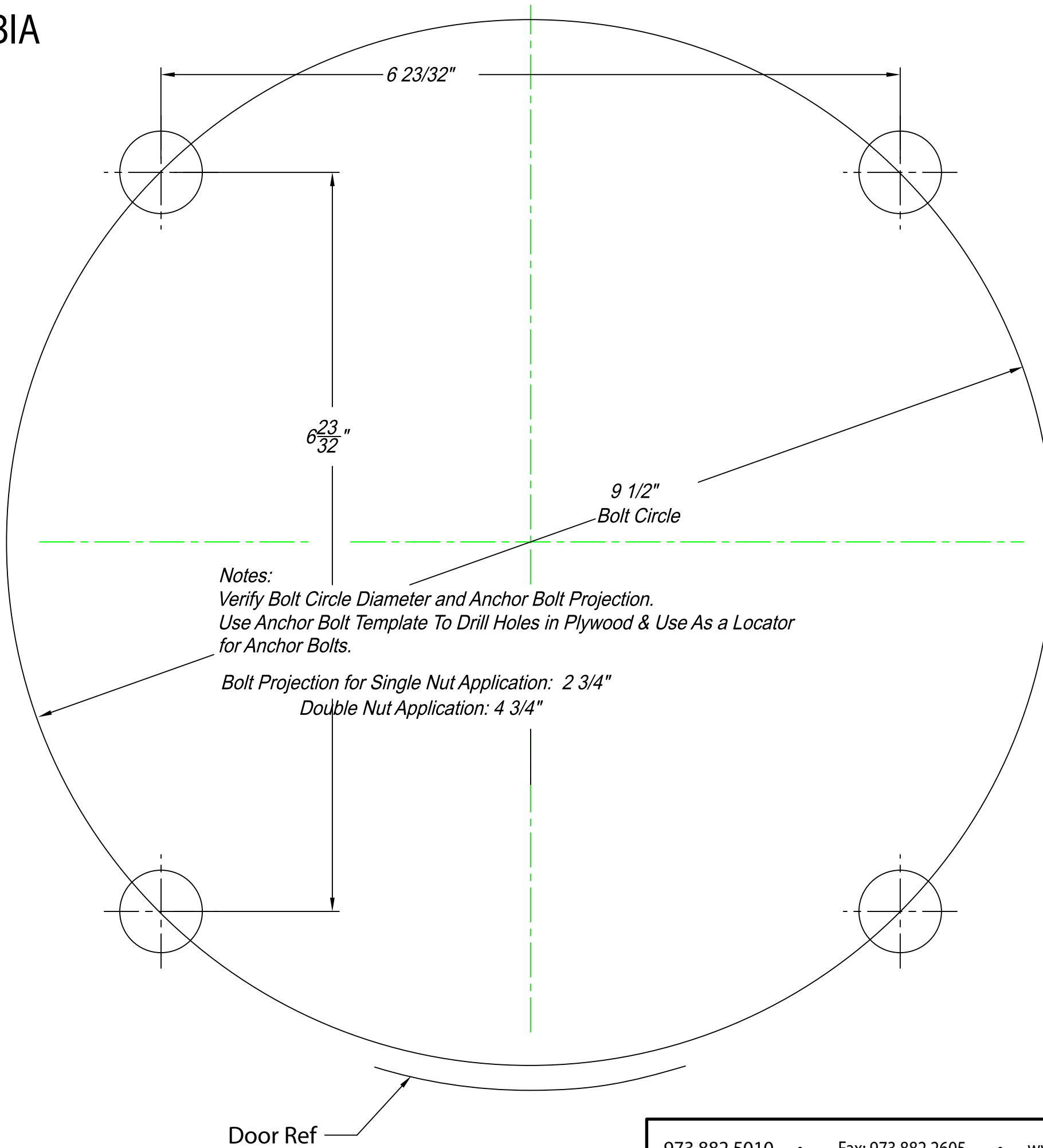


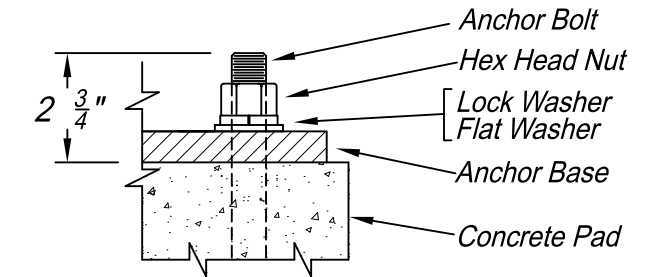
COLUMBIA  
 AP7202  
 AP7203  
 AP7204



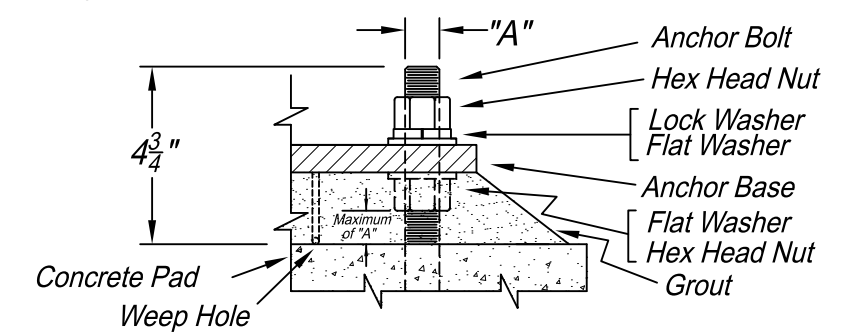
**PLEASE VERIFY MEASUREMENTS AFTER PRINTING.**

**This page is designed to be Printed at 100%.  
 Do not "Fit to Page" or reduce the size.  
 The measurements shown should be physically checked  
 after printing before using as a mounting template**

*Bolt Projection for Single Nut Application: 2 3/4"*



*Bolt Projection for Double Nut Application: 4 3/4"*



(Ref. Hapco Dwg A13902)

**Note:**  
 Maximum Dimension Between Bottom of Leveling Nut  
 and Top of Concrete Pad Is One Anchor Bolt Dia.