

APQ90 Series

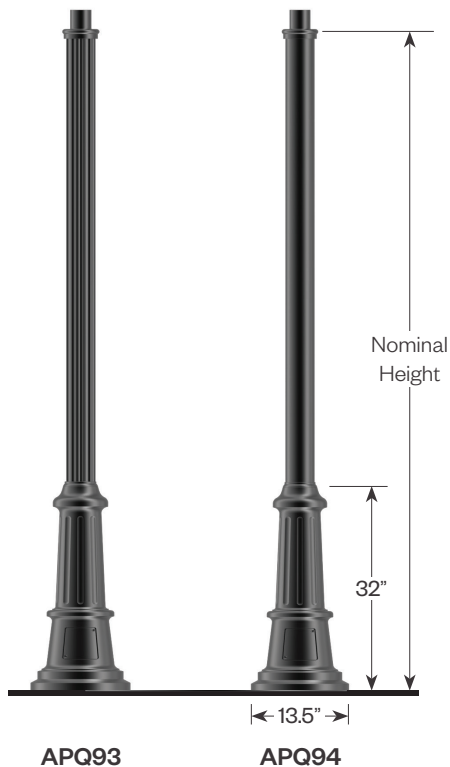


Features

- Strong, lightweight and easy to install
- Extruded aluminum shaft welded to a decorative cast aluminum base
- 3" O.D. x 3" tall tenon included for luminaire mounting
- Access door for wiring secured with stainless steel screws
- Ground lug included inside base
- Durable powder coat finish

PROJECT:

TYPE:



Materials:

- Base - Cast aluminum (A356)
- Shaft - Extruded Aluminum (6061-T6)
- Tenon - Cast Aluminum (A356)
- Anchor Bolts - Hot dipped galvanized
- Hardware - Stainless Steel

Finish:

The post will be finished with an electrostatically applied polyester powder coat suitable for exterior use. The poles are pretreated using industry standard environmentally responsible processes for a long lasting and durable finish.

Anchorage:

- 1/2" x 18" x 3" Hot-dipped galvanized steel L-type anchor bolts (ordered separately)

See pg 3 for more details.



PROJECT:

TYPE:

Pole Ordering Information



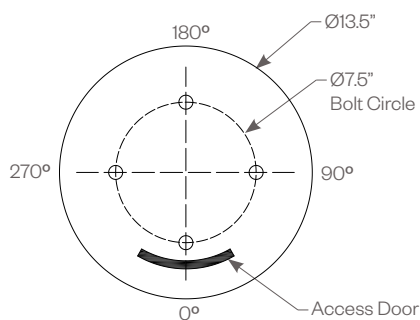
- | | |
|--|--|
| <p>1 <u>Model</u> APQ93 - 4" O.D. fluted pole, 0.125 wall APQ94 - 4" O.D. smooth pole, 0.125 wall</p> <p>2 <u>Pole Height</u> (nominal-actual) 08 - 7'-8" 10 - 9'-8" 12 - 11'-8" 14 - 13'-8"</p> | <p>3 <u>Finish</u> BLK - satin black CLB - classic bronze GRN - green TBK - textured black</p> <p>4 <u>Option</u> (3" OD x 3" tall tenon is standard) LT - less tenon GFCI-TOP - ground fault circuit protected outlet, placed 6" from the top of pole GFCI-BTM - ground fault circuit protected outlet, placed 6" above the base</p> |
|--|--|

Anchor Bolt Ordering Information (Ordered separately, can be pre-shipped upon request)



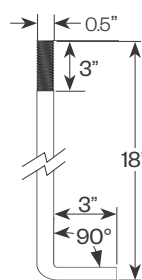
- 1** Model
APQ90-555-0004 - 1/2" x 18" anchor bolts

7.5" Bolt Circle



Anchor bolts and templates can be requested prior to product shipment.

Anchor Details



- (4) 1/2" Galvanized Steel L-Type Anchor Bolts
- (8) 1/2" Galvanized Steel Hex Nuts
- (8) Galvanized Steel Flat Washers

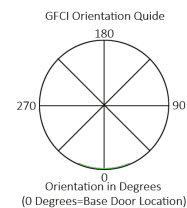
Anchor bolts are accessed by removing the base door



Accessories

GFCI - provision for Ground Fault Circuit Interrupter outlet with NEC required wet location while in use type cover (WIUC). The cover is made of die-cast aluminum and will be painted to match.

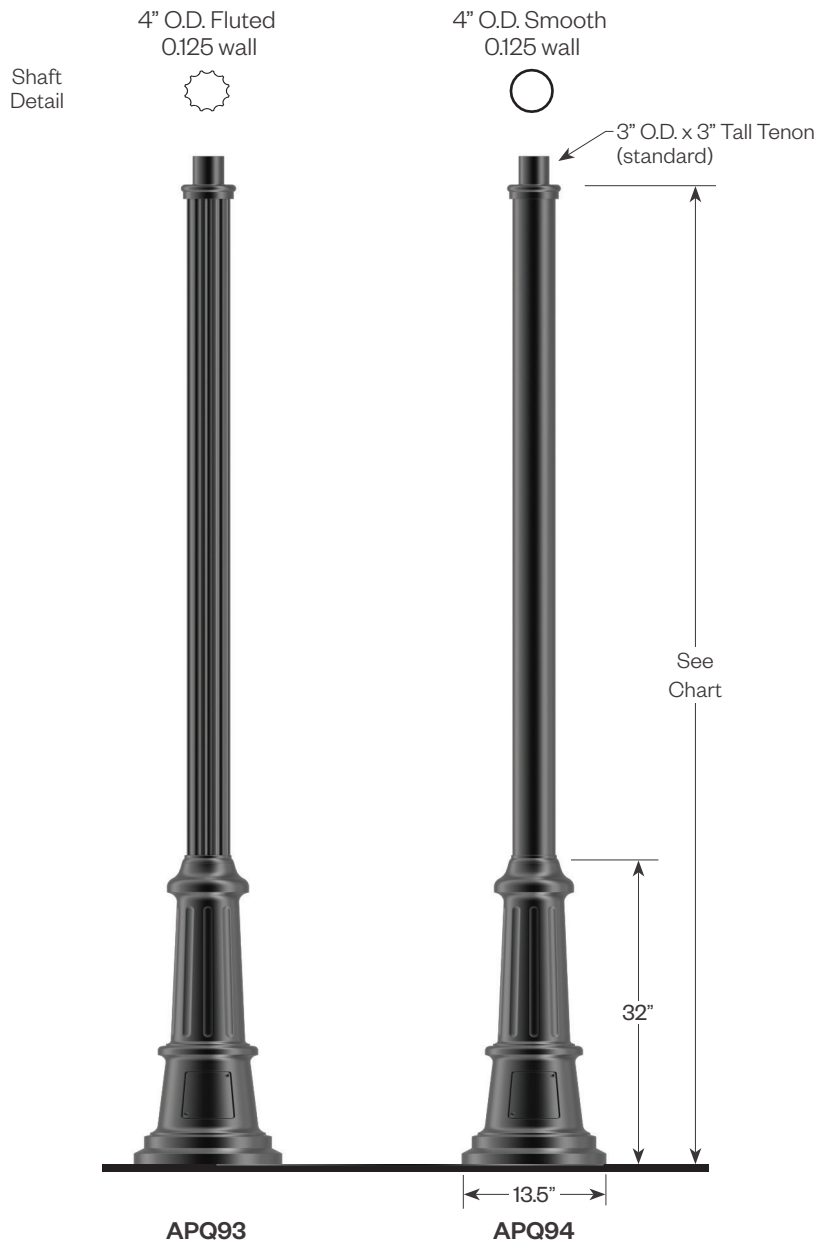
GFCI ORIENTATION is stated as degrees from access door and GFCI Placement on shaft must be specified in ordering guide.
TOP - placement will be 6" from top of pole.
BTM - placement will be 6" above the base.



APQ90 Series

PROJECT:

TYPE:



| APQ93-xx | APQ94-xx | Actual Height |
|----------|----------|---------------|
| APQ93-08 | APQ94-08 | 7'-8" |
| APQ93-10 | APQ94-10 | 9'-8" |
| APQ93-12 | APQ94-12 | 11'-8" |
| APQ93-14 | APQ94-14 | 13'-8" |