

APQ510 Series

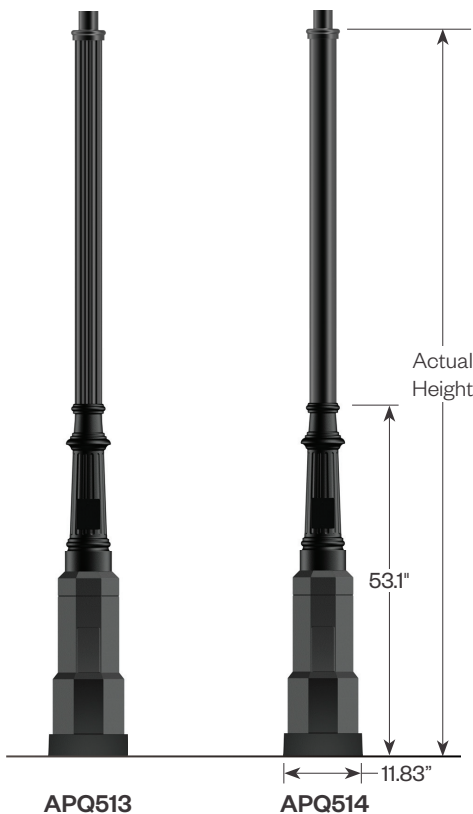


Features

- Strong, lightweight and easy to install
- Extruded aluminum shaft welded to a decorative cast aluminum base
- 3" O.D. x 3" tall tenon included for luminaire mounting
- Access door for wiring secured with stainless steel screws
- Ground lug included inside base
- Durable powder coat finish

PROJECT:

TYPE:



Materials:

- Base - Cast aluminum (A356)
- Shaft - Extruded Aluminum (6061-T6)
- Tenon - Cast Aluminum (A356)
- Anchor Bolts - Hot dipped galvanized
- Hardware - Stainless Steel

Finish:

The post will be finished with an electrostatically applied polyester powder coat suitable for exterior use. The poles are pretreated using industry standard environmentally responsible processes for a long lasting and durable finish.

Anchorage:

- 1/2" x 18" x 3" Hot-dipped galvanized steel L-type anchor bolts (ordered separately)

See pg 3 for more details.



PROJECT:

TYPE:

Pole Ordering Information



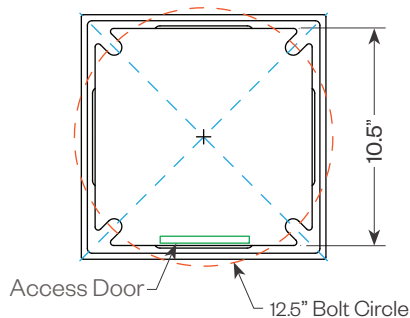
1 Model	2 Pole Height	3 Finish	4 Options
APQ513 4" O.D. fluted pole, 0.125 wall APQ514 4" O.D. smooth pole, 0.125 wall	08 7'-8" 10 9'-8" 12 11'-8" 14 13'-8"	BLK satin black CLB classic bronze GRN green TBK textured black	(3" O.D. x 3" tall tenon standard) LT less tenon GFCI-TOP ground fault circuit protected outlet, placed 6" from the top of pole GFCI-BTM ground fault circuit protected outlet, placed 6" above the base

Anchor Bolt Ordering Information (Ordered separately, can be pre-shipped upon request)

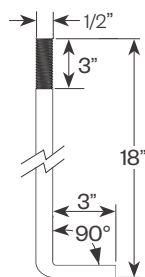


1 Model
APQ510-555-0004 1/2" x 18" anchor bolts

Bolt Circle Detail



Anchor Details



- (4) 1/2" Galvanized Steel L-Type Anchor Bolts
- (8) 1/2" Galvanized Steel Hex Nuts
- (8) Galvanized Steel Flat Washers

Wiring is accessed by removing the base door



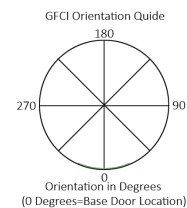
Accessories

GFCI - provision for Ground Fault Circuit Interrupter outlet with NEC required wet location while in use type cover (WIUC). The cover is made of die-cast aluminum and will be painted to match.

GFCI ORIENTATION is stated as degrees from access door and GFCI Placement on shaft must be specified in ordering guide.

TOP - placement will be 6" from top of pole.

BTM - placement will be 6" above the base.



APQ510 Series

PROJECT:

TYPE:



APQ513-xx	APQ514-xx	Actual Height
APQ513-08	APQ514-08	8'-3"
APQ513-10	APQ514-10	10'-3"
APQ513-12	APQ514-12	12'-3"
APQ513-14	APQ514-14	14'-3"