

APQ20 Series

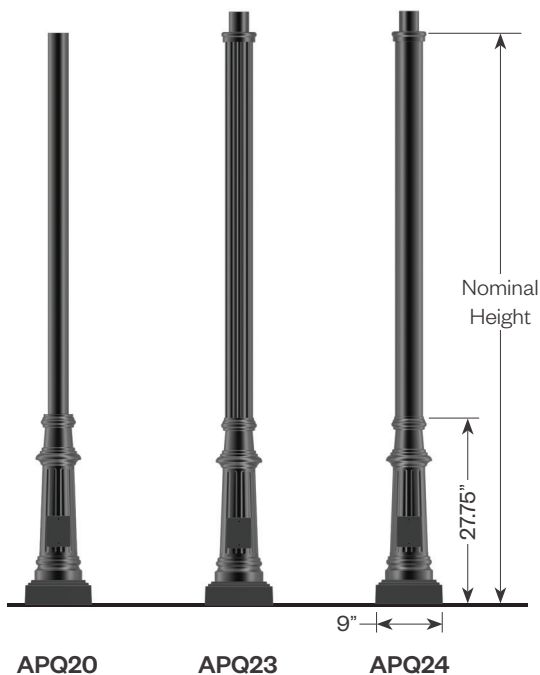


Features

- Strong, lightweight and easy to install
- Extruded aluminum shaft welded to a decorative cast aluminum base
- 3" O.D. x 3" tall tenon included for luminaire mounting
- Access door for wiring secured with stainless steel screws
- Ground lug included inside base
- Durable powder coat finish

PROJECT:

TYPE:



Materials:

- Base - Cast aluminum (A356)
- Shaft - Extruded Aluminum (6061-T6)
- Tenon - Cast Aluminum (A356)
- Anchor Bolts - Hot dipped galvanized
- Hardware - Stainless Steel

Finish:

The post will be finished with an electrostatically applied polyester powder coat suitable for exterior use. The poles are pretreated using industry standard environmentally responsible processes for a long lasting and durable finish.

Anchorage:

- 1/2" x 18" x 3" Hot-dipped galvanized steel L-type anchor bolts (ordered separately)

See pg 3 for more details.



PROJECT:

TYPE:

Pole Ordering Information



- 1 Model**
APQ20 - 3" O.D. smooth pole, 0.125 wall
APQ23 - 4" O.D. fluted pole, 0.125 wall
APQ24 - 4" O.D. smooth pole, 0.125 wall
- 2 Pole Height (nominal-actual)**
08 - 8'-3"
10 - 10'-3"
12 - 12'-3"
14 - 14'-3" (not available for APQ20 model)

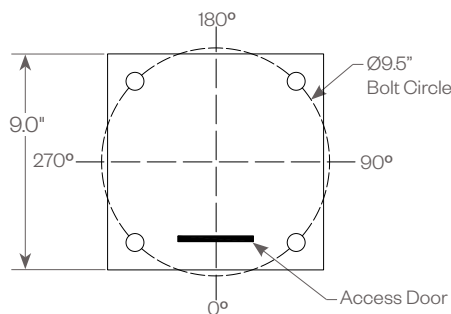
- 3 Finish**
BLK - satin black
CLB - classic bronze
GRN - green
TBK - textured black
- 4 Option/Accessories**
 (3" OD x 3" tall tenon is standard)
LT - less tenon
GFCI-TOP - ground fault circuit protected outlet, placed 6" from the top of pole
GFCI-BTM - ground fault circuit protected outlet, placed 6" above the base

Anchor Bolt Ordering Information (Ordered separately, can be pre-shipped upon request)



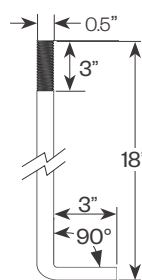
- 1 Model**
APQ20-555-0004 - 1/2" x 18" anchor bolts

9.5" Bolt Circle



Anchor bolts and templates can be requested prior to product shipment.

Anchor Details



- (4) 1/2" Galvanized Steel L-Type Anchor Bolts
- (8) 1/2" Galvanized Steel Hex Nuts
- (8) Galvanized Steel Flat Washers

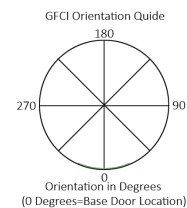
Anchor bolts are accessed by lifting the base cover



Accessories

GFCI - provision for Ground Fault Circuit Interrupter outlet with NEC required wet location while in use type cover (WIUC). The cover is made of die-cast aluminum and will be painted to match.

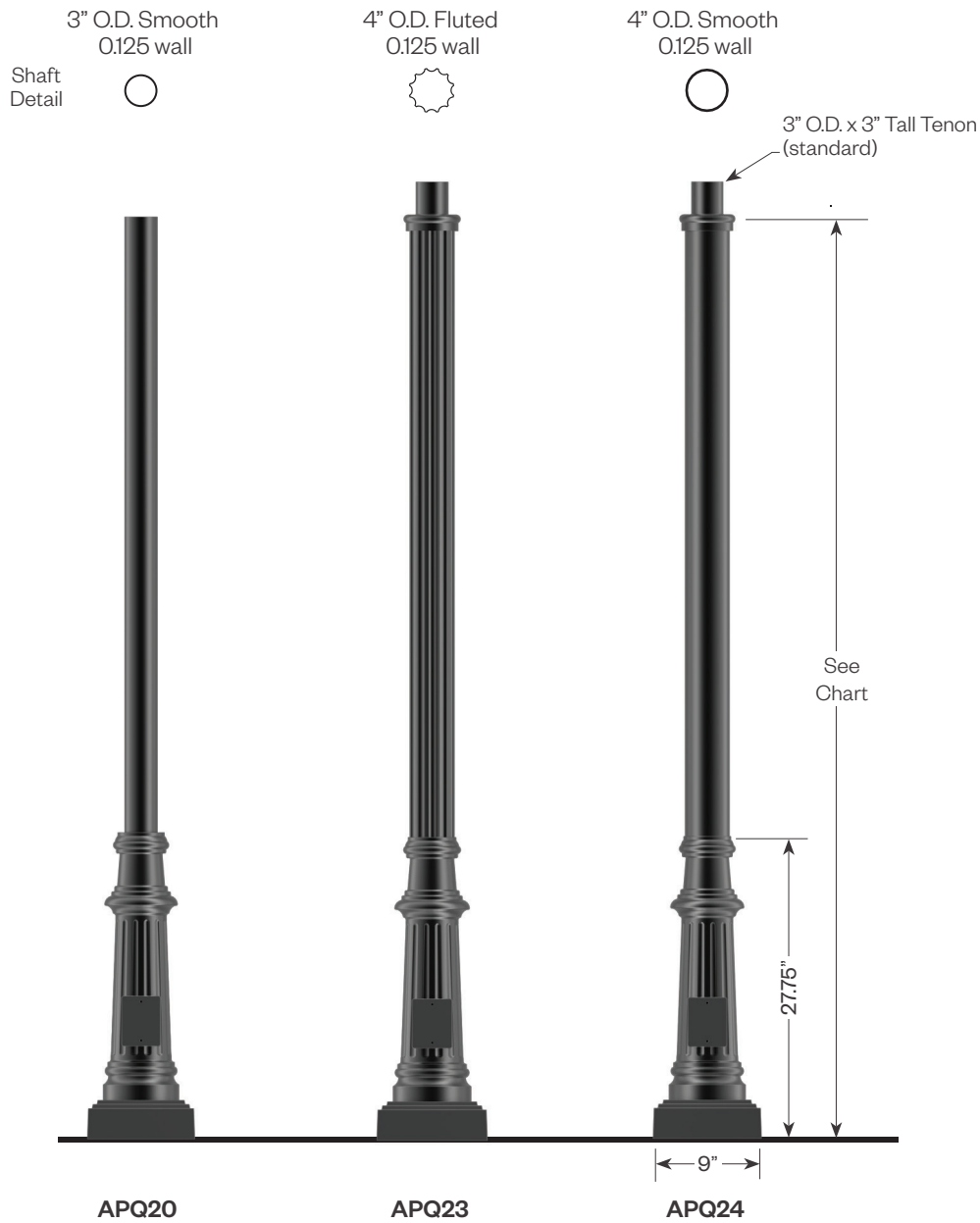
GFCI ORIENTATION is stated as degrees from access door and GFCI Placement on shaft must be specified in ordering guide.
 TOP - placement will be 6" from top of pole.
 BTM - placement will be 6" above the base.



APQ20 Series

PROJECT:

TYPE:



APQ20-xx	APQ23-xx	APQ24-xx	Actual Height
APQ20-08	APQ23-08	APQ24-08	8'-3"
APQ20-10	APQ23-10	APQ24-10	10'-3"
APQ20-12	APQ23-12	APQ24-12	12'-3"
-	APQ23-14	APQ24-14	14'-3"