

# APQ170 Series



## Features

- Strong, lightweight and easy to install
- Extruded aluminum shaft welded to a decorative cast aluminum base
- 3" O.D. x 3" tall tenon included for luminaire mounting
- Access door for wiring secured with stainless steel screws
- Ground lug included inside base
- Durable powder coat finish

## PROJECT:

## TYPE:



APQ173 APQ174 APQ175 APQ176

## Materials:

- Base - Cast aluminum (A356)
- Shaft - Extruded Aluminum (6061-T6)
- Tenon - Cast Aluminum (A356)
- Anchor Bolts - Hot dipped galvanized
- Hardware - Stainless Steel

## Finish:

The post will be finished with an electrostatically applied polyester powder coat suitable for exterior use. The poles are pretreated using industry standard environmentally responsible processes for a long lasting and durable finish.

## Anchorage:

- 1/2" x 18" x 3" Hot-dipped galvanized steel L-type anchor bolts (ordered separately)



See pg 3 for more details.

**PROJECT:**

**TYPE:**

**Pole Ordering Information**



- 1 Model**  
**APQ173** - 4" O.D. fluted pole, 0.125 wall  
**APQ174** - 4" O.D. smooth pole, 0.125 wall  
**APQ175** - 5" O.D. fluted pole, 0.156 wall  
**APQ176** - 5" O.D. smooth pole, 0.125 wall

- 3 Finish**  
**BLK** - satin black  
**CLB** - classic bronze  
**GRN** - green  
**TBK** - textured black

- 2 Pole Height (nominal-actual)**  
**08** - 7'-7"  
**10** - 9'-7"  
**12** - 11'-7"  
**14** - 13'-7"

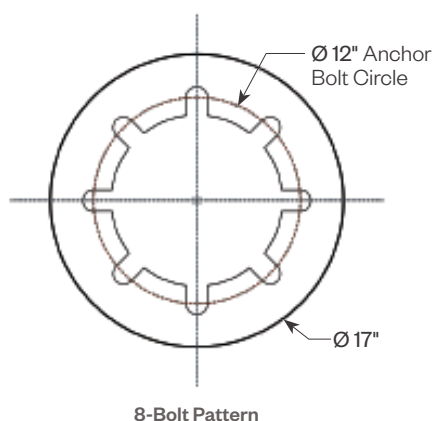
- 4 Option**  
 (3" OD x 3" tall tenon is standard)  
**LT** - less tenon  
**GFCI-TOP** - ground fault circuit protected outlet, placed 6" from the top of pole  
**GFCI-BTM** - ground fault circuit protected outlet, placed 6" above the base

**Anchor Bolt Ordering Information** (Ordered separately, can be pre-shipped upon request)

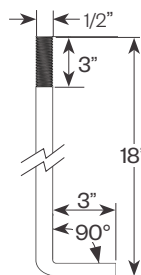


- 1 Model**  
**APQ170-555-0004** - 1/2" x 18" anchor bolts

**12" Bolt Circle**



**Anchor Details**



- (4) 1/2" Galvanized Steel L-Type Anchor Bolts
- (8) 1/2" Galvanized Steel Hex Nuts
- (8) Galvanized Steel Flat Washers

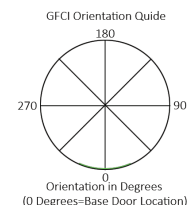
Anchor bolts are accessed by removing the base door



**Accessories**

**GFCI** - provision for Ground Fault Circuit Interrupter outlet with NEC required wet location while in use type cover (WIUC). The cover is made of die-cast aluminum and will be painted to match.

**GFCI ORIENTATION** is stated as degrees from access door and GFCI Placement on shaft must be specified in ordering guide.  
 TOP - placement will be 6" from top of pole.  
 BTM - placement will be 6" above the base.



# APQ170 Series

PROJECT:

TYPE:



APQ173-xx	APQ174-xx	APQ175-xx	APQ176-xx	Actual Height
APQ173-08	APQ174-08	APQ175-08	APQ176-10	7'-7"
APQ173-10	APQ174-10	APQ175-10	APQ176-10	9'-7"
APQ173-12	APQ174-12	APQ175-12	APQ176-12	11'-7"
APQ173-14	APQ174-14	APQ175-14	APQ176-14	13'-7"