

APQ120 Series



Features

- Strong, lightweight and easy to install
- Extruded aluminum shaft welded to a decorative cast aluminum base
- 3" O.D. x 3" tall tenon included for luminaire mounting
- Access door for wiring secured with stainless steel screws
- Ground lug included inside base
- Durable powder coat finish

PROJECT:

TYPE:



Materials:

- Base - Cast aluminum (A356)
- Shaft - Extruded Aluminum (6061-T6)
- Tenon - Cast Aluminum (A356)
- Anchor Bolts - Hot dipped galvanized
- Hardware - Stainless Steel

Finish:

The post will be finished with an electrostatically applied polyester powder coat suitable for exterior use. The poles are pretreated using industry standard environmentally responsible processes for a long lasting and durable finish.

Anchorage:

- 1/2" x 18" x 3" Hot-dipped galvanized steel L-type anchor bolts (ordered separately)



See pg 3 for more details.

PROJECT:

TYPE:

Pole Ordering Information



- 1 Model**
APQ123 - 4" O.D. fluted pole, 0.125 wall
APQ124 - 4" O.D. smooth pole, 0.125 wall

- 2 Pole Height** (nominal-actual)
08 - 8'-2"
10 - 10'-2"
12 - 12'-2"
14 - 14'-2"

- 3 Finish**
BLK - satin black
CLB - classic bronze
GRN - green
TBK - textured black

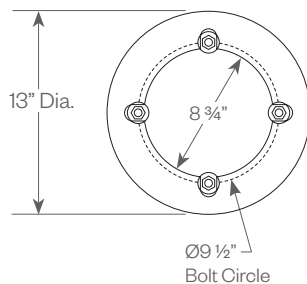
- 4 Option**
 (3" OD x 3" tall tenon is standard)
LT - less tenon
GFCI-TOP - ground fault circuit protected outlet, placed 6" from the top of pole
GFCI-BTM - ground fault circuit protected outlet, placed 6" above the base

Anchor Bolt Ordering Information (Ordered separately, can be pre-shipped upon request)



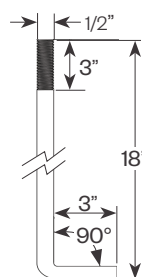
- 1 Model**
APQ120-555-0004 - 1/2" x 18" anchor bolts

9 1/2" Bolt Circle



Anchor bolts and templates can be requested prior to product shipment.

Anchor Details



- (4) 1/2" Galvanized Steel L-Type Anchor Bolts
- (8) 1/2" Galvanized Steel Hex Nuts
- (8) Galvanized Steel Flat Washers

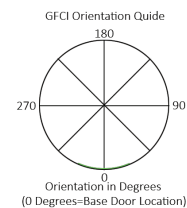
Anchor bolts are accessed by removing the base door



Accessories

GFCI - provision for Ground Fault Circuit Interrupter outlet with NEC required wet location while in use type cover (WIUC). The cover is made of die-cast aluminum and will be painted to match.

GFCI ORIENTATION is stated as degrees from access door and GFCI Placement on shaft must be specified in ordering guide.
 TOP - placement will be 6" from top of pole.
 BOT - placement will be 6" above the base.



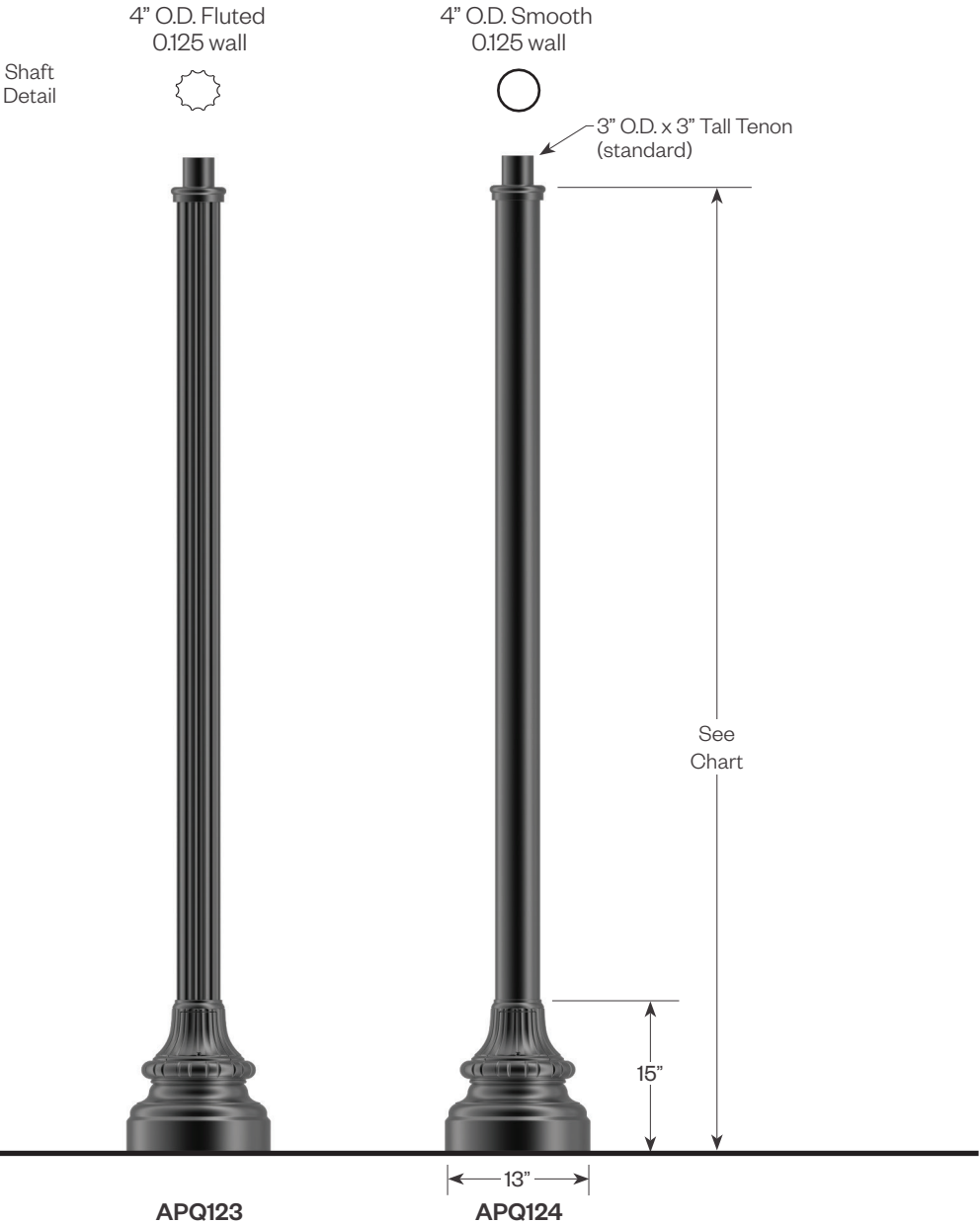
APQ120 Series



APQ 120 Series

PROJECT:

TYPE:



APQ123-xx	APQ124-xx	Actual Height
APQ123-08	APQ124-08	8'-2"
APQ123-10	APQ124-10	10'-2"
APQ123-12	APQ124-12	12'-2"
APQ123-14	APQ124-14	14'-2"