

Columbia Series



Features

Aluminum light poles with a decorative base, featuring a choice of extruded shafts. Accepts a wide variety of Amerlux post top luminaires.

Choice of extruded shafts (0.125 wall)

- 4" to 3" OD smooth tapered
- 4" OD smooth round

Extruded shaft is circumferentially welded to the base

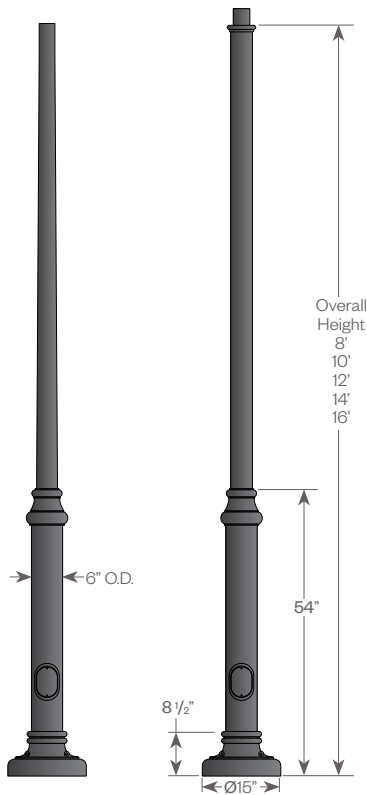
Access door for wiring is secured with stainless steel screws

Ground lug provided inside base

Aluminum base is a contemporary combination of cast and extruded components. 15" OD two piece cast cover conceals anchor bolts.

PROJECT:

TYPE:



AP7202.XX

AP7204.XX

See pgs 3-4 for more details.

Capable of supporting multiple light brackets

Materials:

Base - Cast aluminum (356-T6)

Shaft - Extruded Aluminum (6063-T6)

- Tapered Aluminum (6063-T6)

Anchor Bolts - Hot dipped galvanized steel, ordered separately

Finish:

Premium quality thermoset polyester powdercoat for a durable finish.

Accessories:

- Single or double sided field rotatable banner arms
- Flag pole holder
- GFCI - covered ground fault circuit protected duplex outlet
- Direct burial extension



PROJECT:

TYPE:

Pole Ordering Information



- 1** Model
AP7202 - 4" to 3" O.D. pole, tapered 0.125 wall
AP7204 - 4" O.D. smooth pole, 0.125 wall

- 2** Pole Height
08 - 8'-0"
10 - 10'-0"
12 - 12'-0"
14 - 14'-0"
16 - 16'-0"

- 3** Finish
BLK - satin black
CLB - classic bronze
GBZ - gloss textured bronze
GRN - green
GTB - gloss textured black
TBK - textured black
TGR - gloss textured green
CSTM - custom, consult factory

- 4** Options/Accessories
GFCI-TOP - ground fault circuit protected outlet, placed 6" from the top of pole
GFCI-BTM - ground fault circuit protected outlet, placed 6" above the decorative base at the bottom of the pole
LT - less tenon
DB - direct burial extension

Anchor Bolt Ordering Information (Ordered separately, can be pre-shipped upon request)



- 1** Model
AP7200-555-0018 - 3/4" x 17" anchor bolts

Accessory Ordering Information (Ordered separately)

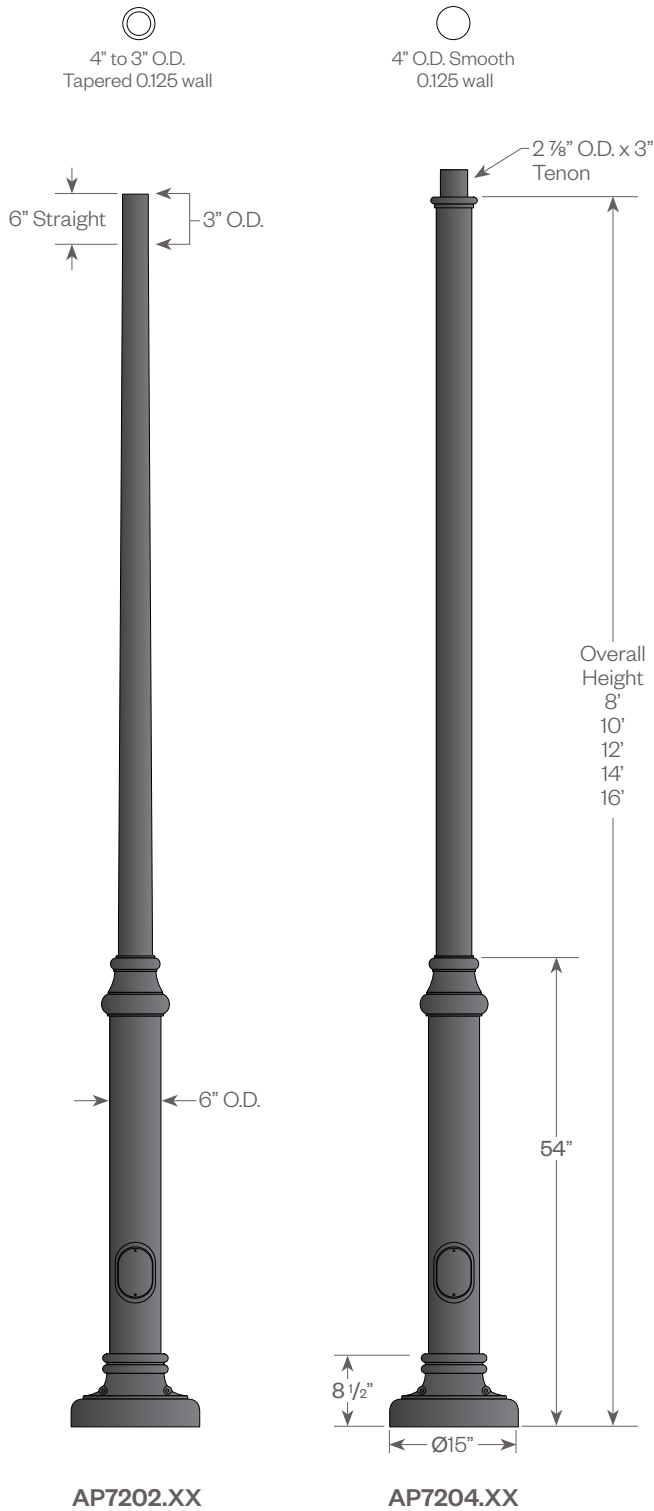


- 1** Model (all accessories below are for non-tapered shafts only)
BA18-FRC4 - 18" banner arm, 4" OD shaft
BA24-FRC4 - 24" banner arm, 4" OD shaft
2BA18-FRC4-180 - double sided 18" banner arms, 4" OD shaft
2BA24-FRC4-180 - double sided 24" banner arms, 4" OD shaft
FPH-4 - flag pole holder for 4" non-tapered poles

Columbia Series

PROJECT:

TYPE:



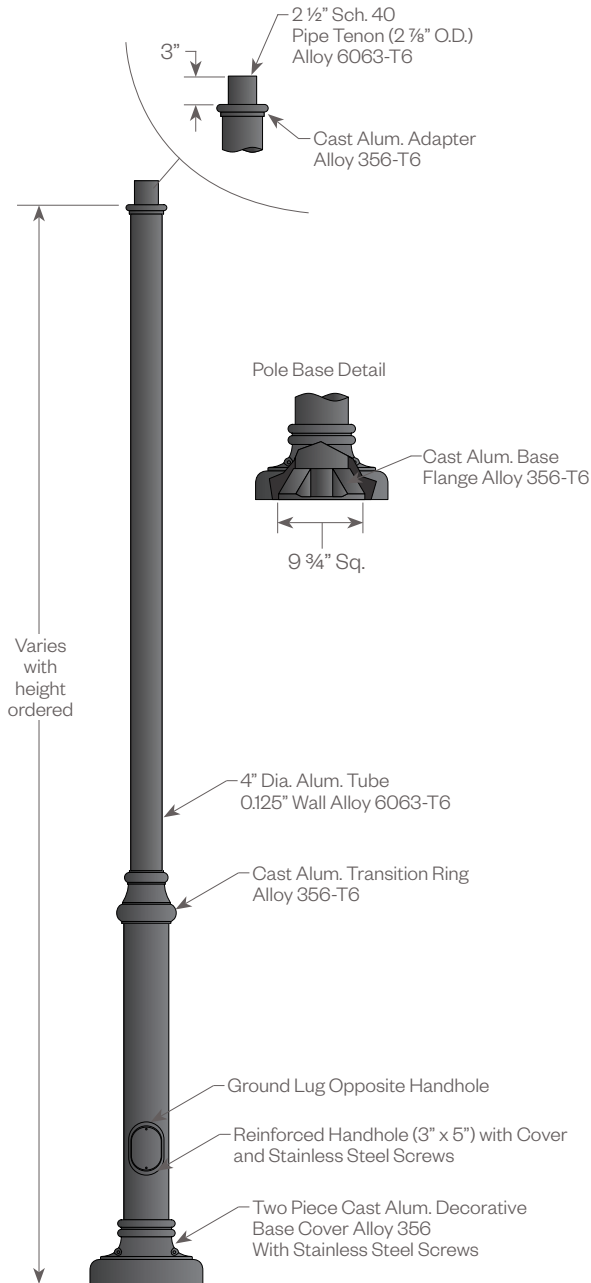
Shaft
Detail

AP7202.XX

AP7204.XX

PROJECT:

TYPE:



Finish

The post will be finished with an electrostatically applied thermoset polyester powder coat. Prior to finishing, the parts are thoroughly cleaned. Our powder coat finish is durable, long lasting, attractive and scratch resistant as well as environmentally friendly. We offer 7 stock finishes or hundreds of special order colors including custom matching for existing projects (additional charges apply).

- BLK** - Satin Black
- CLB** - Classic Bronze
- GBZ** - Gloss Textured Bronze
- GRN** - Green

- GTB** - Gloss Textured Black
- TBK** - Textured Black
- TGR** - Gloss Textured Green

Accessories

Banner Arms

Single or double sided field rotatable banner arms.

BA18 (18") or **BA24** (24") banner arms

FRC4 (4" OD shaft)

Add a (2) for a double arm. Example: **2BA18-FRC4-180**

See ordering guide for configurations



FPH-4

Extruded aluminum holder for 1" OD flag poles.

Available for 4" OD non-tapered pole.

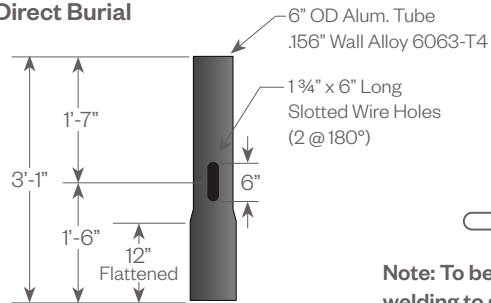


GFCI - Top/Bottom

Covered ground fault circuit protected duplex outlet.

Can be placed near top of pole or above the decorative base at the bottom of the pole. Wet while in use rated.

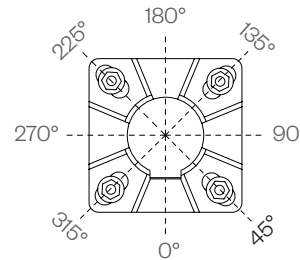
Direct Burial



Note: To be flattened after welding to shaft assembly.

GFCI Orientation Guide

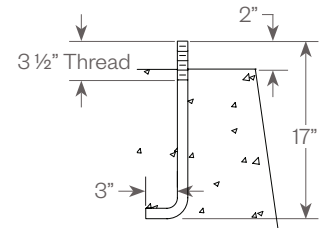
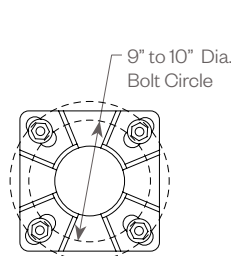
As viewed from above



Note: GFCI placed at 0° unless otherwise specified.

Note: Orientation of additional accessories must be specified when ordering.

Anchor Details



- (4) 3/4"-10NC Galv. Stl. Anchor Bolts, AASHTO M314-90 Grade 55, Galv. Per ASTM A153.
- (4) 3/4"-10NC Galv. Stl. Hex. Nuts
- (4) 3/4" Galv. Stl. Lockwashers
- (4) 3/4" Galv. Stl. Flatwashers

Anchor bolts and templates can be requested prior to product shipment.