

ADP-381 Series



Features

Aluminum light poles with a decorative base, featuring a choice of extruded shafts. Accepts a wide variety of Amerlux post top luminaires.

Specifications

- 4" shafts - 8' to 14' standard heights
- Straight, smooth or fluted poles

Choice of extruded shafts

- 4" OD fluted (12 flutes), 0.125 wall
- 4" OD smooth round, 0.125 wall

Extruded shaft is circumferentially welded to the base

Access door for anchor bolts and wiring is secured with stainless steel screws

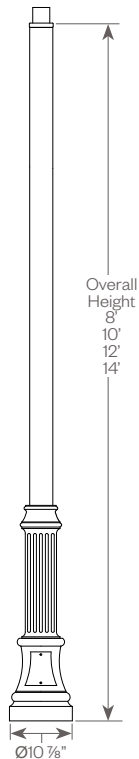
Ground lug provided inside base

PROJECT:

TYPE:



Fluted Shaft



Smooth Shaft

See pgs 3-4 for more details.

Materials:

Base - Cast aluminum (356-T6)

Shaft - Extruded Aluminum (6063-T6)

Anchor Bolts - Hot dipped galvanized steel, ordered separately

Finish:

Premium quality thermoset polyester powdercoat for a durable finish.

Accessories:

- Single or double sided field rotatable banner arms
- Flag pole holder
- GFCI - covered ground fault circuit protected duplex outlet



ADP-381 Series



PROJECT:

TYPE:

Pole Ordering Information

ADP-381	4				
1	2	3	4	5	6
1 <u>Model</u> ADP-381				5 <u>Finish</u> BLK - satin black CLB - classic bronze GBZ - gloss textured bronze GRN - green GTB - gloss textured black TBK - textured black TGR - gloss textured green CSTM - custom, consult factory	
2 <u>Diameter</u> 4 - 4"					6 <u>Options/Accessories</u> GFCI-TOP - ground fault circuit protected outlet, placed 6" from the top of pole GFCI-BTM - ground fault circuit protected outlet, placed 6" above the decorative base at the bottom of the pole LT - less tenon
3 <u>Pole Height</u> 08 - 8'-0" 10 - 10'-0" 12 - 12'-0" 14 - 14'-0"					
4 <u>Pole Type</u> S - smooth F - fluted					

Anchor Bolt Ordering Information (Ordered separately, can be pre-shipped upon request)

1
1 <u>Model</u> ADP-381-555-0018 - 3/4" x 17" anchor bolts

Accessory Ordering Information (Ordered separately)

1
1 <u>Model</u> (all accessories below are for non-tapered shafts only) BA18-FRC4 - 18" banner arm, 4" OD shaft BA24-FRC4 - 24" banner arm, 4" OD shaft 2BA18-FRC4-180 - double sided 18" banner arms, 4" OD shaft 2BA24-FRC4-180 - double sided 24" banner arms, 4" OD shaft FPH-4 - flag pole holder for 4" non-tapered poles

ADP-381 Series



ADP-381 Series

PROJECT:

TYPE:



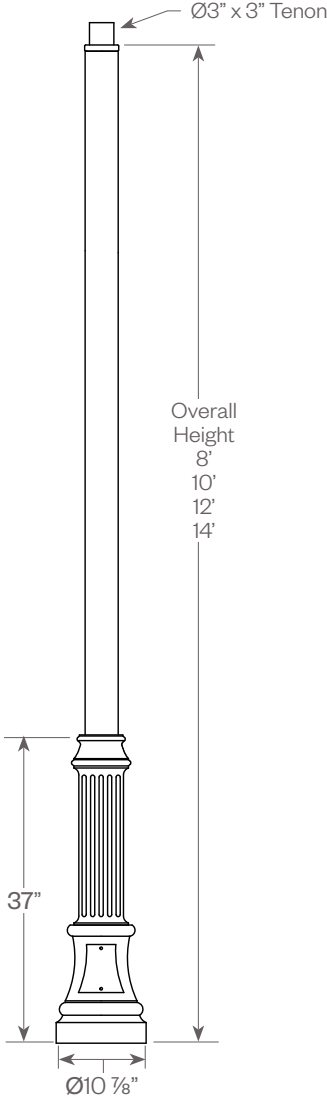
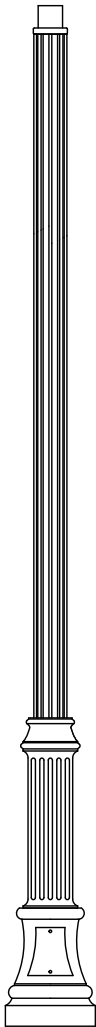
4" O.D. Fluted
0.125 wall



4" O.D. Smooth
0.125 wall

Fluted Shaft

Smooth Shaft



Overall Height
8'
10'
12'
14'

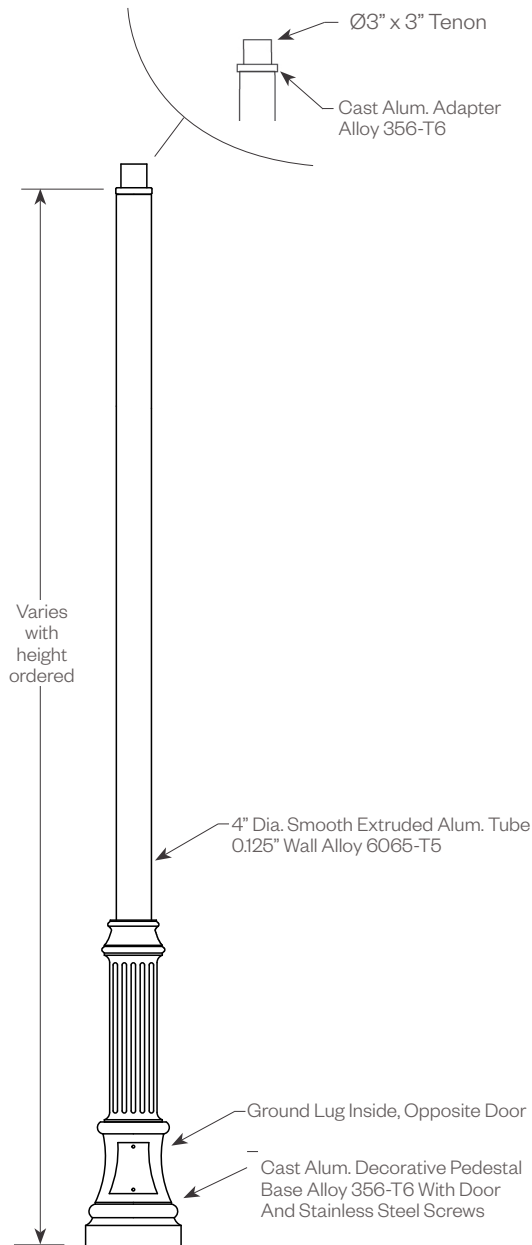
37"

Ø10 7/8"

ADP-381 Series

PROJECT:

TYPE:



Finish

The post will be finished with an electrostatically applied thermoset polyester powder coat. Prior to finishing, the parts are thoroughly cleaned. Our powder coat finish is durable, long lasting, attractive and scratch resistant as well as environmentally friendly. We offer 7 stock finishes or hundreds of special order colors including custom matching for existing projects (additional charges apply).

BLK - Satin Black
CLB - Classic Bronze
GBZ - Gloss Textured Bronze
GRN - Green

GTB - Gloss Textured Black
TBK - Textured Black
TGR - Gloss Textured Green

Accessories

Banner Arms

Single or double sided field rotatable banner arms.

BA18 (18") or **BA24** (24") banner arms

FRC4 (4"OD shaft)

Add a (2) for a double arm. Example: **2BA18-FRC4-180**

See ordering guide for configurations



FPH-4

Extruded aluminum holder for 1" OD flag poles.

Available for 4" OD non-tapered pole.



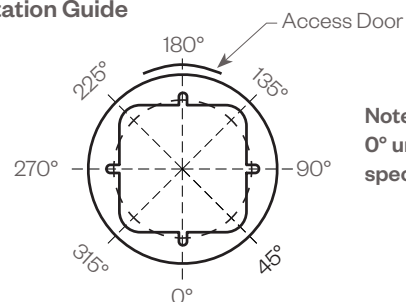
GFCI - Top/Bottom

Covered ground fault circuit protected duplex outlet.

Can be placed near top of pole or above the decorative base at the bottom of the pole. Wet while in use rated.

GFCI Orientation Guide

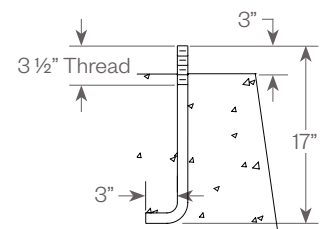
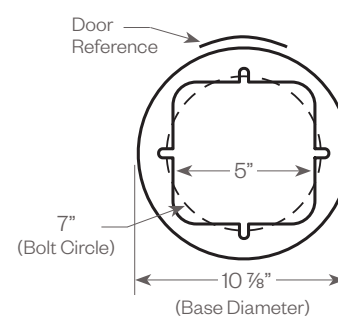
As viewed from above



Note: GFCI placed at 0° unless otherwise specified.

Note: Orientation of additional accessories must be specified when ordering.

Anchor Details



(4) 3/4"-10NC Galv. Stl. Anchor Bolts, AASHTO M314-90 Grade 55, Galv. Per ASTM A153.

(4) 3/4"-10NC Galv. Stl. Hex. Nuts

(4) 3/4" Galv. Stl. Lockwashers

(4) 3/4" Galv. Stl. Flatwashers

Anchor bolts and templates can be requested prior to product shipment.