

Rook X

Wall Mount Accent



RKX-W-AR
(Shown with 90° coupling)



RKX-W-AS

Features

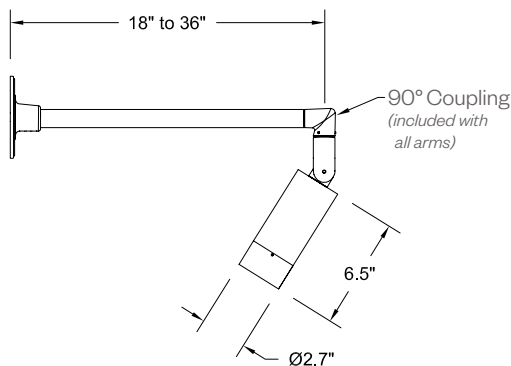
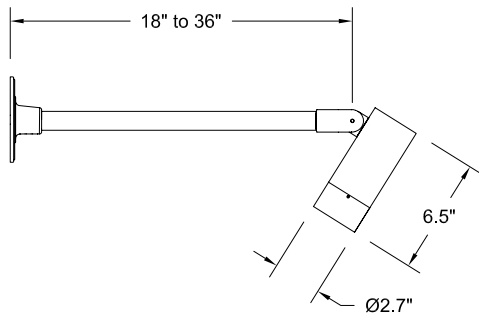
The Amerlux Rook X wall mount accent features a choice of arm lengths combined with a precision engineered, sealed luminaire to provide a small scale LED solution for sign or facade lighting. Offered in a choice of beam spreads, finishes, and color temperatures, the fixture also has available several shielding options for glare control.

Product Overview

Type:	Exterior Wall-Mounted Accent
Wattage:	12W
Color Temp:	2200K*, 2700K, 3000K, 3500K, 4000K (*90+CRI only)
CRI:	83 typ. or 90+ typ.
Dimming:	Integrated driver with 3 dimming protocols is standard (TRIAC & ELV or 0-10V), 120-277V
Operating Temp:	-40° to +40° C

PROJECT:

TYPE:



Application:

Exterior wall-mounted accent and sign lighting.

Construction:

- Machined aluminum housing and die-cast knuckle assembly
- Arm includes a die-cast back plate and Schedule 40 aluminum tube
- IP66 sealed optical chamber and integral driver chamber
- 180°+ adjustability in the knuckle
- Infinitely adjustable within the vertical aiming range using tapered locking mechanism.

Optics:

- 17°, 22°, 28°, 45°, 60°, 60x20, 90x60
- 90x60 beam spreads are available with secondary shaping lens

Electrical:

- Integral tri-dim driver
- Input voltage 120V-277V autosensing
- Drive current 300mA
- Power consumption 12W

Fixture Mounting:

- 1/2" NPT internal threads on the adjustable knuckle
- Supplied with 1/2" NPT to 1/2" NPSM externally threaded stainless steel nipple for mounting to Schedule 40 extension

Wall Mounting:

- Die-cast wall plate attaches to standard 4-O wall box with (2) stainless machine screws.
- Arm attaches to wall plate with (2) set screws to allow for rotation of the fixture

Optical Accessories:

- Hexcell Louver (HEX)

Requires AL (Accessory mount lens):

- Full Glare Shield (FGS)
- Half Glare Shield (HGS)
- Visor Shield (VS)

Finish:

Premium quality thermoset polyester powdercoat for a durable finish.

ETL listed, suitable for wet locations.



Rook X

Wall Mount Accent



PROJECT:

TYPE:

Wall Mount Arm Ordering Information

1	2	3
1 Model	2 Arm Length	3 Finish
RKX-WM	18 24 36	Standard Colors ABZ architectural bronze BLK smooth satin black Premium Colors SDS stardust silver TBK textured black WHT white <i>For custom RAL or custom finishes, consult factory</i>

Luminaire Ordering Information

1	2	3	4	5	6
1 Model	2 Lens Type	3 Beam Spreads	4 Color Temp and CRI		
RKX-W-AR <i>(rear mount knuckle)</i> RKX-W-AS <i>(side mount knuckle)</i>	F flush lens A accessory mount lens	SP spot 15° NF narrow flood 22° MFL medium flood 25° FL flood 31° WF wide flood 45° VWF very wide flood 71° LS6020 linear spread, 60°x20° LS9060 linear spread, 90°x60°	27 2700K, 80+ 30 3000K, 80+ 35 3500K, 80+ 40 4000K, 80+ 229 2200K, 90+ 279 2700K, 90+ 309 3000K, 90+ 359 3500K, 90+ 409 4000K, 90+		
5 Body Finish	6 Optical Accessories				
Standard Colors ABZ architectural bronze BLK smooth satin black Premium Colors SDS stardust silver TBK textured black WHT white <i>For custom RAL or custom finishes, consult factory</i>	HEX hexcell louver Requires Accessory mount lens (A): FGS full glare shield HGS half glare shield VS visor shield				

Rook X

Wall Mount Accent

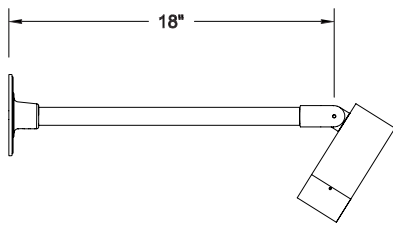
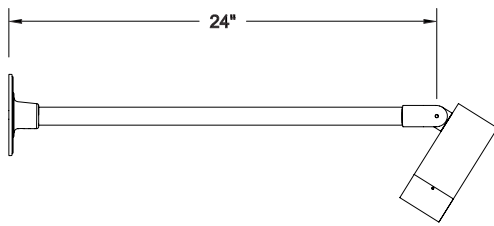
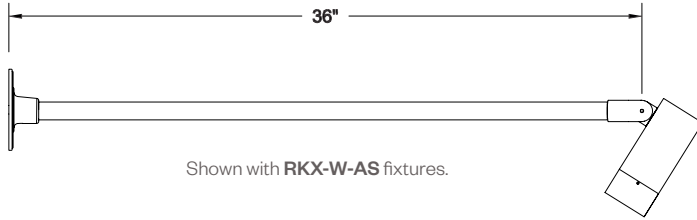


PROJECT:

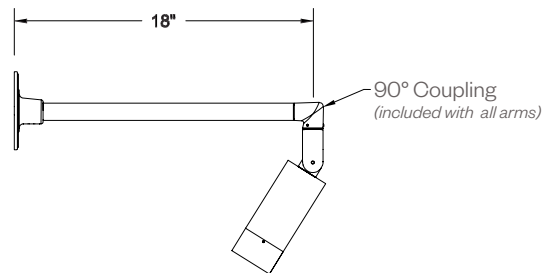
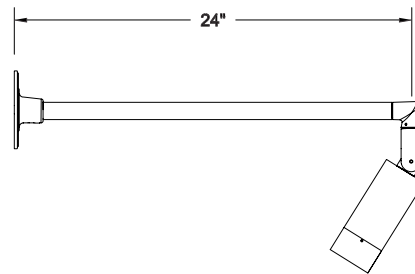
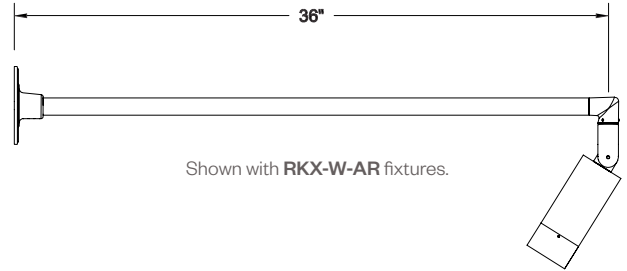
TYPE:

Product Detail

Standard



With 90° Coupling (included with all arms)



Rook X

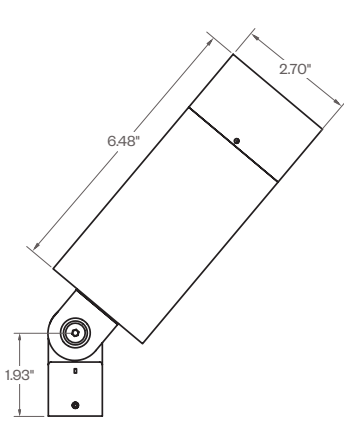
Wall Mount Accent



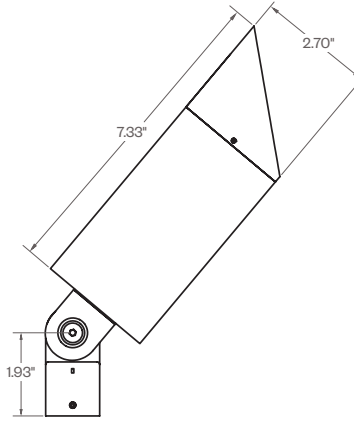
PROJECT:

TYPE:

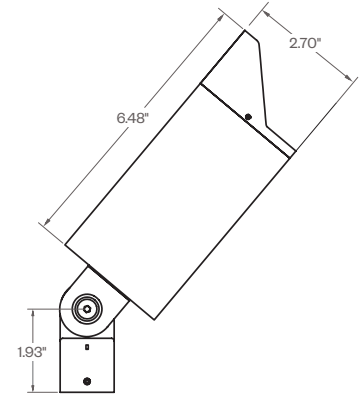
Optical Accessories



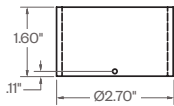
RKX-W-AR shown with FGS



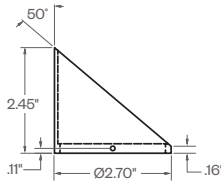
RKX-W-AR shown with HGS



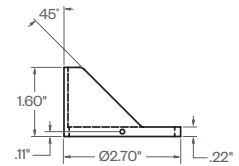
RKX-W-AR shown with VS



Full Glare Shield (FGS)*

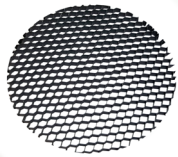


Half Glare Shield (HGS)*



Visor Shield (VS)*

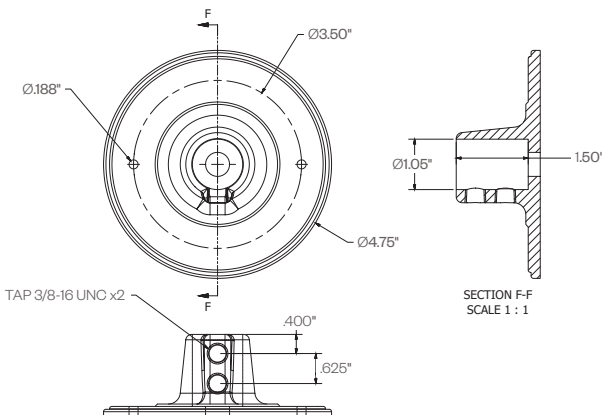
* Requires AL Lens option



Hexcell Louver (HEX)

(Available for either lens option)

Wall Plate



PROJECT:

TYPE:

Lens Types



Flush Lens (F)



Accessory Mount Lens (A)

Performance Chart

Beam Spread	SP	NF	FL	WF	VWF	LS9060	LS6020
Description	Spot	Narrow Flood	Flood	Wide Flood	Very Wide Flood	Asymmetric Linear Spread	Asymmetric Linear Spread
Nominal Deg	17	22	28	45	60	90x60	60x20
Lumens	1093	1026	967	986	944	907	779

Data shown for 3000K, 80 CRI. For other CCT and CRI options see pg 6.

Performance with Optional Shielding

Beam Spread	Accessory	Lumens	Note:
FL	w/o Shielding	962	Performance with shields varies greatly based on beam type. Consult factory for IES files with other beam types.
FL	w/FGS	868	
FL	w/HGS	896	
FL	w/VS	931	

Ordering Information for additional or replacement optical films

Luminaire Optics			Secondary Optic Information (Films)	
Optic	Nominal Distribution	Description	Part # for Secondary Optics	Description
SP	17	Spot	NA	Standard Optic
NF	22	Narrow Flood	665-0050-1	10° Optical Film
FL	28	Flood	665-0047-7	15° Optical Film
WF	45	Wide Flood	665-0052-1	30° Optical Film
VWF	60	Very Wide Flood	665-0054-1	60° Optical Film
LS60x20	60x20	Asymmetric	665-0062-01	60° x 20° Optical Film
LS90x60	90x60	Asymmetric	665-0063-04	90° x 60° Optical Film
Multiple	Multiple	Kit with all options	301-14781	All above included
All	NA	Film Mounting Ring	607-0386	Mounting Ring for Film

Part #'s above are used to order additional or replacement films.

When specifying the original configuration the optic is already included.

Rook X

Wall Mount Accent



PROJECT:

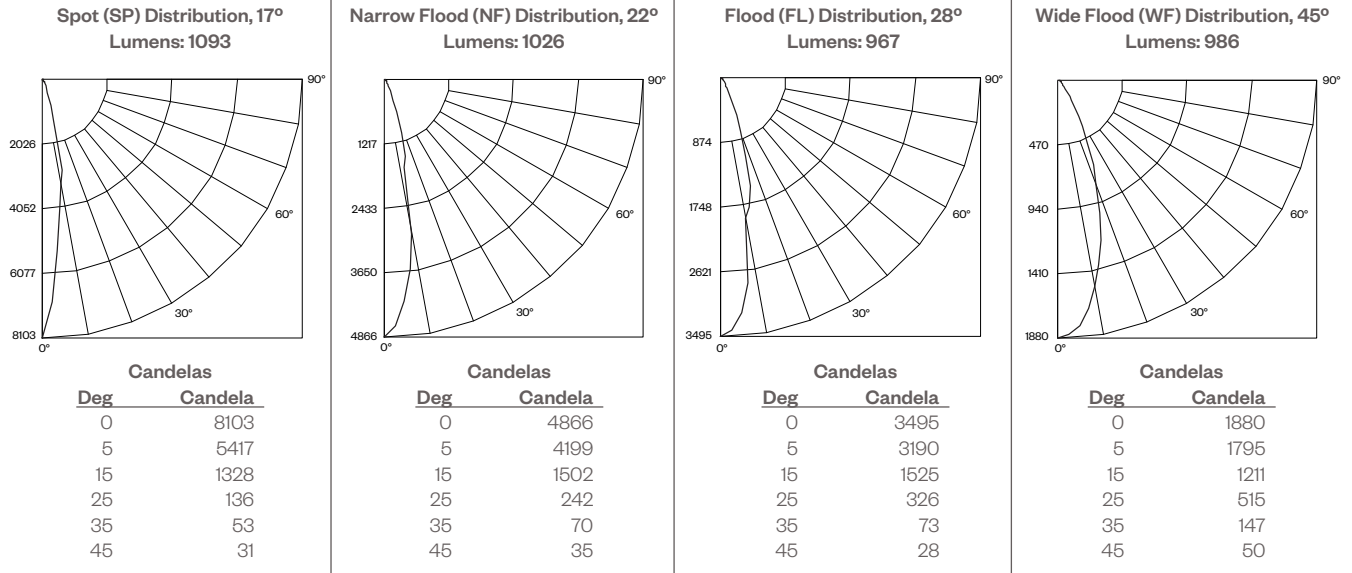
TYPE:

FIXTURE DATA: (Complete photometric data (.ies format) available upon request)

MULTIPLYING FACTORS: (Multiplying Factor is based on 3000K-83 120V IES file on website)

CCT:	2700K-83	3000K-83	3500K-83	4000K-83	2700K-90+	3000K-90+	3500K-90+	4000K-90+
Factor:	0.96	1.0	1.02	1.04	0.80	0.83	0.87	0.90

Flush Lens



Application Data:

Notes and Definitions:

Beam spread is to 50% center beam candlepower (CBCP).

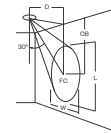
D=Distance to floor or wall.

FC=Footcandles on floor or wall at center beam aiming location.

L=Effective Visual Beam length in feet (50% of maximum footcandle level).

W=Effective Visual Beam width in feet (50% of maximum footcandle level).

CB=Distance across or down to center beam location.



	30° Aiming Angle Vertical Footcandles					60° Aiming Angle Vertical Footcandles				
	D	FC	L	W	CB	D	FC	L	W	CB
Spot	3.0'	116	3.2	1.8	5.0	3.0'	449	1.8	1.2	2.0
	4.0'	66	4.2	2.3	6.0	4.0'	277	1.8	1.4	2.0
	5.0'	43	5.2	2.6	8.0	5.0'	200	2.0	1.7	3.0
	6.0'	29	6.3	3.3	9.0	6.0'	125	2.9	2.2	3.0
Narrow Flood	3.0'	90	3.3	1.9	4.0	3.0'	294	1.8	1.4	2.0
	4.0'	50	4.4	2.5	5.0	4.0'	199	2.1	1.6	2.0
	5.0'	32	5.5	3.0	7.0	5.0'	122	2.6	2.3	3.0
	6.0'	23	6.5	3.8	8.0	6.0'	89	2.8	2.5	3.0
Flood	3.0'	70	3.5	2.2	4.0	3.0'	219	2.1	1.6	2.0
	4.0'	36	5.0	3.0	5.0	4.0'	149	2.3	1.9	2.0
	5.0'	24	5.9	3.5	7.0	5.0'	88	2.9	2.7	3.0
	6.0'	17	7.0	4.4	8.0	6.0'	66	3.3	2.9	3.0
Wide Flood	3.0'	47	3.7	2.8	3.0	3.0'	134	2.4	2.2	1.0
	4.0'	27	4.8	3.6	4.0	4.0'	82	3.0	2.9	2.0
	5.0'	17	6.0	4.4	5.0	5.0'	52	3.7	3.5	2.0
	6.0'	12	7.2	5.4	6.0	6.0'	37	4.4	4.2	3.0