



Exterior 1" Ground Mount Adjustable Cylinder



PROJECT:

TYPE:



### Features

The FINCH family of cylinders with a 1" aperture, features exceptional output, flexibility, and a broad range of configurations to provide discreet quality illumination while integrating into the architecture. It is available in a fixed downlight, adjustable (with 50° tilt), wall mount and even exterior ground mount options. Whether installed on ceilings, walls/mullions or the ground, the FINCH family blends seamlessly into its surroundings.

The ground mount fixture, offers over 900 lumens for use in landscape applications. Fully sealed against the elements, this adjustable fixture includes a weatherproof tethered wiring box with the driver inside to make connections to a 12VAC landscape transformer (by others). This elegant cylinder offers a wide range of field replaceable optics to provide the desired effects. Also available are optional accessories like a hexcell louver or optical films.

### Product Overview

- Type: Exterior Ground Mount, Adjustable
- Wattage: 6W, 8W, 10W
- Color Temp: 2400K, 2700K, 3000K, 3500K, 4000K
- CRI: 80+ & 90+ typ.

### Performance Data

Watts	Lumens	LPW	CCT	CRI
6	643	102.1	3000K	80+
8	787	93.7	3000K	80+
10	927	88.3	3000K	80+

*Data is based on flood optics, 120V, 3000K, 80+ IES files available on website*








**PROJECT:**

**TYPE:**

Fixture Example: FIN9X-GM.8.309.WF.BT.SBX.SOL

**Exterior 1" Ground Mount Adjustable Cylinder Ordering Information**

1	2	3	4	5	6	7
<b>1 Model</b>	<b>2 Wattage</b>	<b>3 Color Temp and CRI</b>	<b>4 Beam Spreads</b>	<b>5 Body Finish</b>	<b>6 Door Style</b>	<b>7 Accessories</b>
<b>FIN3X-GM</b> 3" <b>FIN6X-GM</b> 6" <b>FIN9X-GM</b> 9" <b>FIN12X-GM</b> 12" <b>FIN18X-GM</b> 18"	<b>6</b> 6W (643 lm) <b>8</b> 8W (787 lm) <b>10</b> 10W (927 lm)	<b>30</b> 3000K, 80+ <b>35</b> 3500K, 80+ <b>40</b> 4000K, 80+ <b>249</b> 2400K, 90+ <b>279</b> 2700K, 90+ <b>309</b> 3000K, 90+ <b>359</b> 3500K, 90+ <b>409</b> 4000K, 90+	<b>SP</b> spot 15° <b>FL</b> flood 28° <b>WF</b> wide flood 35° <b>VWF</b> very wide flood 50°	<b>TBK</b> textured black  <b>SLV</b> matte silver  <b>BLK</b> matte black  <b>BRZ</b> bronze  <b>DBZ</b> dark bronze  <i>For custom RAL finish, consult factory</i>	<b>SBX</b> standard bevel exterior <b>VBX</b> visor bevel exterior	<b>SOL</b> solite lens <b>HEX</b> hexocell louver <b>LS</b> linear spread lens

**Specifications**

**Application**

Exterior accent lighting

**Drivers**

12VAC input driver located in remote tethered junction box

**Construction**

Extruded aluminum precision machined body, door & heatsink

**Finish**

Powder coat paint  
*Consult factory for custom finishes*

**Optical**

TIR optics  
 Beam Spreads: Spot 15°, Flood 28°, Wide Flood 35°,  
 Very Wide Flood 50°

**Mounting**

Ground (stake) mount

**LED**

Color Temp: 2400K, 2700K, 3000K, 3500K, 4000K  
 CRI: 80+ & 90+ typ.  
 R9 Values: 11 (83 CRI), 55 (92 CRI)  
 Binning: 3 MacAdam (SDCM)  
 Life: 50,000+ hrs, > 70% of initial lumens at 50,000 hrs

**Certifications**

CSA tested to UL standards  
 Wet location

**Warranty**

5 year limited warranty

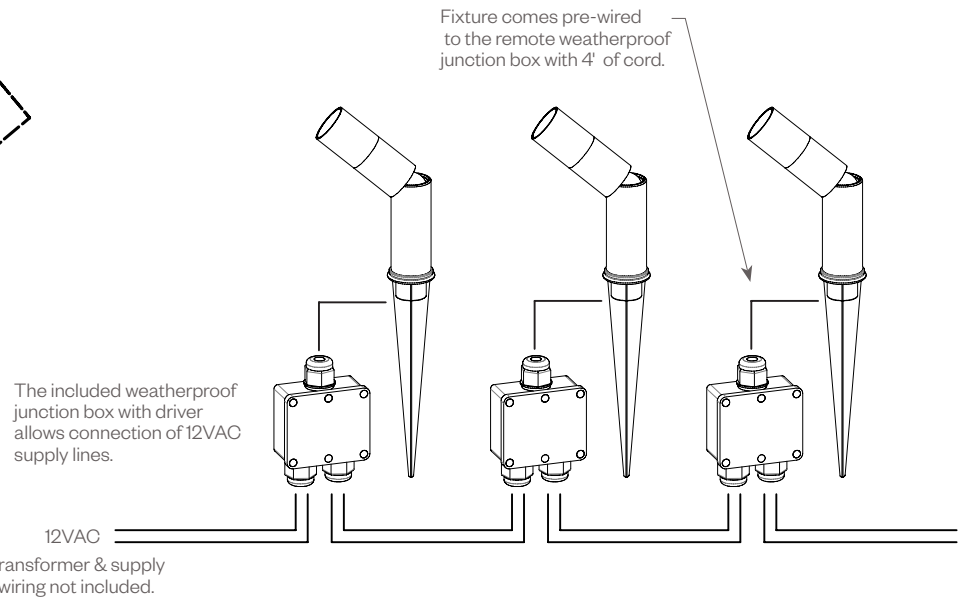
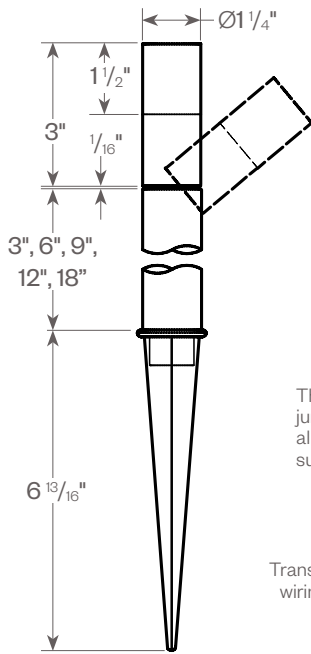
**Electrical**

Wattage: 6W, 8W, 10W

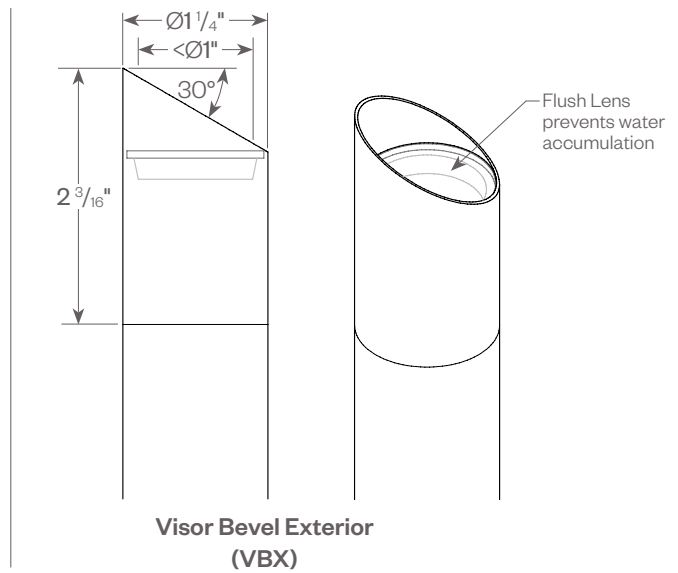
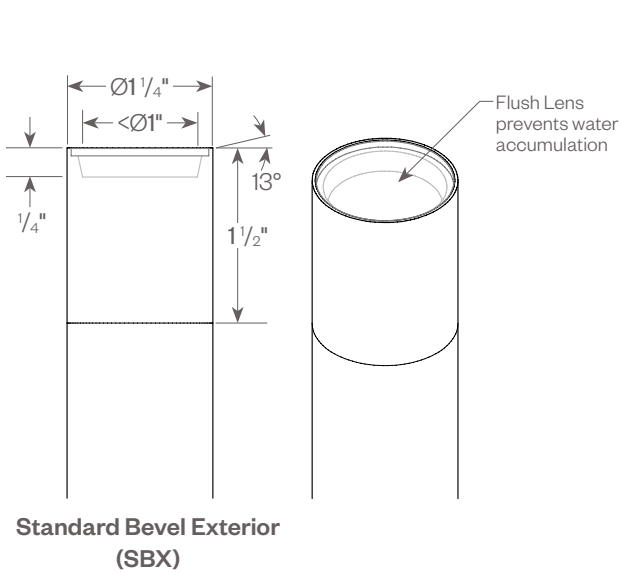
**PROJECT:**

**TYPE:**

**FINxX-GM**



**Door Styles**

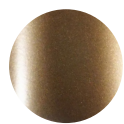


**Finish Options**

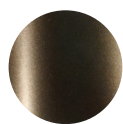
Powder coat paint.  
Consult factory for custom finishes.



Matte Black



Bronze



Dark Bronze



Black Texture

**PROJECT:**

**TYPE:**

**Fixture Data**

**MULTIPLYING FACTORS:**

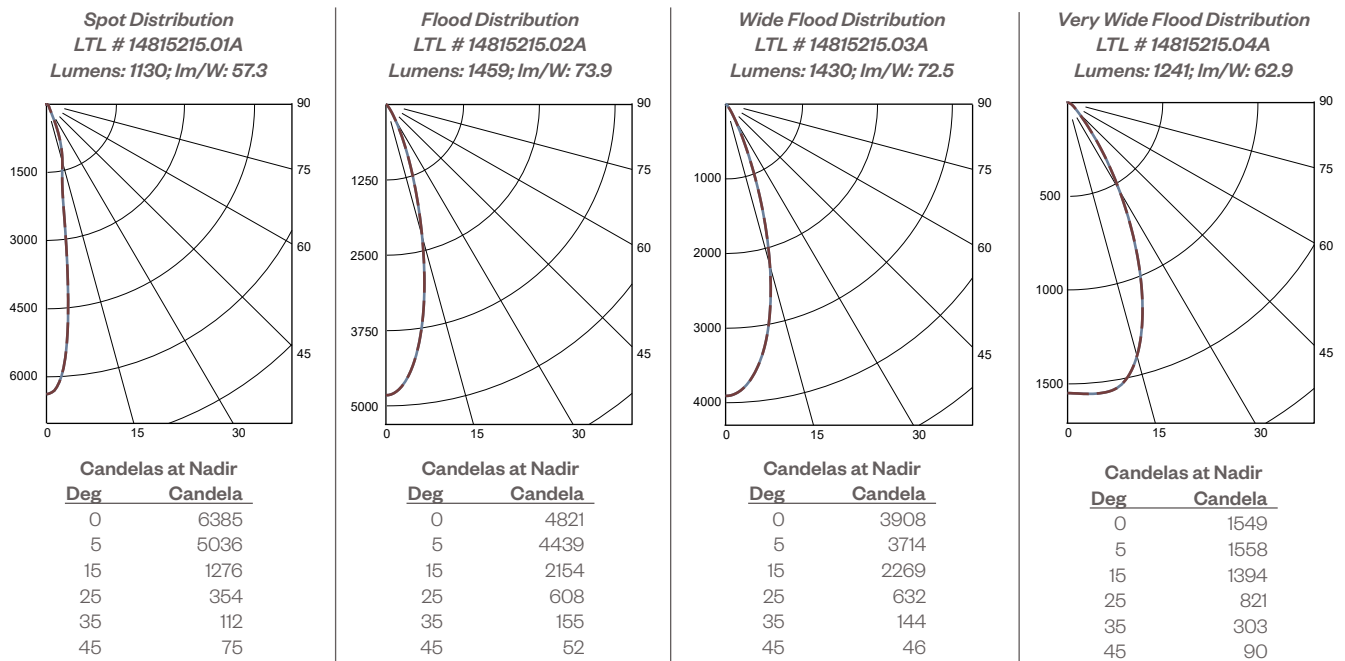
Wattage:	6W	8W	10W	20W
Factor:	0.44	0.54	0.64	1.0

\* Multiplying factors based on IES 20W tested fixture. 20W is not available for this fixture type.

CCT:	3000K, 80+	3500K, 80+	4000K, 80+	2400K, 90+	2700K, 90+	3000K, 90+	3500K, 90+	4000K, 90+
Factor:	1.0	1.04	1.06	0.76	0.83	0.88	0.92	0.93

Multiplying Factor is based on 3000K, 80+ 120V IES file on website.

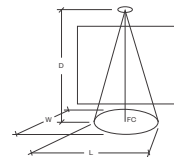
**20W, 3000K, 80+**



**Application Data:**

**Notes and Definitions:**

Beam spread is to 50% center beam candlepower (CBCP).  
**D**=Distance to floor or wall.  
**FC**=Footcandles on floor or wall at center beam aiming location.  
**L**=Effective Visual Beam length in feet (50% of maximum footcandle level).  
**W**=Effective Visual Beam width in feet (50% of maximum footcandle level).  
**CB**=Distance across or down to center beam location.



**Spot**

0° Aiming Angle  
Horizontal  
Footcandles

D	FC	L	W
5.0'	158	1.9	1.9
7.5'	91	2.5	2.5
10.0'	57	3.0	3.0
12.5'	38	3.5	3.5

**Flood**

0° Aiming Angle  
Horizontal  
Footcandles

D	FC	L	W
5.0'	178	2.6	2.6
7.5'	85	3.6	3.6
10.0'	49	4.7	4.7
12.5'	31	5.8	5.8

**Wide Flood**

0° Aiming Angle  
Horizontal  
Footcandles

D	FC	L	W
5.0'	138	3.0	3.0
7.5'	66	4.3	4.3
10.0'	38	5.6	5.6
12.5'	25	7.0	7.0

**Very Wide Flood**

0° Aiming Angle  
Horizontal  
Footcandles

D	FC	L	W
5.0'	61	4.2	4.2
7.5'	27	6.3	6.3
10.0'	16	8.4	8.4
12.5'	10	10.6	10.6