

DC216FC

LED Luminaire



Features

Contemporary Post-Top lighting for exterior retail, commercial and hospitality environments. High performance LED package available in Type II, III, IV or V light distribution patterns.

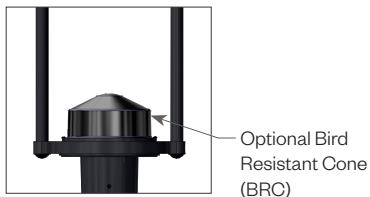
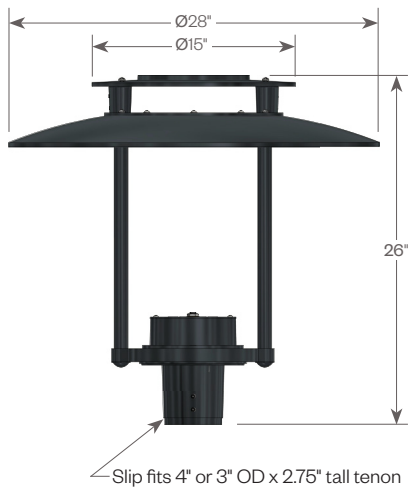
Product Overview

Wattage:	42W, 56W
Color Temp:	3000K, 4000K
Dimming:	0-10V dimming



PROJECT:

TYPE:



Construction:

- Die-Cast aluminum base
- Spun aluminum shade

Optics:

- High Performance optical lenses
- 3000K or 4000K
- Available in Type II, III, IV or V light patterns

Electrical:

Fully potted driver with electronic constant current operation with over voltage and short circuit protection. Automatic voltage sensing for 120V to 277V input. 0-10V dimmable.

Ambient Operating Range:

-40°C to 40°C

Finish:

Durable thermoset polyester powdercoat finish in the following:

- Satin Black (BLK)
- Classic Bronze (CLB)
- Gloss Textured Bronze (GBZ)
- Green (GRN)
- Gloss Textured Black (GTB)
- Textured Black (TBK)
- Gloss Textured Green (TGR)

Mounting:

Slip fits 4" OD x 2.75" tall tenon
Optional 3" OD x 2.75" tall tenon mount available

EPA:

0.86

ETL listed, suitable for wet locations.

DC216FC

LED Luminaire



PROJECT:

TYPE:

Ordering Information

DC216FC

1

2

3

4

5

6

1

Model

DC216FC

DC216FC-3 (use for 3" OD tenon mount)

2

Color Temp

30* - 3000K

40 - 4000K

3

Light Distribution

T2 - Type II

T3 - Type III

T4 - Type IV

T5 - Type V

4

Power Level

530M

700M

5

Finish

BLK - Satin Black

CLB - Classic Bronze

GBZ - Gloss Textured Bronze

GRN - Green

GTB - Gloss Textured Black

TBK - Textured Black

TGR - Gloss Textured Green

CSTM - Custom

6

Options/Accessories

BLS - Backlight Shield (for Type II & Type III distributions)

SSINT - Integrated Wireless Control Node (for operation on the SmartSite control platform)

BRC - Bird Resistant Cone

*** To meet DarkSky International Fixture Seal of Approval 3000K CCT must be chosen. Not approved with 4000K option.**

DC216FC

LED Luminaire



PROJECT:

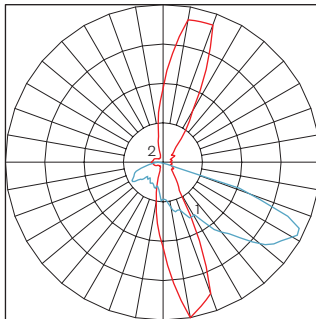
TYPE:

Performance Chart

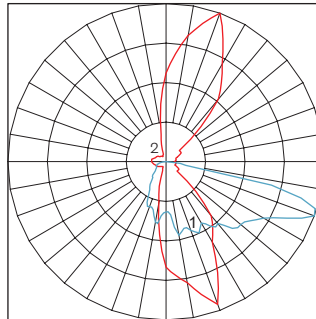
Power Level	System Watts	Light Distribution	CCT	Lumens*	Bug Rating
530M	42W	T2	3,000K	4548	1-0-1
			4,000K	4788	1-0-1
		T3	3,000K	4442	1-0-1
			4,000K	4676	1-0-1
		T4	3,000K	4510	1-0-1
			4,000K	4747	1-0-2
		T5	3,000K	4723	2-0-1
			4,000K	4972	2-0-1
700M	56W	T2	3,000K	6003	1-0-1
			4,000K	6320	2-0-2
		T3	3,000K	5863	2-0-2
			4,000K	6172	2-0-2
		T4	3,000K	5953	1-0-2
			4,000K	6266	1-0-2
		T5	3,000K	6234	3-0-1
			4,000K	6563	3-0-1

* 700M Luminaire lumens are scaled from 530M data.

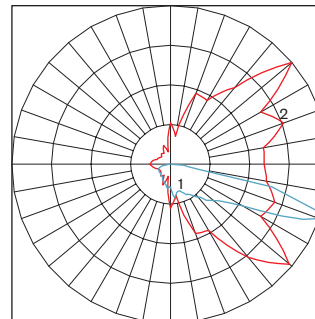
Performance Chart



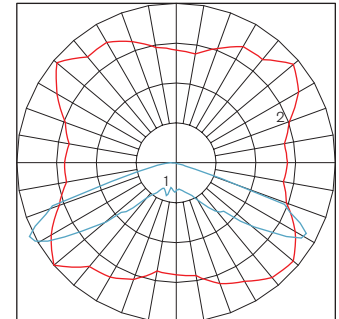
Located At Horizontal Angle = 290, Vertical Angle = 62.5
 #1 - Vertical Plane Through Horizontal Angles (260-100)*
 #2 - Horizontal Cone Through Vertical Angle (62.5)*
 * Through Max. Cd.



Located At Horizontal Angle = 70, Vertical Angle = 70
 #1 - Vertical Plane Through Horizontal Angles (70-250)*
 #2 - Horizontal Cone Through Vertical Angle (70)*
 * Through Max. Cd.



Located At Horizontal Angle = 40, Vertical Angle = 70
 #1 - Vertical Plane Through Horizontal Angles (40-220)*
 #2 - Horizontal Cone Through Vertical Angle (70)*
 * Through Max. Cd.



Located At Horizontal Angle = 220, Vertical Angle = 62.5
 #1 - Vertical Plane Through Horizontal Angles (220-40)*
 #2 - Horizontal Cone Through Vertical Angle (62.5)*
 * Through Max. Cd.

Lumen Maintenance

For 530mA Drive Current

Ambient Temp	50,000 Hours*	70,000 Hours*	90,000 Hours*	100,000 Hours*	Theoretical L70 Hours
25°C	>95.4%	>93.9%	>92.4%	>91.6%	>200,000

* Per IESNA TM-21 data

Lumen maintenance values apply to all output levels and distributions.

