

# DC214FC

## LED Luminaire



PROJECT:

TYPE:

### Features

Contemporary Post-Top lighting for exterior retail, commercial and hospitality environments. High performance LED package available in Type II, III, IV or V light distribution patterns.

### Product Overview

Wattage: 42W, 56W  
Color Temp: 3000K, 4000K  
Dimming: 0-10V dimming  
EPA: 0.77



### Certifications



5 year limited warranty  
AMERLUX LED

POWDER COATED TOUGH



Certain Restrictions Apply for DarkSky International

### Fixture Summary

#### Construction:

- Die-cast aluminum base
- Spun aluminum shade

#### Optics:

- High performance sealed modules with (12) LEDs under each lens
- 3000K or 4000K
- Available in Type II, III, IV or V light patterns

#### Electrical:

- Fully potted driver with electronic constant current operation
- Over voltage and short circuit protection
- Automatic voltage sensing for 120V to 277V input
- 0-10V dimmable

#### Ambient Operating Range:

- -40°C to 40°C

#### Finish:

Durable thermoset polyester powdercoat finish in the following:

- Satin Black
- Classic Bronze
- Gloss Textured Bronze
- Green
- Gloss Textured Black
- Textured Black
- Gloss Textured Green

#### Mounting:

- Slip fits 4" OD x 2.75" tall tenon
- Optional 3" OD x 2.75" tall tenon mount available

ETL listed, suitable for wet locations.

# DC214FC

LED Luminaire



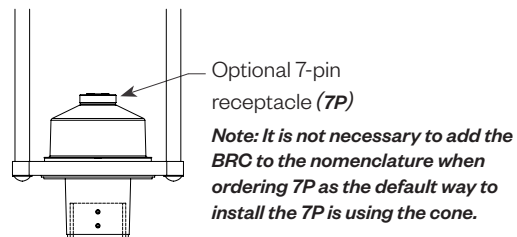
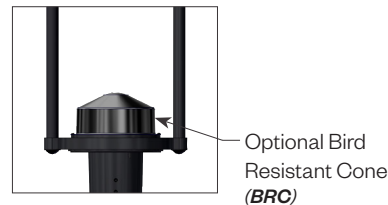
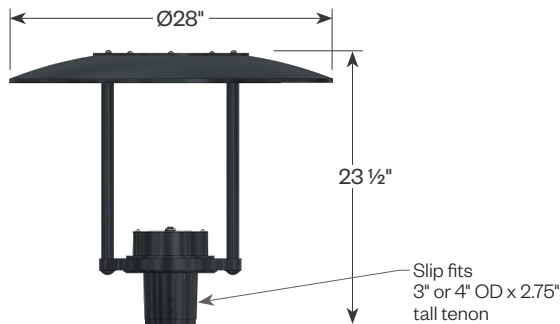
PROJECT:

TYPE:

## Ordering Information

1	2	3	4	5	6	7	8
<b>1 Model</b> DC214FC DC214FC-3 (use for 3" OD tenon mount)	<b>2 Color Temp</b> 30* 3000K 40 4000K <i>* To meet DarkSky International Fixture Seal of Approval 3000K CCT must be chosen. Not approved with 4000K option.</i>	<b>3 Light Distribution</b> T2 Type II T3 Type III T4 Type IV T5 Type V	<b>4 Power Level</b> 530M 700M				
<b>7 Finish</b> BLK satin black CLB classic bronze GBZ gloss textured bronze GRN green GTB gloss textured black TBK textured black TGR gloss textured green CSTM custom	<b>8 Accessories</b> BLS backlight shield (for Type II & Type III distributions) SSINT integrated wireless control node (for operation on the SmartSite control platform) BRC bird resistant cone 7P 7-pin twistlock receptacle SC shorting cap						

## Product Details



# DC214FC

LED Luminaire



<b>PROJECT:</b>	<b>TYPE:</b>
-----------------	--------------

## Performance Data

Power Level	System Watts	Light Distribution	CCT	Lumens*	BUG Rating
530M	42W	T2	3000K	4548	1-0-1
			4000K	4788	1-0-1
		T3	3000K	4442	1-0-1
			4000K	4676	1-0-1
		T4	3000K	4510	1-0-1
			4000K	4747	1-0-2
T5	3000K	4723	2-0-1		
	4000K	4972	2-0-1		
700M	56W	T2	3000K	6003	1-0-1
			4000K	6320	2-0-2
		T3	3000K	5863	2-0-2
			4000K	6172	2-0-2
		T4	3000K	5953	1-0-2
			4000K	6266	1-0-2
		T5	3000K	6234	3-0-1
			4000K	6563	3-0-1

\*700M Luminaire lumens are scaled from 530M data.

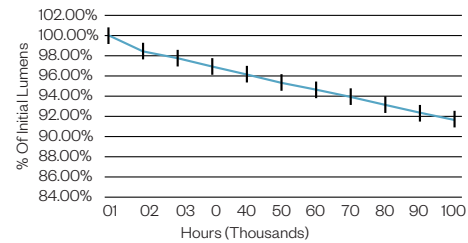
## Lumen Maintenance

For 530mA Drive Current

Ambient Temp	50,000 Hours*	70,000 Hours*	90,000 Hours*	100,000 Hours*	Theoretical L70 Hours
25°C	>95.4%	>93.9%	>92.4%	>91.6%	>200,000

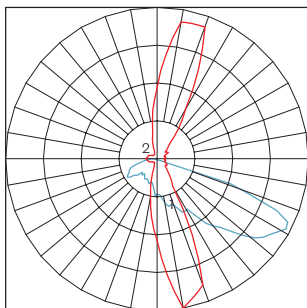
\* Per IESNA TM-21 data.

Lumen maintenance values apply to all output levels and distributions.



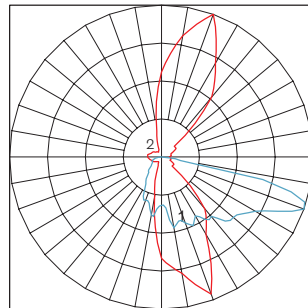
## Light Distribution Types

**Type II (T2)**



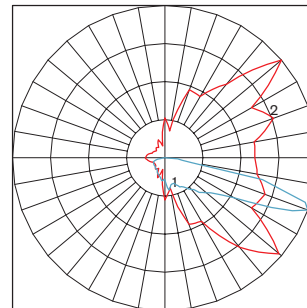
Located At Horizontal Angle = 280; Vertical Angle = 62.5  
 #1 - Vertical Plane Through Horizontal Angles (280-100)\*  
 #2 - Horizontal Cone Through Vertical Angle (62.5)\*  
 \* Through Max. Cd.

**Type III (T3)**



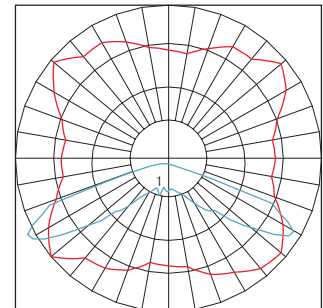
Located At Horizontal Angle = 70; Vertical Angle = 70  
 #1 - Vertical Plane Through Horizontal Angles (70-250)\*  
 #2 - Horizontal Cone Through Vertical Angle (70)\*  
 \* Through Max. Cd.

**Type IV (T4)**



Located At Horizontal Angle = 40; Vertical Angle = 70  
 #1 - Vertical Plane Through Horizontal Angles (40-220)\*  
 #2 - Horizontal Cone Through Vertical Angle (70)\*  
 \* Through Max. Cd.

**Type V (T5)**



Located At Horizontal Angle = 220; Vertical Angle = 62.5  
 #1 - Vertical Plane Through Horizontal Angles (220-40)\*  
 #2 - Horizontal Cone Through Vertical Angle (62.5)\*  
 \* Through Max. Cd.