

# DC214FC

## LED Luminaire



### Features

Contemporary Post-Top lighting for exterior retail, commercial and hospitality environments. High performance LED package available in Type II, III, IV or V light distribution patterns.

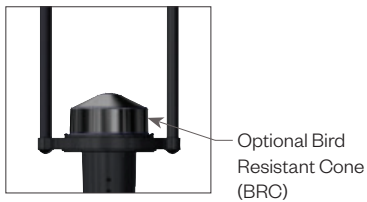
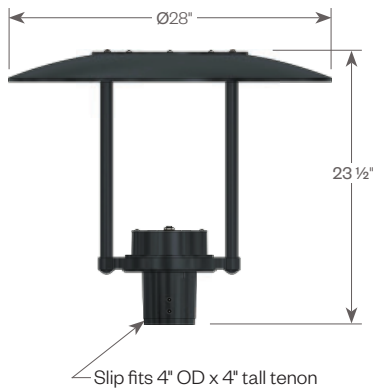
### Product Overview

Wattage: 42W, 56W  
 Color Temp: 3000K, 4000K  
 Dimming: 0-10V dimming



### PROJECT:

### TYPE:



#### Construction:

- Die-Cast aluminum base
- Spun aluminum shade

#### Optics:

- High Performance optical lenses
- 3000K or 4000K
- Available in Type II, III, IV or V light patterns

#### Electrical:

Fully potted driver with electronic constant current operation with over voltage and short circuit protection. Automatic voltage sensing for 120V to 277V input. 0-10V dimmable.

#### Ambient Operating Range:

-40°C to 40°C

#### Finish:

Durable thermoset polyester powdercoat finish in the following:

- Satin Black (BLK)
- Classic Bronze (CLB)
- Gloss Textured Bronze (GBZ)
- Green (GRN)
- Gloss Textured Black (GTB)
- Textured Black (TBK)
- Gloss Textured Green (TGR)

#### Mounting:

Slip fits 4" ODx4" tenon  
 Optional 3" OD tenon mount available

#### EPA:

TBD

**ETL listed, suitable for wet locations.**



5 year limited warranty  
 AMERLUX LED



Certain Restrictions Apply



observe precautions for handling

# DC214FC

LED Luminaire



## PROJECT:

## TYPE:

### Ordering Information

#### DC214FC

**1**

**2**

**3**

**4**

**5**

**6**

**1**

#### Model

**DC214FC**

**DC214FC-3** (use for 3" OD tenon mount)

**2**

#### Color Temp

**30\*** - 3000K

**40** - 4000K

**3**

#### Light Distribution

**T2** - Type II

**T3** - Type III

**T4** - Type IV

**T5** - Type V

**4**

#### Power Level

**530M**

**700M**

**5**

#### Finish

**BLK** - Satin Black

**CLB** - Classic Bronze

**GBZ** - Gloss Textured Bronze

**GRN** - Green

**GTB** - Gloss Textured Black

**TBK** - Textured Black

**TGR** - Gloss Textured Green

**CSTM** - Custom

**6**

#### Options/Accessories

**BLS** - Backlight Shield (for Type II & Type III distributions)

**SSINT** - Integrated Wireless Control Node (for operation on the SmartSite control platform)

**BRC** - Bird Resistant Cone

**\* To meet IDA Dark Sky Fixture Seal of Approval 3000K CCT must be chosen. Not approved with 4000K option.**

**PROJECT:**

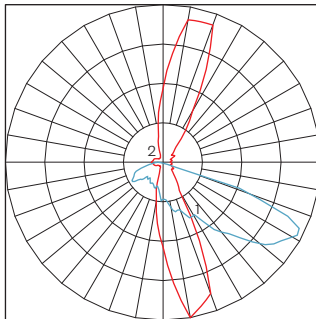
**TYPE:**

**Performance Chart**

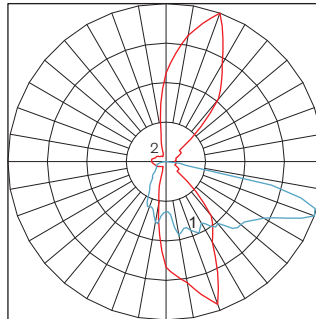
| Power Level | System Watts | Light Distribution | CCT    | Lumens* |
|-------------|--------------|--------------------|--------|---------|
| 530M        | 42W          | T2                 | 3,000K | 4548    |
|             |              |                    | 4,000K | 4788    |
|             |              | T3                 | 3,000K | 4442    |
|             |              |                    | 4,000K | 4676    |
|             |              | T4                 | 3,000K | 4510    |
|             |              |                    | 4,000K | 4747    |
| T5          | 3,000K       | 4723               |        |         |
|             | 4,000K       | 4972               |        |         |
| 700M        | 56W          | T2                 | 3,000K | 6003    |
|             |              |                    | 4,000K | 6320    |
|             |              | T3                 | 3,000K | 5863    |
|             |              |                    | 4,000K | 6172    |
|             |              | T4                 | 3,000K | 5953    |
|             |              |                    | 4,000K | 6266    |
| T5          | 3,000K       | 6234               |        |         |
|             | 4,000K       | 6563               |        |         |

\* 700M Luminaire lumens are scaled from 530M data.

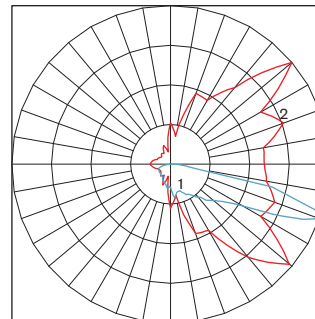
**Performance Chart**



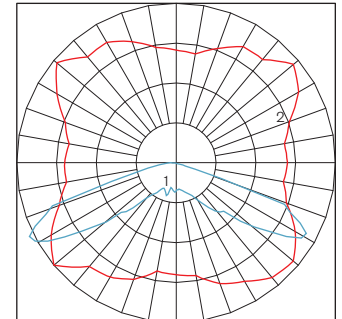
Located At Horizontal Angle = 290, Vertical Angle = 62.5  
 #1 - Vertical Plane Through Horizontal Angles (260-100)\*  
 #2 - Horizontal Cone Through Vertical Angle (62.5)\*  
 \* Through Max. Cd.



Located At Horizontal Angle = 70, Vertical Angle = 70  
 #1 - Vertical Plane Through Horizontal Angles (70-250)\*  
 #2 - Horizontal Cone Through Vertical Angle (70)\*  
 \* Through Max. Cd.



Located At Horizontal Angle = 40, Vertical Angle = 70  
 #1 - Vertical Plane Through Horizontal Angles (40-220)\*  
 #2 - Horizontal Cone Through Vertical Angle (70)\*  
 \* Through Max. Cd.



Located At Horizontal Angle = 220, Vertical Angle = 62.5  
 #1 - Vertical Plane Through Horizontal Angles (220-40)\*  
 #2 - Horizontal Cone Through Vertical Angle (62.5)\*  
 \* Through Max. Cd.

**Lumen Maintenance**

**For 530mA Drive Current**

| Ambient Temp | 50,000 Hours* | 70,000 Hours* | 90,000 Hours* | 100,000 Hours* | Theoretical L70 Hours |
|--------------|---------------|---------------|---------------|----------------|-----------------------|
| 25°C         | >95.4%        | >93.9%        | >92.4%        | >91.6%         | >200,000              |

\* Per IESNA TM-21 data

Lumen maintenance values apply to all output levels and distributions..

