

Rook X Pole Mount



Features

The Rook X Pole Mount family takes adjustable lighting to next level. Allowing multiple Rook X Adjustable accents to be pole mounted creates flexibility in putting light just where needed in any outdoor environment. Several standard mounting configurations from 1 to 4 fixtures are available with both versions of the Rook X adjustable fixtures. Various optical accessories, beam shaping films or a hexcell louver can be configured at the time of order and can be changed in the field if needed.

Product Overview

Type:	Exterior Pole Mounted System for Adjustable Accents
Wattage:	12W
Color Temp:	2700K, 3000K, 3500K, 4000K
CRI:	83 typ. or 90+ typ.
Dimming:	Integrated driver with 3 dimming protocols is standard (TRIAC & ELV or 0-10V), 120-277V
Operating Temp:	-40° to +40° C

PROJECT:

TYPE:



Post Top model shown with Rear Mount Accents



Post Top model shown with Side Mount Accents



Also available as a clamp on collar mount for 4" or 5" OD poles with 1 or 2 fixtures per collar. CM4 (4") & CM5 (5")

Application:

Pole mounted exterior accent lighting for landscape, patio, hardscape, building facade or signage.

Luminaire Construction:

- Machined aluminum housing and die-cast knuckle assembly
- IP66 sealed optical chamber and integral driver chamber
- Flush lens prevents puddles/water deposits in upward facing applications
- 180°+ adjustability in the knuckle
- Infinitely adjustable within the vertical aiming range using tapered locking mechanism.

Optics:

- 17°, 22°, 28°, 45°, 60°, 60x20, 90x60
- 90x60 beam spreads are available with secondary shaping lens

Electrical:

- Integral tri-dim driver
- Input voltage 120V-277V auto-sensing
- Drive current 300mA
- Power consumption 12W

Luminaire Mounting:

- Fixture threads onto fixed pole couplings with supplied 1/2" threaded stainless steel nipple. Coupling and fixture include set screw to lock horizontal rotation in place.

Optical Accessories:

- Hexcell Louver (HEX)
- Requires AL (Accessory mount lens):
- Full Glare Shield (FGS)
- Half Glare Shield (HGS)
- Visor Shield (VS)

Finish:

Premium quality thermoset polyester powdercoat for a durable finish.

ETL listed, suitable for wet locations.



Rook X Pole Mount



PROJECT:

TYPE:

Pole Mount Ordering Information

1	2	3
1 Model	2 Fixture Qty & Orientation	3 Finish
RKX-PT - post top column (tenon mount) to pole RKX-PI-8 - 8' pole with integral mounting couplers RKX-PI-10 - 10' pole with integral mounting couplers RKX-PI-12 - 12' pole with integral mounting couplers RKX-CM4 - clamp mount for 4" OD poles RKX-CM5 - clamp mount for 5" OD poles	1F0 - 1 @ 0° 2F90* - 2 @ 90° 2F180 - 2 @ 180° 3F90* - 3 @ 90° 3F120* - 3 @ 120° 4F90* - 4 @ 90° <i>* Not available for use with RKX-CMx models</i>	Standard Colors BLK - smooth satin black ABZ - architectural bronze Premium Colors TBK - textured black SDS - stardust silver WHT - white <i>RAL or custom colors available (consult factory)</i>

Anchor Bolt Ordering Information (for RKX-PI-xx models only)

1
1 Model
RKX-PI-555-0004 - 1/2" x 18" anchor bolt

Luminaire Ordering Information

Note: Luminaires are ordered individually and can be configured differently on the same pole, if desired. Ensure that the total number of fixtures ordered equals the number of fixture locations specified on the pole.

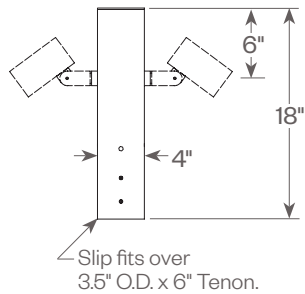
1	2	3	4	5	6
1 Model	2 Lens Type	3 Beam Spread	4 Color Temp -CRI	5 Finish	6 Optical Accessories
RKX-AS - side mount knuckle RKX-AR - rear mount knuckle	F - flush lens A - accessory mount lens	SP - spot, 17° NF - narrow flood, 22° FL - flood, 28° WF - wide flood, 45° VWF - very wide flood, 60° LS6020 - linear spread, 60°x20° LS9060 - linear spread, 90°x60°	83 CRI 90+ CRI 27 2700K, 80+ 279 2700K, 90+ 30 3000K, 80+ 309 3000K, 90+ 35 3500K, 80+ 359 3500K, 90+ 40 4000K, 80+ 409 4000K, 90+	Standard Colors BLK - smooth satin black ABZ - architectural bronze Premium Colors TBK - textured black SDS - stardust silver WHT - white <i>RAL or custom colors available (consult factory)</i>	HEX - hexcell louver <u>Requires Accessory mount lens (A)</u> FGS - full glare shield HGS - half glare shield VS - visor shield

Rook X Pole Mount

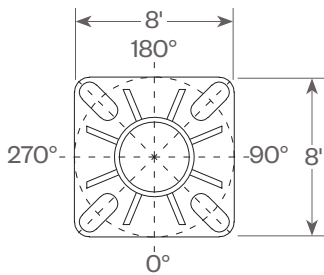
PROJECT:

TYPE:

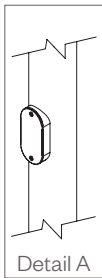
Pole Mount Types



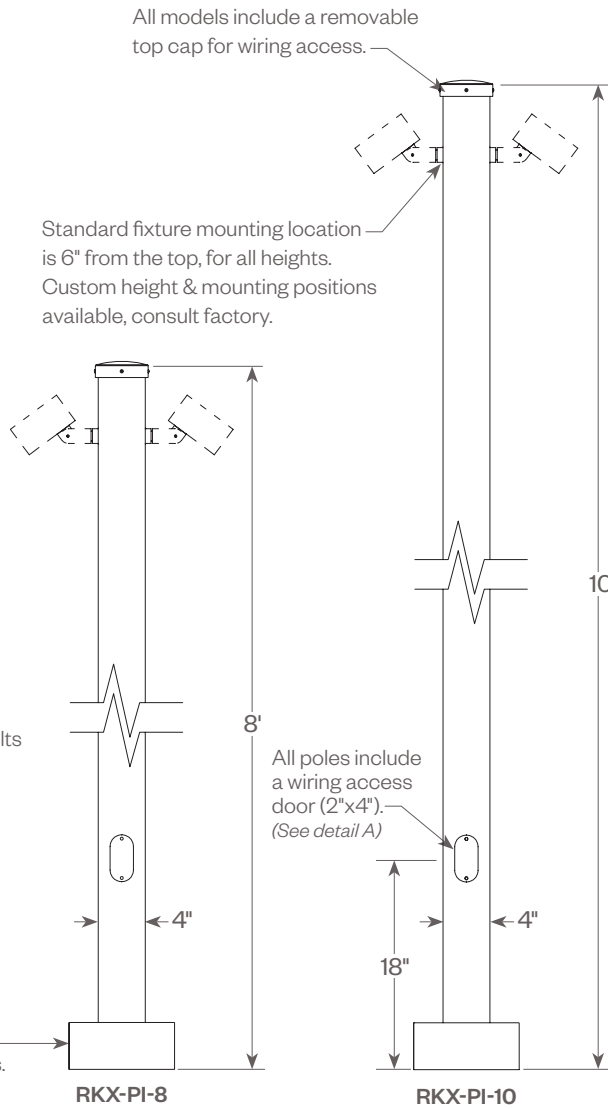
RKX-PT



- (4) 1/2" Galvanized Steel L-Type Anchor Bolts
- (8) 1/2" Galvanized Steel Hex Nuts
- (8) 1/2" Galvanized Steel Flat Washers
- (8) 3/4" Galvanized Steel Flat Washers



Anchor bolt cover is included on all models.



All models include a removable top cap for wiring access.

Standard fixture mounting location is 6" from the top, for all heights. Custom height & mounting positions available, consult factory.

All poles include a wiring access door (2" x 4"). (See detail A)

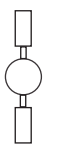
Fixture Qty and Orientation



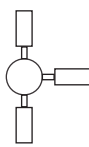
1F0
1 @ 0°



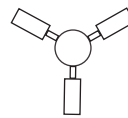
2F90*
2 @ 90°



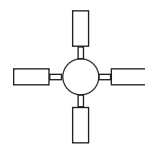
2F180
2 @ 180°



3F90*
3 @ 90°



3F120*
3 @ 120°



4F90*
4 @ 90°

** Not available for use with RKX-CMx models*

Rook X Pole Mount

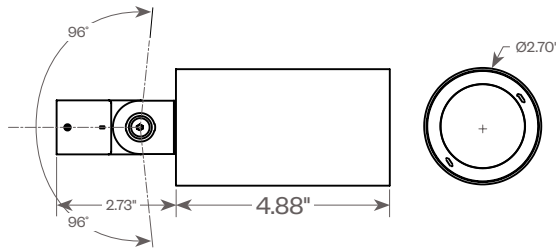
PROJECT:

TYPE:

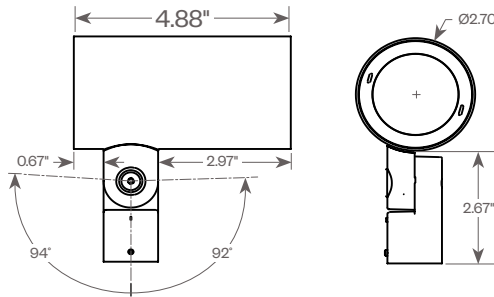
Luminaire Types



RKX-AR (rear mount knuckle)



RKX-AS (side mount knuckle)



Lens Types

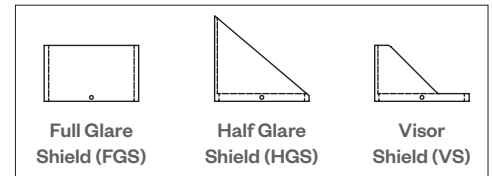


Flush Lens (F)



Accessory Mount Lens (A)

Options for Accessory Mount Lens (A)



Performance Chart

Beam Spread	SP	NF	FL	WF	VWF	LS9060	LS6020
Description	Spot	Narrow Flood	Flood	Wide Flood	Very Wide Flood	Asymmetric Linear Spread	Asymmetric Linear Spread
Nominal Deg	17	22	28	45	60	90x60	60x20
Lumens	1093	1026	967	986	944	907	779

Data shown for 3000K, 80 CRI. For other CCT and CRI options see pg 6.

Performance with Optional Shielding

Beam Spread	Accessory	Lumens	Note:
FL	w/o Shielding	962	Performance with shields varies greatly based on beam type. Consult factory for IES files with other beam types.
FL	w/FGS	868	
FL	w/HGS	896	
FL	w/VS	931	

Rook X Pole Mount

PROJECT:

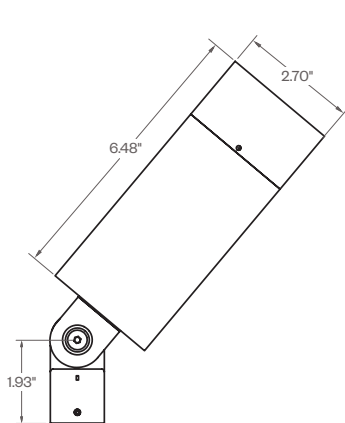
TYPE:

Ordering Information for additional or replacement optical films

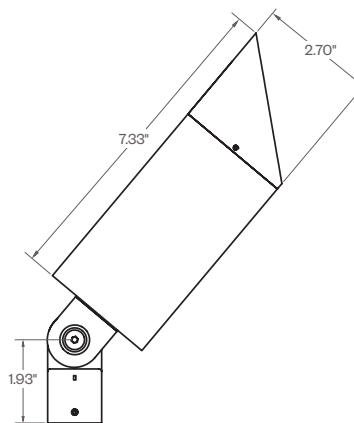
Luminaire Optics			Secondary Optic Information (Films)	
Optic	Nominal Distribution	Description	Part # for Secondary Optics	Description
SP	17	Spot	NA	Standard Optic
NF	22	Narrow Flood	665-0050-1	10° Optical Film
FL	28	Flood	665-0047-7	15° Optical Film
WF	45	Wide Flood	665-0052-1	30° Optical Film
VWF	60	Very Wide Flood	665-0054-1	60° Optical Film
LS60x20	60x20	Asymmetric	665-0062-01	60° x 20° Optical Film
LS90x60	90x60	Asymmetric	665-0063-04	90° x 60° Optical Film
Multiple	Multiple	Kit with all options	301-14781	All above included
All	NA	Film Mounting Ring	607-0386	Mounting Ring for Film

Part #'s above are used to order additional or replacement films.
When specifying the original configuration the optic is already included.

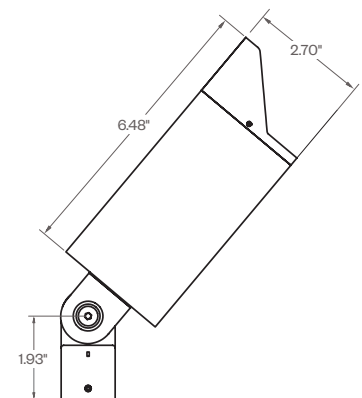
Optical Accessories



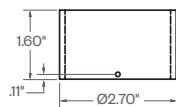
RKX-AR shown with FGS



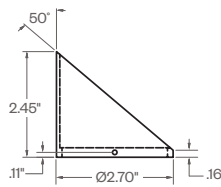
RKX-AR shown with HGS



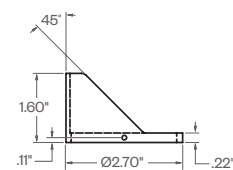
RKX-AR shown with VS



Full Glare Shield (FGS)*

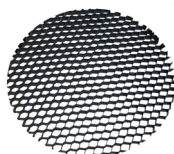


Half Glare Shield (HGS)*



Visor Shield (VS)*

* Requires Accessory mount lens option (A)



Hexcell Louver (HEX)
(Available for either lens option)

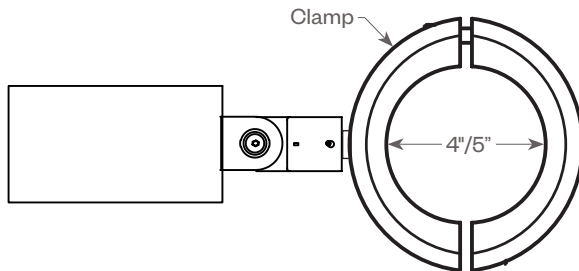
Rook X Pole Mount

PROJECT:

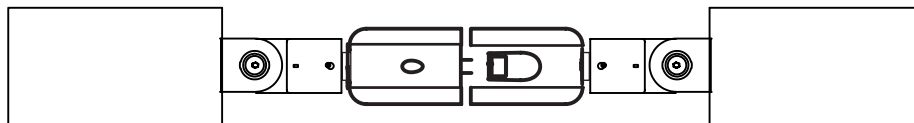
TYPE:

CLAMP MOUNT OPTION

Available for single or dual fixture options.



For 4" OD poles, specify RKX-CM4
For 5" OD poles, specify RKX-CM5



FIXTURE DATA: (Complete photometric data (.ies format) available upon request)

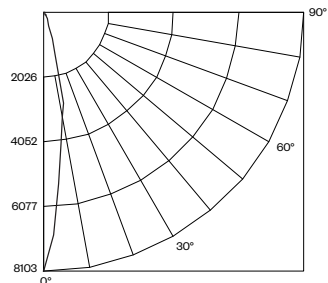
FIXTURE DATA: (Complete photometric data (.ies format) available upon request)

MULTIPLYING FACTORS: (Multiplying Factor is based on 3000K-83 120V IES file on website)

CCT:	2700K-83	3000K-83	3500K-83	4000K-83	2700K-90+	3000K-90+	3500K-90+	4000K-90+
Factor:	0.96	1.0	1.02	1.04	0.80	0.83	0.87	0.90

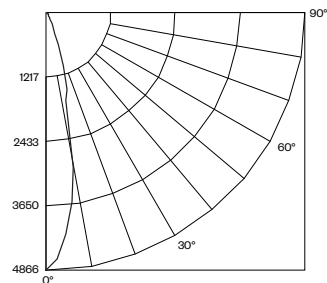
Flush Lens

Spot (SP) Distribution, 17°
Lumens: 1093



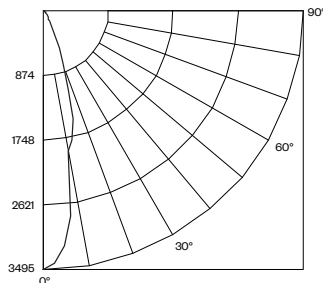
Candelas	
Deg	Candela
0	8103
5	5417
15	1328
25	136
35	53
45	31

Narrow Flood (NF) Distribution, 22°
Lumens: 1026



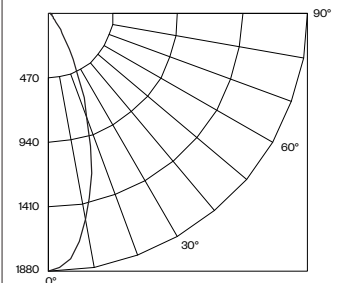
Candelas	
Deg	Candela
0	4866
5	4199
15	1502
25	242
35	70
45	35

Flood (FL) Distribution, 28°
Lumens: 967



Candelas	
Deg	Candela
0	3495
5	3190
15	1525
25	326
35	73
45	28

Wide Flood (WF) Distribution, 45°
Lumens: 986



Candelas	
Deg	Candela
0	1880
5	1795
15	1211
25	515
35	147
45	50

Rook X Pole Mount

PROJECT:

TYPE:

DIMMING COMPATIBILITY:

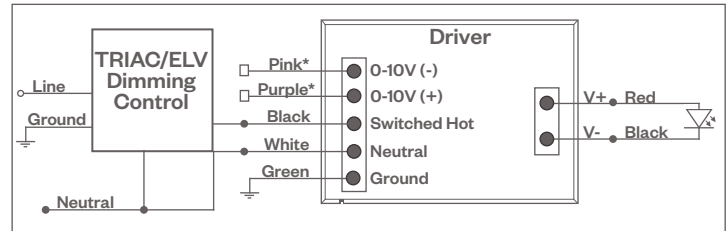
Amerlux® Rook fixtures are compatible with most major dimming protocols prevalent in the United States. Please see below for general compatibilities and wiring diagrams. Amerlux recommends testing your unique dimming configuration as the exact full configuration (Dimmer, Fixture Quantity, Voltage, etc) may affect dimming performance.

--- NOTE: INFORMATION BELOW IS FOR WIRED DIMMERS ONLY. FOR WIRELESS DIMMERS, CONSULT FACTORY ---

TRIAC (Forward Phase) DIMMING (Standard) or ELV - Electronic Low Voltage (Reverse Phase) DIMMING (Standard)
TRIAC or ELV Wiring Diagram

Notes:

- TRIAC/ELV dimming at 120V only (dimming to 1%)
- Consult Dimming manufacturer for installation instructions - DO NOT SHARE NEUTRALS!
- Must meet dimmer Minimum Load Requirements per dimming manufacturer



* Pink & Purple wires are not used for TRIAC/ELV dimmer.

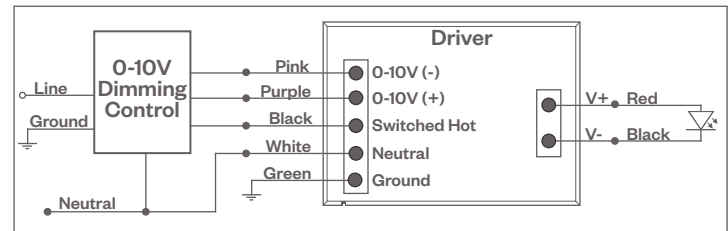
0-10V - DIMMING (-0-10V Option)

Integrates into a variety of building management and daylighting controls

Notes:

- 0-10V dimming at 120V or 277V* (dimming to 2%)
- Requires interface to turn off power to driver
- Consult Dimming manufacturer for installation instructions - DO NOT SHARE NEUTRALS!

0-10V Wiring Diagram



Notes:

- * Driver is 277V dimmable with appropriate dimmer (by others). All provided wiring diagrams show 120V wiring colors and method. Please refer to 277V dimmer installation instructions for 277V wiring diagrams.
- † The absence of a dimmer from the lists above does not imply incompatibility. Please consult factory for compatibility inquiries.