

Rook X Accent

2" Exterior Adjustable
Accent



RKX-AR



RKX-AS

Features

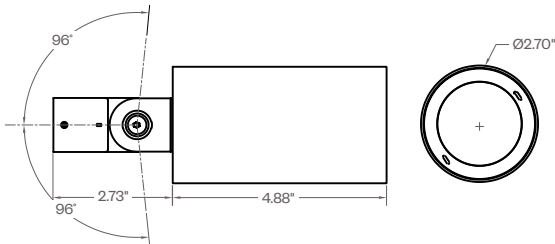
The Rook X takes Adjustable lighting to next level. The family employs solid state technology and precision engineering to provide small scale, but powerful LED solution for landscape, architectural and even post mounted layouts. All components are encapsulated inside a single attractive enclosure designed for superior performance in weather resistant applications. Offered in a choice of beam spreads, finishes, and color temperatures. Two mounting options, and several glare shields are also available. Various optical accessories, beam shaping films or a hexcell louver can be changed or added in the field.

Product Overview

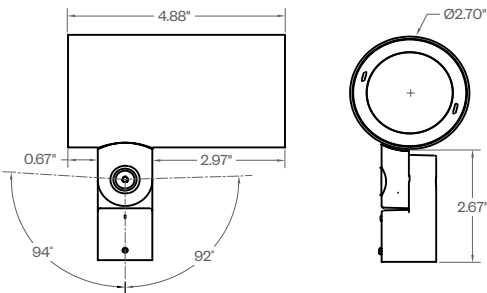
Type:	Exterior Adjustable Accent
Wattage:	12W
Color Temp:	2700K, 3000K, 3500K, 4000K
CRI:	83 typ. or 90+ typ.
Dimming:	Integrated driver with 3 dimming protocols is standard (TRIAC & ELV or 0-10V), 120-277V
Operating Temp:	-40° to +40° C

PROJECT:

Rear Knuckle Mount (RKX-AR)



Side Knuckle Mount (RKX-AS)



TYPE:

Application:

Exterior accent lighting for landscape, hardscape, buildings, signage or pole mount.

Construction:

- Machined aluminum housing and die-cast knuckle assembly
- IP66 sealed optical chamber and integral driver chamber
- Flush lens prevents puddles/water deposits in upward facing applications
- 180°+ adjustability in the knuckle
- Infinitely adjustable within the vertical aiming range using tapered locking mechanism.

Optics:

- 17°, 22°, 28°, 45°, 60°, 60x20, 90x60
- 90x60 beam spreads are available with secondary shaping lens

Electrical:

- Integral tri-dim driver
- Input voltage 120V-277V auto-sensing
- Drive current 300mA
- Power consumption 12W

Mounting:

- 1/2" NPT internal threads on the adjustable knuckle
- Supplied with 1/2" NPT to 1/2" NPSM externally threaded stainless steel nipple for mounting to various accessories

Mounting Accessories:

- (ordered separately)
- Ground Stake (**GSP17**)
 - Round Junction Box (**RDBOX**)
 - Round Cover for JBOX (**RDCOVx**)
 - Rectangular JBOX (**RTBOX**)
 - Rectangular Cover for RT-BOX (**RTC OVx**)
 - Wall Mount (**WMS14**)

Optical Accessories:

- Hexcell Louver (**HEX**)
- Requires AL (Accessory mount lens):
- Full Glare Shield (**FGS**)
 - Half Glare Shield (**HGS**)
 - Visor Shield (**VS**)

Finish:

Premium quality thermoset polyester powdercoat for a durable finish.

ETL listed, suitable for wet locations.



5 year limited warranty
AMERLUX LED



Rook X Accent

2" Exterior Adjustable Accent



PROJECT:

TYPE:

Luminaire Ordering Information

1

2

3

4

5

6

1

Model

RKX-AS - Side mount knuckle
RKX-AR - Rear mount knuckle

2

Lens Type

F - Flush lens
A - Accessory mount lens

3

Beam Spread

SP - spot, 15°
NF - narrow flood, 22°
MFL - medium flood, 25°
FL - flood, 31°
WF - wide flood, 45°
VWF - very wide flood, 71°
LS6020 - linear spread, 60°x20°
LS9060 - linear spread, 90°x60°

4

Color Temp

<u>83 CRI</u>	<u>90+ CRI</u>
27 - 2700K-83	279 - 2700K-90+
30 - 3000K-83	309 - 3000K-90+
35 - 3500K-83	359 - 3500K-90+
40 - 4000K-83	409 - 4000K-90+

5

Finish

Standard Colors

ABZ - architectural bronze
BLK - smooth satin black

Premium Colors

SDS - stardust silver
TBK - textured black
WHT - white
RAL or custom colors available (consult factory)

6

Optical Accessories

HEX - Hexcell Louver

Requires Accessory mount lens (**A**):

FGS - Full Glare Shield
HGS - Half Glare Shield
VS - Visor Shield

Mounting Accessories Ordering Information (ordered separately)

1

2

1

Mounting Accessories

GSP17 - Ground Stake (black polycarbonate)
RDBOX - Round Junction Box (specify finish)
RDCOV1 - Round Cover for RDBOX, single mounting hole (specify finish)
RDCOV2 - Round Cover for RDBOX, dual mounting hole (specify finish)
RTBOX - Rectangular Junction Box (specify finish)
RTC OV1 - Rectangular Cover for RTBOX, single mounting hole (specify finish)
RTC OV2 - Rectangular Cover for RTBOX, dual mounting hole (specify finish)
WMS14 - Wall Mount (specify finish)

2

Finish

Standard Colors

ABZ - architectural bronze
BLK - smooth satin black

Premium Colors

SDS - stardust silver
TBK - textured black
WHT - white
RAL or custom colors available (consult factory)

Rook X Accent

2" Exterior Adjustable Accent



PROJECT:

TYPE:

Lens Types



Flush Lens (F)



Accessory Mount Lens (A)

Performance Chart

Beam Spread	SP	NF	FL	WF	VWF	LS9060	LS6020
Description	Spot	Narrow Flood	Flood	Wide Flood	Very Wide Flood	Asymmetric Linear Spread	Asymmetric Linear Spread
Nominal Deg	17	22	28	45	60	90x60	60x20
Lumens	1093	1026	967	986	944	907	779

Data shown for 3000K, 80 CRI. For other CCT and CRI options see pg 6.

Performance with Optional Shielding

Beam Spread	Accessory	Lumens	Note:
FL	w/o Shielding	962	Performance with shields varies greatly based on beam type. Consult factory for IES files with other beam types.
FL	w/FGS	868	
FL	w/HGS	896	
FL	w/VS	931	

Ordering Information for additional or replacement optical films

Luminaire Optics			Secondary Optic Information (Films)	
Optic	Nominal Distribution	Description	Part # for Secondary Optics	Description
SP	17	Spot	NA	Standard Optic
NF	22	Narrow Flood	665-0050-1	10° Optical Film
FL	28	Flood	665-0047-7	15° Optical Film
WF	45	Wide Flood	665-0052-1	30° Optical Film
VWF	60	Very Wide Flood	665-0054-1	60° Optical Film
LS60x20	60x20	Asymmetric	665-0062-01	60° x 20° Optical Film
LS90x60	90x60	Asymmetric	665-0063-04	90° x 60° Optical Film
Multiple	Multiple	Kit with all options	301-14781	All above included
All	NA	Film Mounting Ring	607-0386	Mounting Ring for Film

Part #'s above are used to order additional or replacement films.
When specifying the original configuration the optic is already included.

Rook X Accent

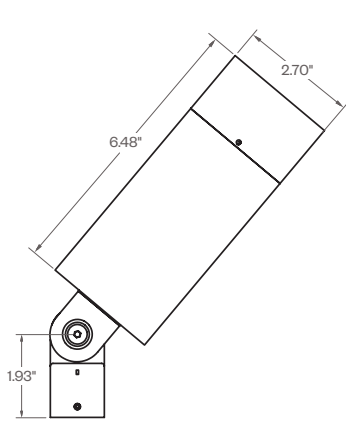
2" Exterior Adjustable Accent



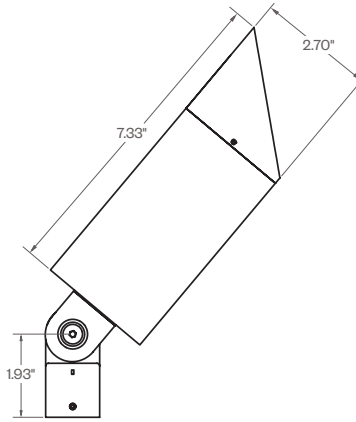
PROJECT:

TYPE:

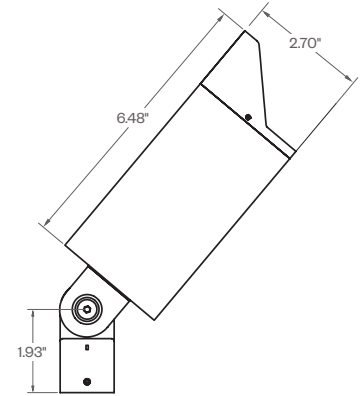
Optical Accessories



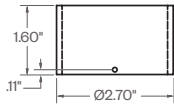
RKX-AR shown with FGS



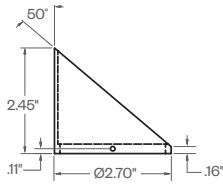
RKX-AR shown with HGS



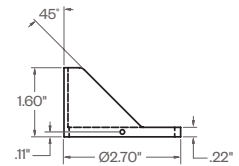
RKX-AR shown with VS



Full Glare Shield (FGS)*

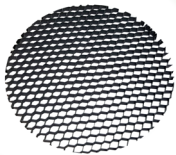


Half Glare Shield (HGS)*



Visor Shield (VS)*

* Requires AL Lens option



Hexcell Louver (HEX)
(Available for either lens option)

Mounting Accessories (ordered separately)



RDBOX



RDCOV1



RDCOV2



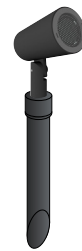
RTBOX



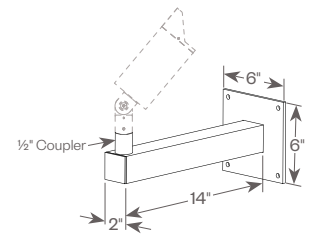
RTCOV1



RTCOV2



Ground Stake (GSP-17)
(Black Polycarbonate Only)



Wall Mount (WMS14)
Mounting hardware
not included
EPA: 0.21

Rook X Accent

2" Exterior Adjustable Accent



PROJECT:

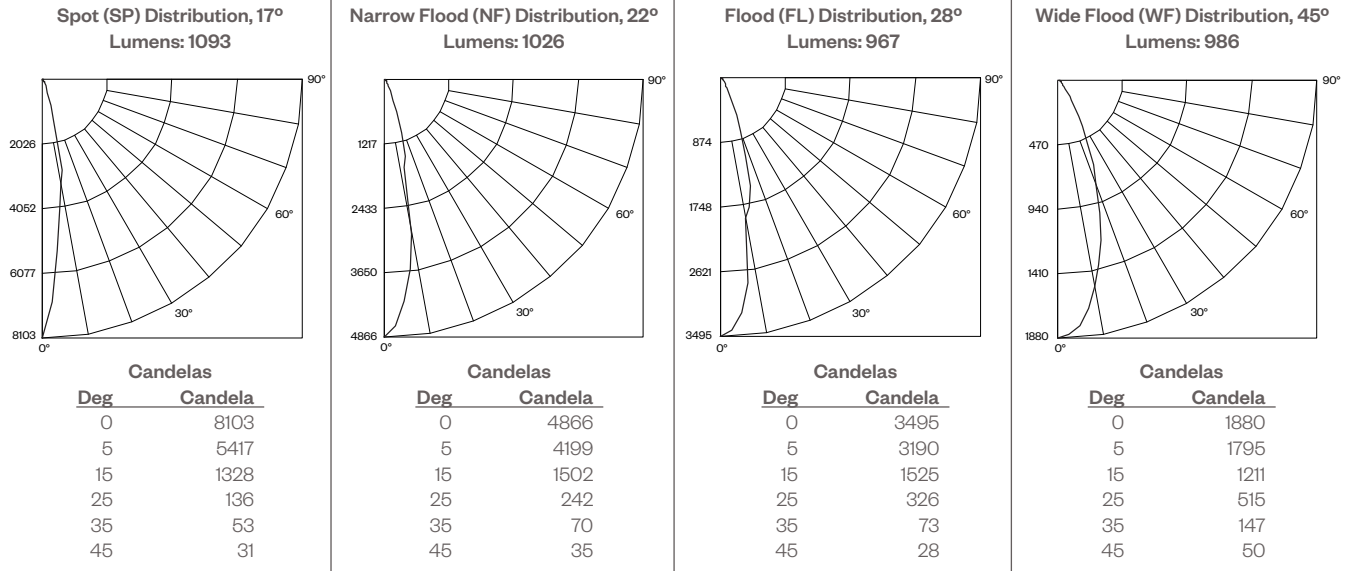
TYPE:

FIXTURE DATA: (Complete photometric data (.ies format) available upon request)

MULTIPLYING FACTORS: (Multiplying Factor is based on 3000K-83 120V IES file on website)

CCT:	2700K-83	3000K-83	3500K-83	4000K-83	2700K-90+	3000K-90+	3500K-90+	4000K-90+
Factor:	0.96	1.0	1.02	1.04	0.80	0.83	0.87	0.90

Flush Lens



Rook X Accent

2" Exterior Adjustable Accent



PROJECT:

TYPE:

DIMMING COMPATIBILITY:

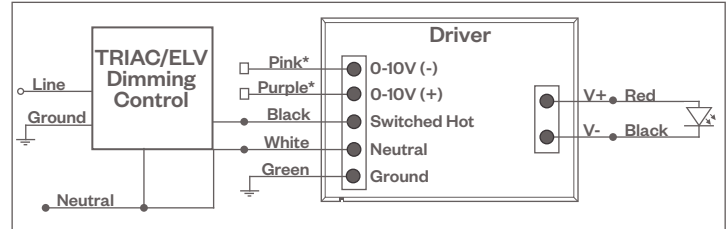
Amerlux® Rook fixtures are compatible with most major dimming protocols prevalent in the United States. Please see below for general compatibilities and wiring diagrams. Amerlux recommends testing your unique dimming configuration as the exact full configuration (Dimmer, Fixture Quantity, Voltage, etc) may affect dimming performance.

--- NOTE: INFORMATION BELOW IS FOR WIRED DIMMERS ONLY. FOR WIRELESS DIMMERS, CONSULT FACTORY ---

TRIAC (Forward Phase) DIMMING (Standard) or ELV - Electronic Low Voltage (Reverse Phase) DIMMING (Standard) TRIAC or ELV Wiring Diagram

Notes:

- TRIAC/ELV dimming at 120V only (dimming to 1%)
- Consult Dimming manufacturer for installation instructions - DO NOT SHARE NEUTRALS!
- Must meet dimmer Minimum Load Requirements per dimming manufacturer



* Pink & Purple wires are not used for TRIAC/ELV dimmer.

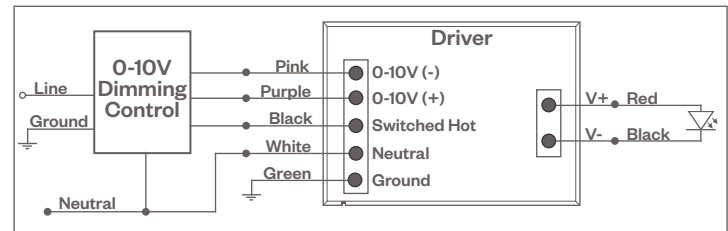
0-10V - DIMMING (-0-10V Option)

Integrates into a variety of building management and daylighting controls

Notes:

- 0-10V dimming at 120V or 277V* (dimming to 2%)
- Requires interface to turn off power to driver
- Consult Dimming manufacturer for installation instructions - DO NOT SHARE NEUTRALS!

0-10V Wiring Diagram



Notes:

- * Driver is 277V dimmable with appropriate dimmer (by others). All provided wiring diagrams show 120V wiring colors and method. Please refer to 277V dimmer installation instructions for 277V wiring diagrams.
- † The absence of a dimmer from the lists above does not imply incompatibility. Please consult factory for compatibility inquiries.