

Rook X

2" Exterior Wall Mounted Cylinder
- Down Light Only



Down Light Only (RKX-DW)



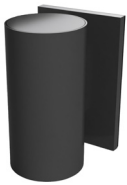
Features

The Rook X family of small scale architectural exterior cylinders includes wall mounted fixtures in either a dual output (Up/Down) light, or a single (Up or Down) configurations. An integral driver and a smooth, seamless body allow the fixture to fit in a wide variety of commercial, hospitality, retail and high end residential applications both Indoor or Outdoor in Wet Locations. Various optical accessories, beam shaping films or a hexcell louver can be changed or added in the field.

Product Overview

- Type: Exterior Wall Mount, Down Only
- Wattage: 12W
- Color Temp: 2700K, 3000K, 3500K, 4000K
- CRI: 83 typ. or 90+ typ.
- Dimming: Integrated driver with 3 dimming protocols is standard (TRIAC & ELV or 0-10V), 120-277V
- Operating Temp: -40° to +40° C

PROJECT:



TYPE:

Performance Chart

Distribution	Spot 15°	Narrow Flood 22°	Flood 28°	Wide Flood 45°	Very Wide Flood 71°
Downward	1054	1001	980	974	833

Data shown for 3000K, 80 CRI. For other CCT and CRI options see pg 5.

Electrical Data

Voltage	System Watts	Amps
120V	12	0.10
277V	12	0.04

Electronic constant current LED driver

Max. Fixture Weight

Weight (lbs)
2.1



Rook X

2" Exterior Wall Mounted Cylinder
Down Light Only



PROJECT:

TYPE:

Ordering Information



- 1** Model
RKX-DW (down only, 12W)
- 2** Finish
Standard Colors
ABZ - architectural bronze
BLK - smooth satin black

Premium Colors
SDS - stardust silver
TBK - textured black
WHT - white

RAL or custom colors available (consult factory)
- 3** Beam Spread
SP - spot, 15°
NF - narrow flood, 22°
MFL - medium flood, 25°
FL - flood, 31°
WF - wide flood, 45°
VWF - very wide flood, 71°
LS6020 - linear spread, 60°x20°
LS9060 - linear spread, 90°x60°
- 4** Color Temp
83 CRI 90+ CRI
27 - 2700K-83 279 - 2700K-90+
30 - 3000K-83 309 - 3000K-90+
35 - 3500K-83 359 - 3500K-90+
40 - 4000K-83 409 - 4000K-90+
- 5** Accessories
HEX-D - hexcell louver in downward light source

Ordering Information for additional or replacement optical films

Luminaire Optics			Secondary Optic Information (Films)	
Optic	Nominal Distribution	Description	Part # for Secondary Optics	Description
SP	15	Spot	NA	Standard Optic
NF	22	Narrow Flood	665-0050-1	10° Optical Film
FL	28	Flood	665-0047-7	15° Optical Film
WF	45	Wide Flood	665-0052-1	30° Optical Film
VWF	71	Very Wide Flood	665-0054-1	60° Optical Film
LS-60x20	60x20	Asymmetric	665-0062-01	60° x 20° Optical Film
LS-90x60	90x60	Asymmetric	665-0063-04	90° x 60° Optical Film
Multiple	Multiple	Kit with all options	301-14781	All above included
All	NA	Film Mounting Ring	607-0386	Mounting Ring for Film

Part #'s above are used to order additional or replacement films.
When specifying the original configuration the optic is already included.

Rook X

2" Exterior Wall Mounted Cylinder
Down Light Only



PROJECT:

TYPE:

Specifications

Application

Commercial, hospitality, retail and high end residential exterior wall mounted fixtures

Construction

Extruded aluminum housing
Die-cast neck and wall plate
Extruded aluminum heat sink
Machined aluminum bezel and top plate

Optical

Amerlux Designed TIR optical system

Beam Spreads: Spot 15°, Narrow Flood 22°

Medium Flood 25°, Flood 31°, Wide Flood 45°

Very Wide Flood 71°, Linear Spread Lens 60° x 20°, 90° x 60°

LED

Color Temp Options: 2700K, 3000K, 3500K, 4000K

CRI: 83 typ. or 90+ typ.

R9 Values: 11 (83 CRI), 55 (90+ CRI)

Binning: 3 MacAdam (SDCM)

Life: 50,000+ hrs, > 70% of initial lumens at 50,000 hrs

Electrical

Wattage: 12W

Electronic constant current LED driver, 120V-277V input

This product complies with IEEE C62.41 for surge endurance up to 2.5KV. Amerlux® recommends using additional surge protection with this unit (supplied by others), surge and over voltage damage is not covered under warranty.

Driver

Integrated driver with 3 built in dimming protocols is standard (TRIAC, ELV or 0-10V)

TRIAC / ELV dimming at 120V only (dimming to 1%)

0-10V dimming at 120V or 277V (dimming to 2%)

Finish

UV resistant polyester powder coat

Mounting

Stainless steel wall mounted bracket

Certifications

CSA listed for wet location

Warranty

5 year limited warranty

Rook X

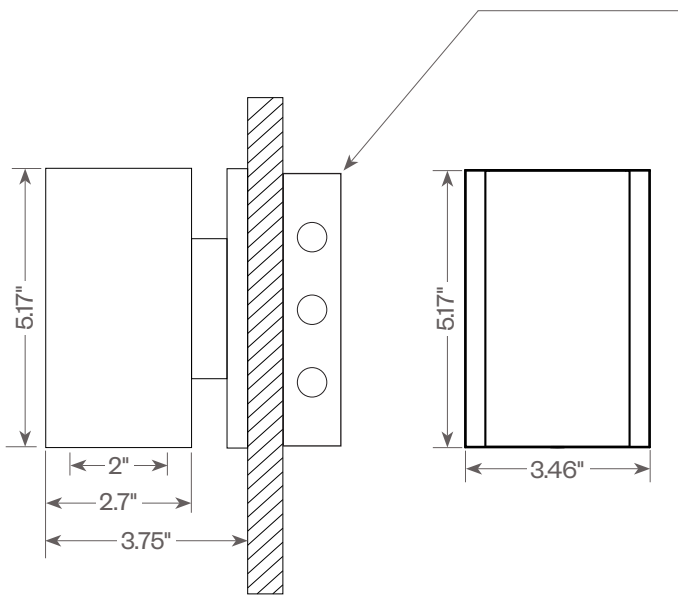
2" Exterior Wall Mounted Cylinder
Down Light Only



PROJECT:

TYPE:

DIMENSIONS



Note: Single gang electrical box required and supplied by others (weatherproof or standard single switch type). Check local codes for suitability.

Rook X

2" Exterior Wall Mounted Cylinder
Down Light Only



PROJECT:

TYPE:

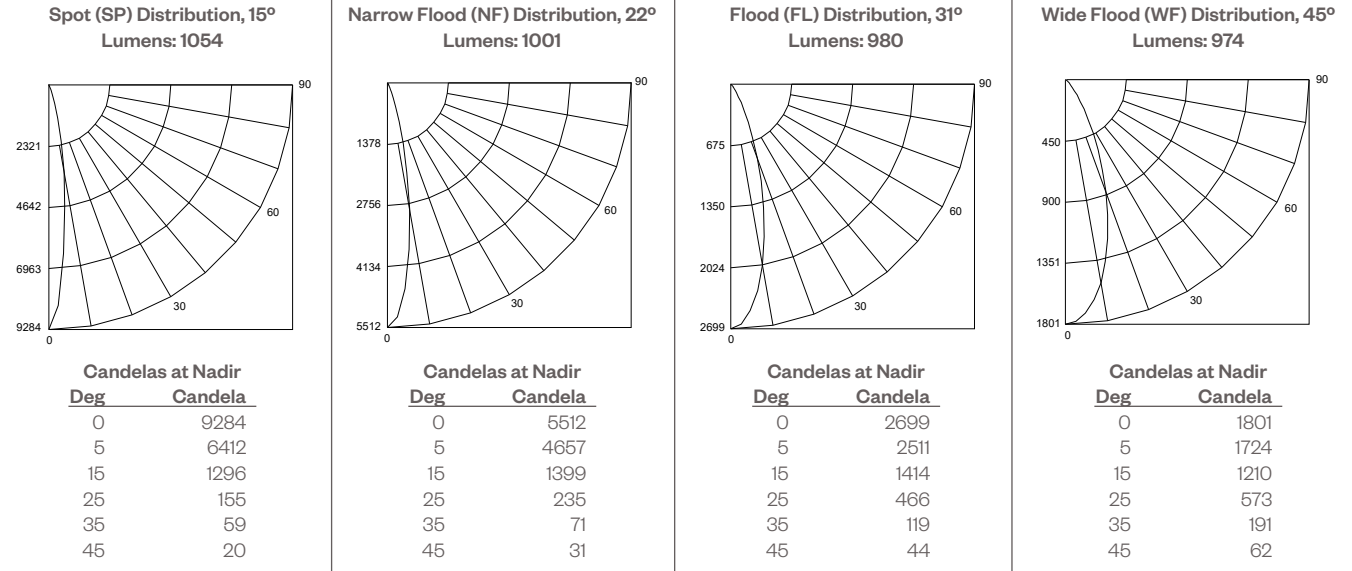
FIXTURE DATA: (Complete photometric data (.ies format) available upon request)

MULTIPLYING FACTORS: (Multiplying Factor is based on 3000K-83 120V IES file on website)

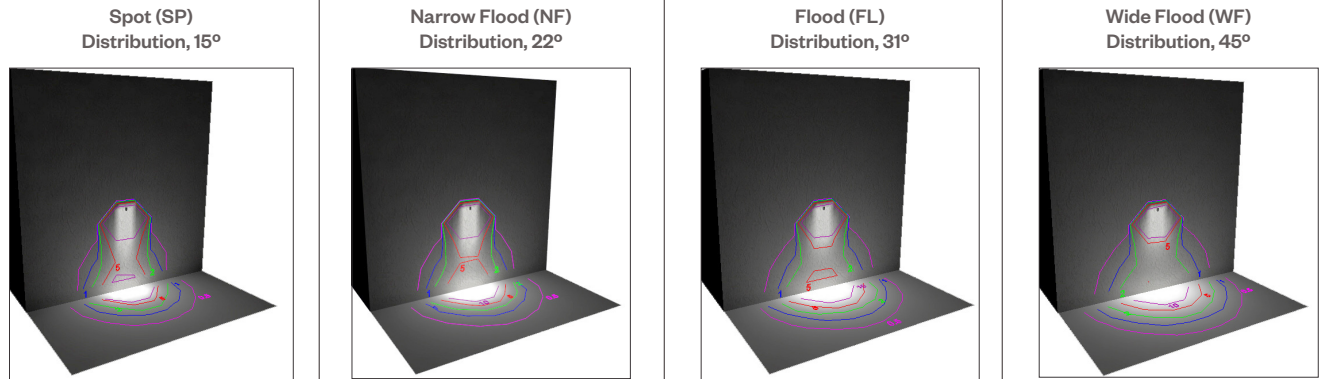
CCT:	2700K-83	3000K-83	3500K-83	4000K-83
Factor:	0.96	1.0	1.02	1.04

CCT:	2700K-90+	3000K-90+	3500K-90+	4000K-90+
Factor:	0.80	0.83	0.87	0.90

Polar Plot for RKX-DW



Application Data:



Isoline Legend	
Illuminance (fc)	Color / Value
0.5	
1	
2	
5	
10	

Rook X

2" Exterior Wall Mounted Cylinder
Down Light Only



PROJECT:

TYPE:

DIMMING COMPATIBILITY:

Amerlux® Rook fixtures are compatible with most major dimming protocols prevalent in the United States. Please see below for general compatibilities and wiring diagrams. Amerlux recommends testing your unique dimming configuration as the exact full configuration (Dimmer, Fixture Quantity, Voltage, etc) may affect dimming performance.

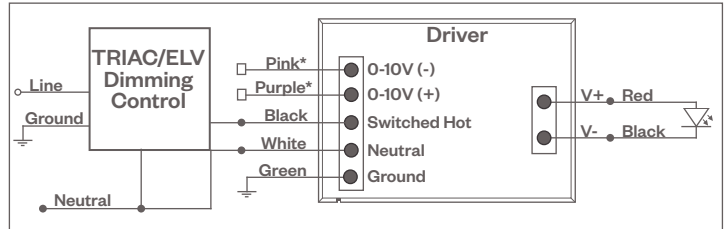
--- NOTE: INFORMATION BELOW IS FOR WIRED DIMMERS ONLY. FOR WIRELESS DIMMERS, CONSULT FACTORY ---

TRIAC (Forward Phase) DIMMING (Standard) or ELV - Electronic Low Voltage (Reverse Phase) DIMMING (Standard)

Notes:

- TRIAC/ELV dimming at 120V only (dimming to 1%)
- Consult Dimming manufacturer for installation instructions - DO NOT SHARE NEUTRALS!
- Must meet dimmer Minimum Load Requirements per dimming manufacturer

TRIAC or ELV Wiring Diagram



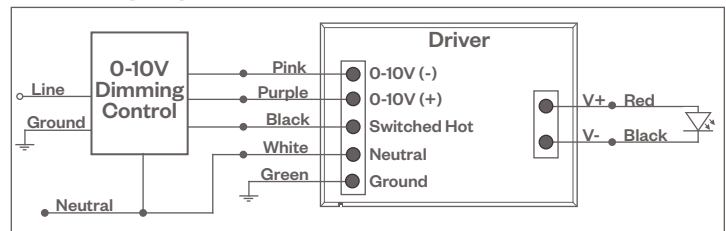
0-10V - DIMMING (-0-10V Option)

Integrates into a variety of building management and daylighting controls

Notes:

- 0-10V dimming at 120V or 277V (dimming to 2%)
- Requires interface to turn off power to driver
- Consult Dimming manufacturer for installation instructions - DO NOT SHARE NEUTRALS!

0-10V Wiring Diagram



Notes:

- * Driver is 277V dimmable with appropriate dimmer (by others). All provided wiring diagrams show 120V wiring colors and method. Please refer to 277V dimmer installation instructions for 277V wiring diagrams.
- † The absence of a dimmer from the lists above does not imply incompatibility. Please consult factory for compatibility inquiries.