

Wall Brackets

PROJECT:

TYPE:

Description

All brackets have a nominal 3" OD tenon for luminaire mounting (except WBRO3), and four holes in the back plate for mounting to the wall. (Wall mounting hardware is not included, due to the wide variety of backing materials. Customer should determine the appropriate anchoring hardware based on the wall material.

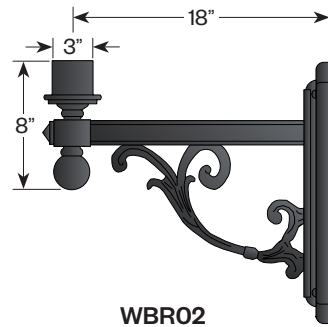
Construction

All wall brackets, with the exception of WBRO3 & WBRO6, are constructed of corrosion resistant cast aluminum (A319 Alloy). WBRO3 & WBRO6 are fabricated brackets.

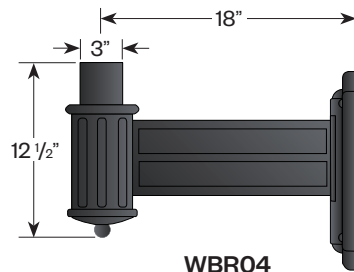
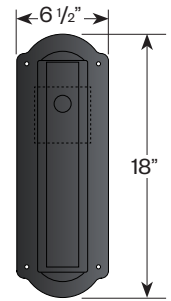
Finish

The bracket will be finished with a premium quality thermoset polyester powdercoat for a durable finish.

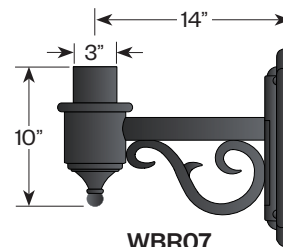
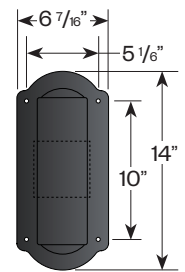
- BLK** - Satin Black
- CLB** - Classic Bronze
- GBZ** - Gloss Textured Bronze
- GRN** - Green
- GTB** - Gloss Textured Black
- TBK** - Textured Black
- TGR** - Gloss Textured Green
- CSTM** - Custom



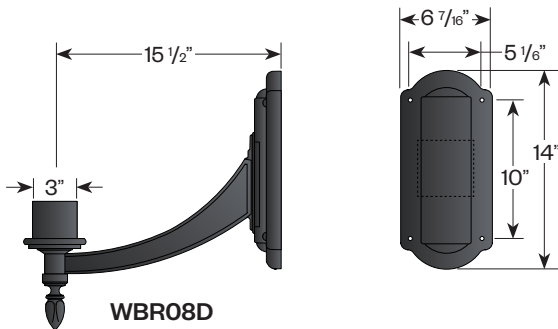
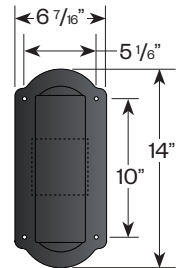
WBRO2



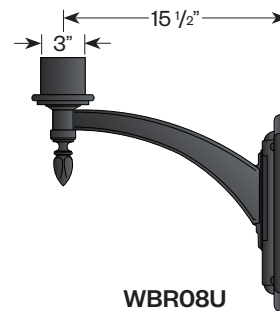
WBRO4



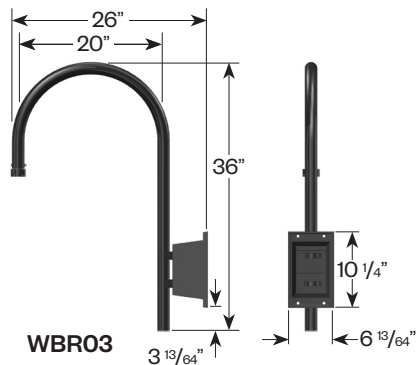
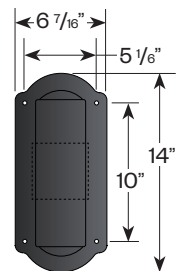
WBRO7



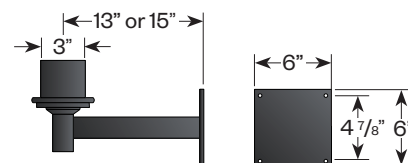
WBRO8D



WBRO8U



WBRO3



WBRO6-13 or WBRO6-15

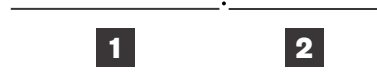
Wall Brackets



PROJECT:

TYPE:

Ordering Information



- 1** Model
WBR02
WBR03
WBR04
WBR06-13
WBR06-15
WBR07
WBR08D
WBR08U

- 2** Finish
BLK - Satin Black
CLB - Classic Bronze
GBZ - Gloss Textured Bronze
GRN - Green
GTB - Gloss Textured Black
TBK - Textured Black
TGR - Gloss Textured Green
CSTM - Custom