

# BR07

Crossarm

## PROJECT:

## TYPE:

### Description

The BR07 Series crossarms feature a strong yet lightweight aluminum design for ease of installation. The series can accommodate a wide variety of fixtures. It is designed to be used on a pole with a min. 4" OD shaft.

### Construction

Crossarms are shipped as a one piece unit as shown. Crossarms are constructed from ASTM 319 aluminum. Exterior hardware is stainless steel and tamper resistant

### Installation

Crossarms will slip fit a 3" OD post top tenon and attach with two rows of 5/16" dia. stainless steel set screws. Crossarms and wall brackets are equipped with 3" O.D. tenons for luminaire mounting.

The wall bracket is constructed of corrosion resistant cast aluminum (A319 Alloy). It has a nominal 3" OD tenon for luminaire mounting, and four holes in the back plate for mounting to the wall. (Wall mounting hardware is not included, due to the wide variety of backing materials. Customer should determine the appropriate anchoring hardware based on the wall material.)

### Finish

The bracket will be finished with a premium quality thermoset polyester powdercoat for a durable finish.

**BLK** - Satin Black

**CLB** - Classic Bronze

**GBZ** - Gloss Textured Bronze

**GRN** - Green

**GTB** - Gloss Textured Black

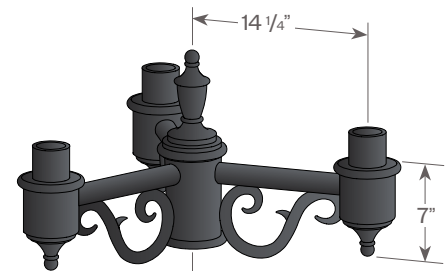
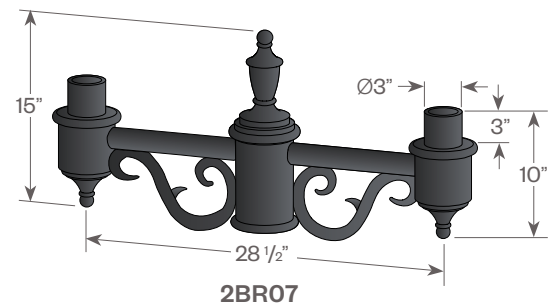
**TBK** - Textured Black

**TGR** - Gloss Textured Green

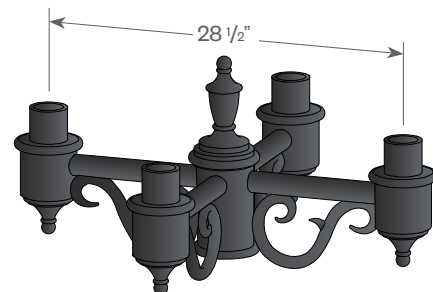
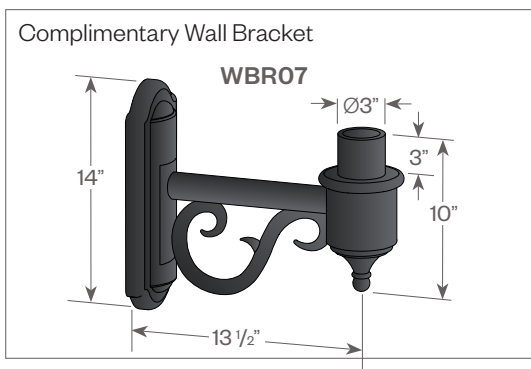
**CSTM** - Custom

### EPA

2BR07: 1.05



Slip fits 3" OD tenon  
3BR07



4BR07

# BR07

Crossarm



**PROJECT:**

**TYPE:**

## Ordering Information

**1**

**2**

**1**

Model

**2BR07**

**3BR07**

**4BR07**

**WBR07** (wall bracket)

**2**

Finish

**BLK** - Satin Black

**CLB** - Classic Bronze

**GBZ** - Gloss Textured Bronze

**GRN** - Green

**TGR** - Gloss Textured Green

**TBK** - Textured Black

**GTB** - Gloss Textured Black

**CSTM** - Custom