

Lunetta

LED Walkway Bollard



LUN10-18.30.SDS

Features

LED integration throughout the site is possible with Amerlux's Lunetta bollard, which includes a highly efficient and long lasting LED array. A straight round 2.5" aluminum pole emanates from the ground and begins to flare until gracefully reaching the recessed light source running around the perimeter. The Lunetta bollard has no visible fasteners or hardware, which adds to its sleek design.

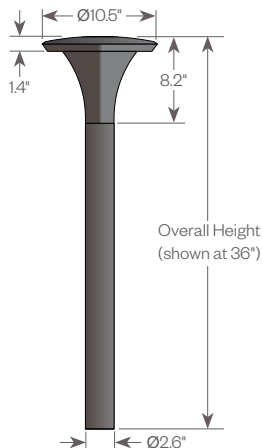
Product Overview

Wattage:	16W
Lumen Output :	1,420 lm (4000K)
Color Temp:	2700K, 3000K, 3500K, 4000K
Dimming:	ELV dimming 0-10V dimming, consult factory
Weight at 24":	6 lbs
Max Height:	42"
Diameter:	10"

PRODUCT DISCONTINUED

PROJECT:

TYPE:



Description:

Lighting for exterior retail and hospitality environment, university and corporate campuses, or any outdoor meeting space.

LED Array:

(40) High brightness SMD LEDs delivering approximately 1,430 lm. Sealed under polycarbonate optical lens, resistant to UV and thermal shock. It runs at approximately 16W.

LED Driver Module:

- Electronic driver operates at 550mA with 120V-277V AC input
- ELV dimming
- Optional 0-10V dimming, consult factory

Materials:

Anchor base - Cast aluminum (356-T6)
 Shaft - Extruded aluminum (6063-T6)
 Cone - Spun aluminum (3003)

ETL listed, suitable for wet locations.

Finish:

Premium quality thermoset polyester powdercoat for a durable finish.

ANT - Anthracite Gray

CLB - Classic Bronze

WHT - White

BLK - Satin Black

SDS - Stardust Silver

CSTM - Custom, consult factory



5 year limited warranty
 AMERLUX LED



PROJECT:

TYPE:

Bollard Ordering Information



- 1** Model
LUN10-18 - 18"
LUN10-24 - 24"
LUN10-30 - 30"
LUN10-36 - 36"
LUN10-42 - 42"

- 2** CCT
27 - 2700K
30 - 3000K
35 - 3500K
40 - 4000K

- 3** Finish
ANT - Anthracite Gray
BLK - Satin Black
CLB - Classic Bronze
SDS - Stardust Silver
WHT - White
CSTM - Custom, consult factory

Anchor Base Ordering Information (must be ordered for complete unit, ordered separately)

LUN10-BASE

- 1**

- 1** Model
LUN10-BASE - Base, subterranean (see diagram next page)

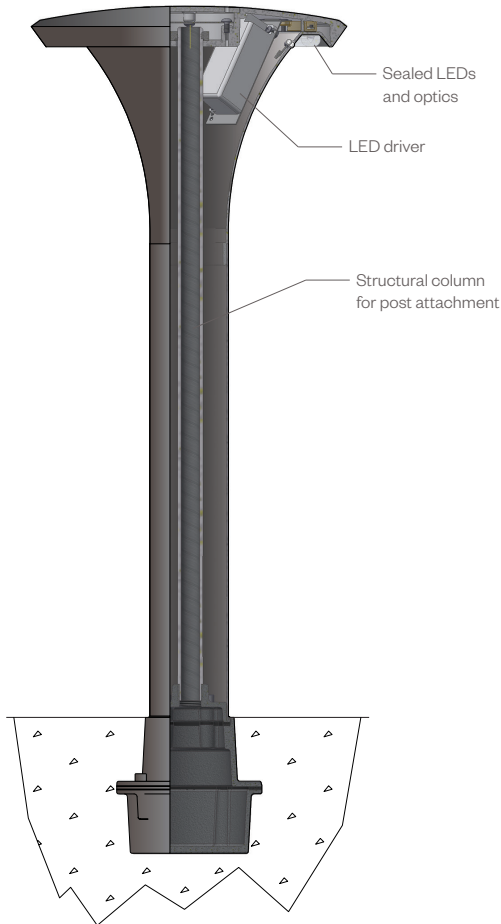
Lunetta

LED Walkway Bollard

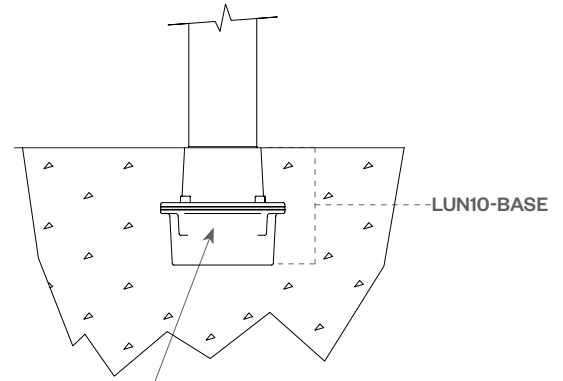
PROJECT:

TYPE:

Cutaway View



Anchorage Details

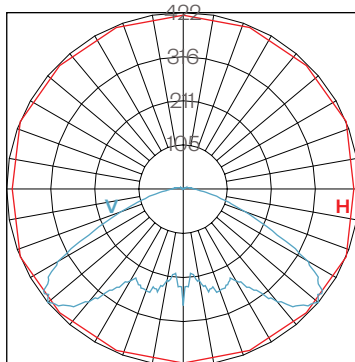


Subterranean, thick-walled sand cast aluminum junction box with two, 1/2" NPT threaded conduit openings in bottom standard, with access for wiring and inspection.

Performance Data

Polar Graph

LUN10 / 3500K /SLV



Maximum Candela = 421.68
 Located At Horizontal Angle = 22.5
 Vertical Angle = 50
 H - Horizontal Axial Candela
 V - Vertical Axial Candela

B1-US-G1

Lumen Performance

Overall Height	CCT	Approx. Lumens Delivered (with SDS finish)	Nominal Input Power
18 (18")	27 (2700K)	1,310 lm	16W
24 (24")	30 (3000K)	1,350 lm	
30 (30")	35 (3500K)	1,380 lm	
36 (36")	40 (4000K)	1,420 lm	
42 (42")			