

Avista® Large Teardrop LED Light Engine



Features

Avista Large Teardrop is an advanced LED light engine for retrofitting traditional and post top luminaires or for new construction. Unique with a completely sealed LED optical chamber, Avista offers cutting-edge optics and extraordinary output.

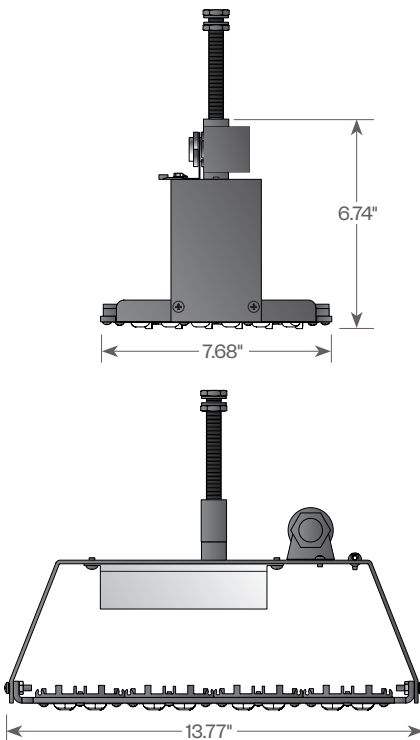
Product Overview

Wattage:	86W
Lumen Output:	up to 10,780 lm
Color Temp:	3000K, 4000K
Dimming:	0-10V dimming



PROJECT:

TYPE:



Application:

Medium teardrop LED light engine for use in roadway, area, and pedestrian environments. Designed for new fixtures or existing as a retrofit.

Optical Module:

The light engine utilizes three IP66 sealed optical modules consisting of a high performance LED board with an acrylic (TIR) lens to deliver maximum spacing and uniformity. A choice of Type 2 (T2), Type 3 (T3), Type 4 (T4), or Type 5 (T5), IES distributions are available with the scalability to meet application criteria. Custom configurations available.

Electrical:

- 12 LEDs per module
- LED Board Drive Current 530mA/600mA
- Universal input voltage 120-277 VAC (50/60Hz)
- Operational Temp: -40°C/40°C
- Power consumption up to 109W
- Series wired 20kV/10kA surge protector (Per ANSI C82,77-5-2015)
- 0-10v dimming is standard
- A 347V/480V option is available

Output:

- TDL4/530M/30 up to 8,900 lm
- TDL4/530M/40 up to 9,630 lm
- TDL4/600M/30 up to 9,960 lm
- TDL4/600M/40 up to 10,780 lm

Light Distribution:

- Type II (T2)
- Type III (T3)
- Type IV (T4)
- Type V (T5)

CCT:

- 3,000K (30)
- 4,000K (40)



5 year limited warranty
AMERLUX LED



Electrostatic sensitive device, observe precautions for handling.

Avista[®] Large Teardrop

LED Light Engine



PROJECT:

TYPE:

Ordering Information



- 1** Model
TDL4
- 2** Light Distribution
T2 - Type II
T3 - Type III
T4 - Type IV
T5 - Type V
- 3** CCT
30 - 3000K
40 - 4000K
- 4** Driver Output
530M - 530 mA
600M - 600 mA
- 5** Voltage
120-277V (standard)
347V/480V

