

Avista® Medium Teardrop

LED Light Engine



Features

Avista Medium Teardrop is an advanced LED light engine for retrofitting traditional and post top luminaires or for new construction. Unique with a completely sealed LED optical chamber, Avista offers cutting-edge optics and extraordinary output.

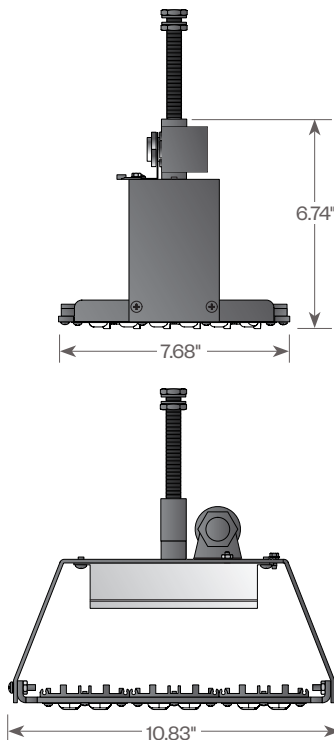
Product Overview

Wattage:	64W max
Lumen Output:	up to 8,190 lm
Color Temp:	3000K, 4000K
Dimming:	0-10V dimming



PROJECT:

TYPE:



Application:

Medium teardrop LED light engine for use in roadway, area, and pedestrian environments. Designed for new fixtures or existing as a retrofit.

Optical Module:

The light engine utilizes three IP66 sealed optical modules consisting of a high performance LED board with an acrylic (TIR) lens to deliver maximum spacing and uniformity. A choice of Type 2 (T2), Type 3 (T3), Type 4 (T4), or Type 5 (T5), IES distributions are available with the scalability to meet application criteria. Custom configurations available.

Electrical:

- 12 LEDs per module
- LED Board Drive Current 530mA/600mA
- Universal input voltage 120-277 VAC (50/60Hz)
- Operational Temp: -40°C/40°C
- Power consumption up to 84W
- Series wired 20kV/10kA surge protector (Per ANSI C82.77-5-2015)
- 0-10v dimming is standard
- A 347V/480V option is available

Output:

- **TDL3/530M/30** up to 6,770 lm
- **TDL3/530M/40** up to 7,320 lm
- **TDL3/600M/30** up to 7,580 lm
- **TDL3/600M/40** up to 8,190 lm

Light Distribution:

- Type II (T2)
- Type III (T3)
- Type IV (T4)
- Type V (T5)

CCT:

- 3,000K (30)
- 4,000K (40)



5 year limited warranty
AMERLUX LED



Electrostatic sensitive device, observe precautions for handling.

Avista[®] Medium Teardrop

LED Light Engine



PROJECT:

TYPE:

Ordering Information

TDL3

1

2

3

4

5

1

Model

TDL3

2

Light Distribution

T2 - Type II

T3 - Type III

T4 - Type IV

T5 - Type V

3

CCT

30 - 3000K

40 - 4000K

4

Driver Output

530M - 530 mA

600M - 600 mA

5

Voltage

120-277V (standard)

347V/480V

