

Cylindrix[®] III Mini

High performance. Brilliant colors. Crispest whites.

Cylindrix® III Mini



Designed in a sleek, diminutive architectural size, Cylindrix III Mini (C3Mini) is designed with a discreet heat sink and is passively cooled. Creating a significant impact by delivering a high level of center beam candle power (CBCP), brilliant color and crisp whites, this innovative, high-power accent creates attention where attention is needed.

For most updated performance & ordering information visit us at amerlux.com.

Features & Specs

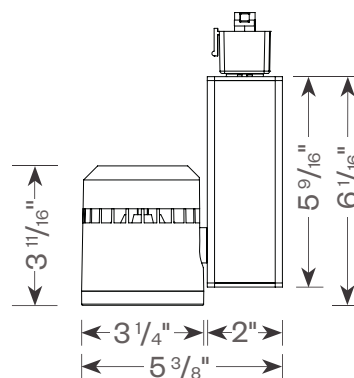
- Driver housing configurations: Vertical, Horizontal
- 21w
- Up to 1,850 Lm; 89.6 Lm/w
- Beam spreads 14° – 44°
- Crisp White LED available
- CRI: 83 typ. (2700K, 3000K, 3500K, 4000K)
97 typ. (2200K, 2700K, 3000K)
- Binning: 3 MacAdam
- Electronic constant current LED driver, 120v or 277v
- Dimming options:
ELV and TRIAC, 120v only (standard)

Models

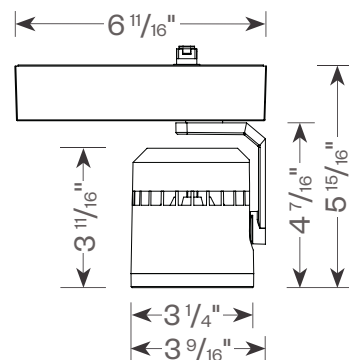
- Cylindrix III Mini (C3MV)
- Cylindrix III Mini Horizontal (C3MH)

Related Products

- Cylindrix III Mini Multiples



C3MV



C3MH

DKNY





5220 Shank Road, Pearland, TX 77581
T: 281.997.5400 | F: 281.997.5441

Headquarters
178 Bauer Drive, Oakland, NJ 07436
T: 973.882.5010 | F: 973.882.2605

amerlux.com
© 2015 Amerlux, LLC

Oxidated Carpark 2nd Floor
No. 124 Donghuan Road, Donghuan Jie Panyu,
Guangzhou P.R.C. 511400