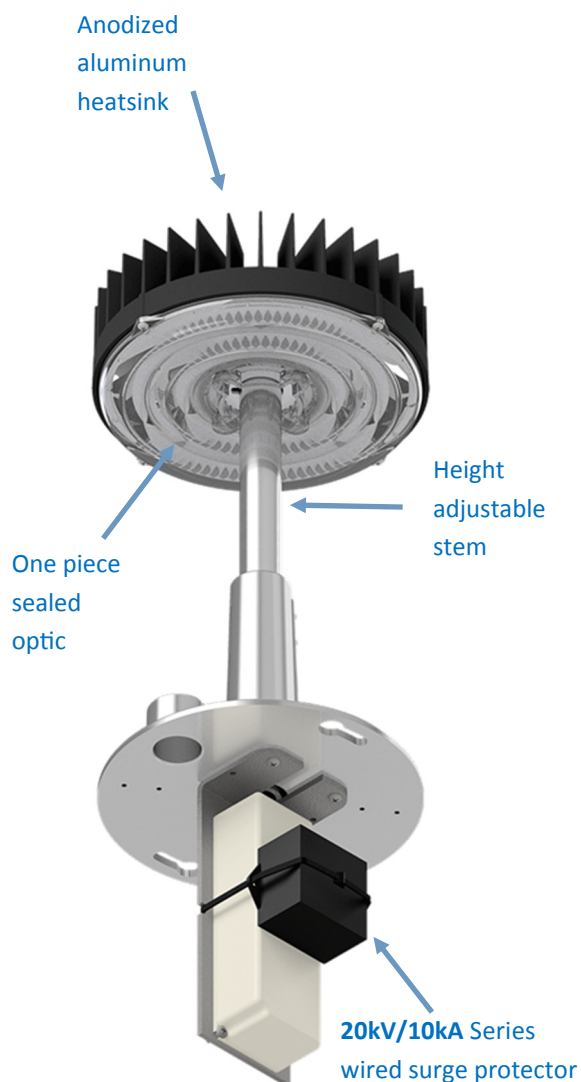


Avista®

Post Top Light Engine/Retrofit 3rd Generation (AVI-G3)



Features & Benefits

- Engineered LED Lighting solution for decorative post top fixtures and pendants.
- Flexible, Efficient, High Performance Solution with Type III, IV or V optical choices
- Designed to work in a variety of post top fixtures from many different manufacturers
- More than 95% of the light from the engine is directed downward toward the target.
- Corn cob style lamps and several other retrofits emanate light in all directions with up to 50% of the light lost into the upper hemisphere.
- Meets DLC 5.1 Criteria

Performance Summary

- 15% (avg) efficacy increase from AVI2
- Up to 40% increase in top level output

See page 2 for detailed output comparison

Avista Light Engine Output Comparison

AVI-G3								
Model	Distribution	CCT	Power Level	System Watts	Engine Lumens	LPW		
AVI-G3	SY	27	P1	30	3651	123		
		30			4034	136		
		40			4246	143		
		AS			27	3505	118	
					30	3872	130	
					40	4076	137	
		SO			27	3296	111	
					30	3579	121	
					40	3883	131	
	SY	P2	44	44	5245	119		
					5794	132		
					6099	139		
					AS	27	5035	114
						30	5562	126
						40	5855	133
					SO	27	4654	106
						30	5141	117
						40	5412	123
	SY	P3	61	61	7026	116		
					7762	128		
					8170	135		
					AS	27	6745	111
						30	7451	123
						40	7843	130
					SO	27	6235	103
						30	6887	114
						40	7249	120
	SY	P4	86	86	9411	109		
					10394	121		
					10943	127		
					AS	27	9035	105
						30	9980	116
						40	10505	122
SO					27	8595	100	
					30	9494	110	
					40	9994	116	

AVI2								
Model	Distribution	CCT	Power Level	System Watts	Engine Lumens	LPW		
AVI2	SY	27	500M	27	3057	113		
		30			3114	115		
		40			3407	126		
		AS			27	2946	109	
					30	3000	111	
					40	3142	116	
	SO	27	3009	111				
		30	3065	114				
		40	3218	119				
	SY	700M	38	38	4114	108		
					4189	110		
					4585	121		
					AS	27	3833	101
						30	3904	103
						40	4089	108
					SO	27	4054	107
						30	4129	109
						40	4334	114
	SY	1200M	68	68	7131	105		
					7263	107		
					7533	111		
					AS	27	6862	101
30						6989	103	
40						7318	108	
SO					27	7012	103	
					30	7142	105	
					40	7500	110	

AVI-G3 Performance Upgrades

- 15% (Avg) Efficacy Improvement over AVI2
- Up to 40% higher output available compared AVI2