



Acion

Small accent light. Mega Brilliance.



Yoke Mount

Acion Accent Family

Recently redesigned, this refreshed exterior accent is perfect for lighting landscapes, including small signs and features. Even with low wattage and low output, Acion makes your select targets shine, with precise optics. No light is wasted. For form, for function, and for cost savings, Acion is a landscape architect's ultimate design tool.

For most updated performance & ordering information visit us at amerlux.com.

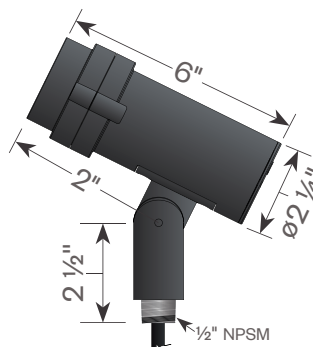
Features & Specs

- 10W (ACCS)
17W (ACCL)
- Up to 1,500 Lm
- Beam spreads 10°-60°
- IP67 rated sealed optical and integral driver chamber
- Easy "two-screw" integral driver access (does not disturb optical chamber seal)
- Flush lens prevents puddles/water deposits in upward facing applications
- CRI: 80 (2700K, 3000K, 3500K)
70 (4000K)
- Drive current: 700mA
- Input voltage 120-277V auto-sensing
- 1/2" NPSM wire entry
- Dimming: ELV (120V only)
- Yoke or knuckle mount available

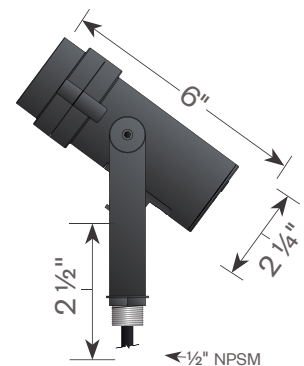
Acion Small Accent (ACCS)



Knuckle Mount



knuckle mount



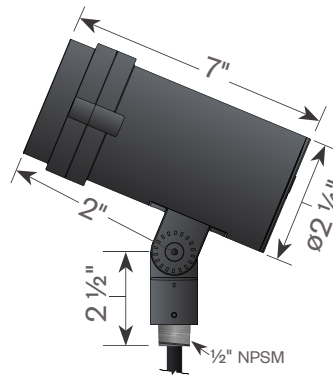
yoke mount



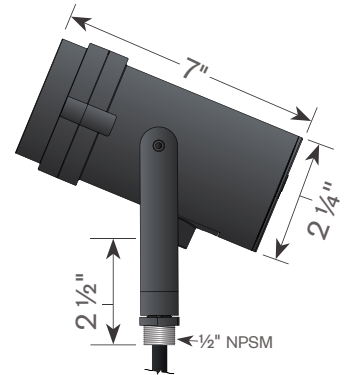
Acion Large Accent (ACCL)



Knuckle Mount



knuckle mount



yoke mount

Company Certifications



3450 South Sam Houston Pkwy E, Suite 400
Houston, TX 77047
T: 281.997.5400 | F: 281.997.5441

Headquarters
178 Bauer Drive, Oakland, NJ 07436
T: 973.882.5010 | F: 973.882.2605

amerlux.com
© 2016 Amerlux, LLC

Oxidated Carpark 2nd Floor
No. 124 Donghuan Road, Donghuan Jie Panyu,
Guangzhou P.R.C. 511400